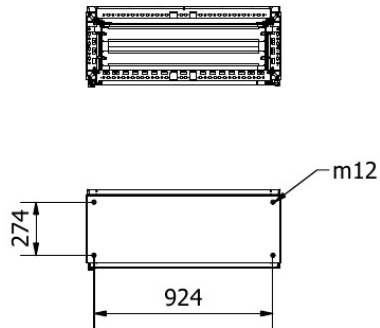


N-N (1 : 25)



system of cabinets suitable to be joined together to built up multiple suites. The strong full welded frame structure, for plinth mounting, is made of punched drawn mild steel uprights full-welded together; bottom with cable inlet plate, top, side and rear walls are screwed to the basic frame. Available with solid door and window door, equipped with/without internal door. Depth-adjustable Mpl in galvanized steel 2,5 mm.

EMS-18104

Ralston Metal Products Ltd