

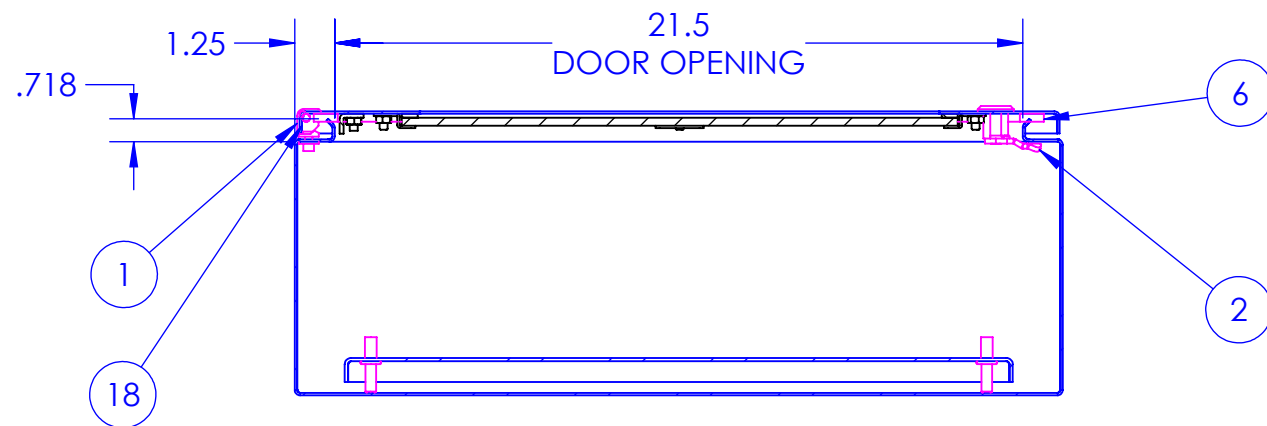
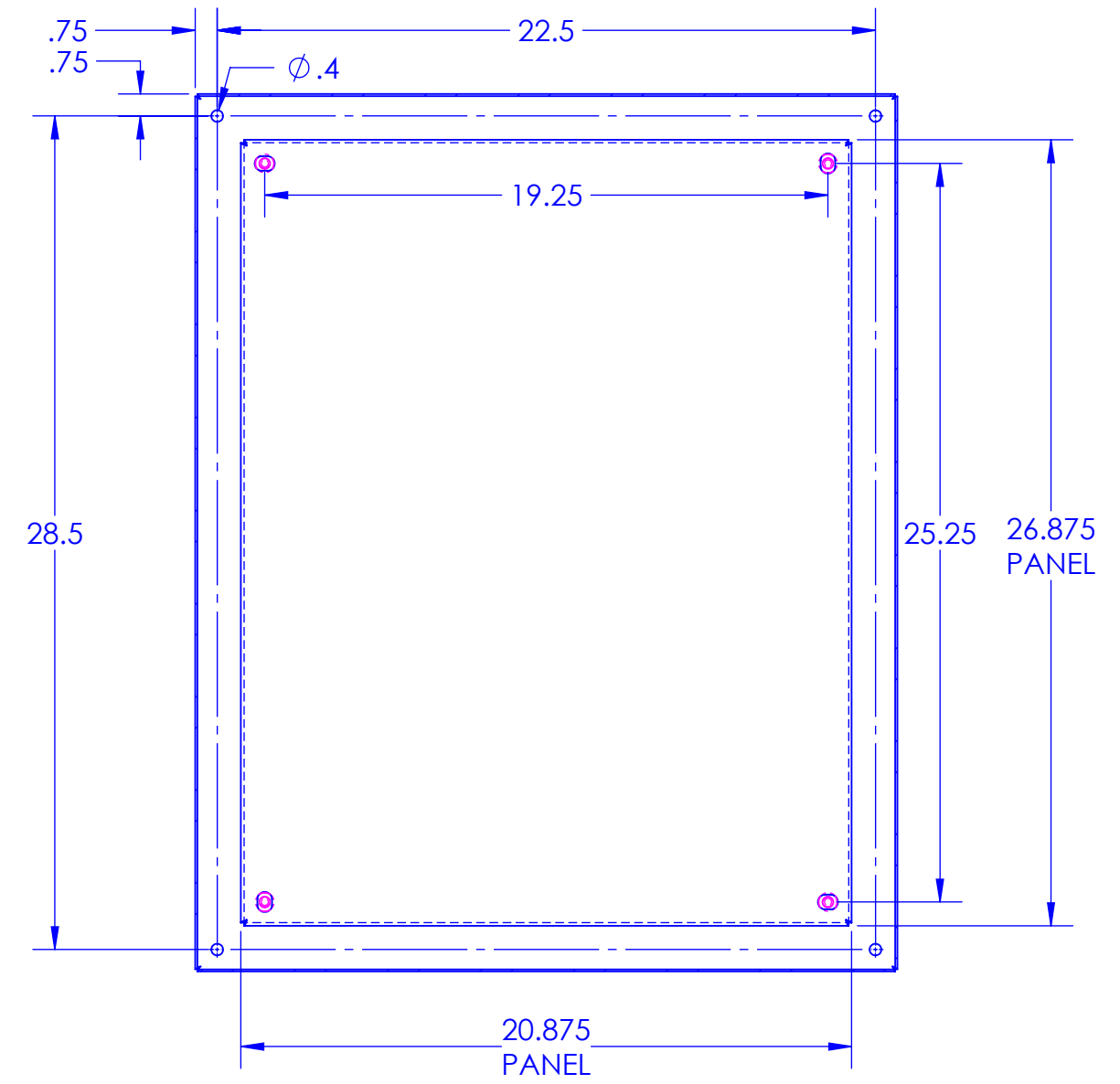
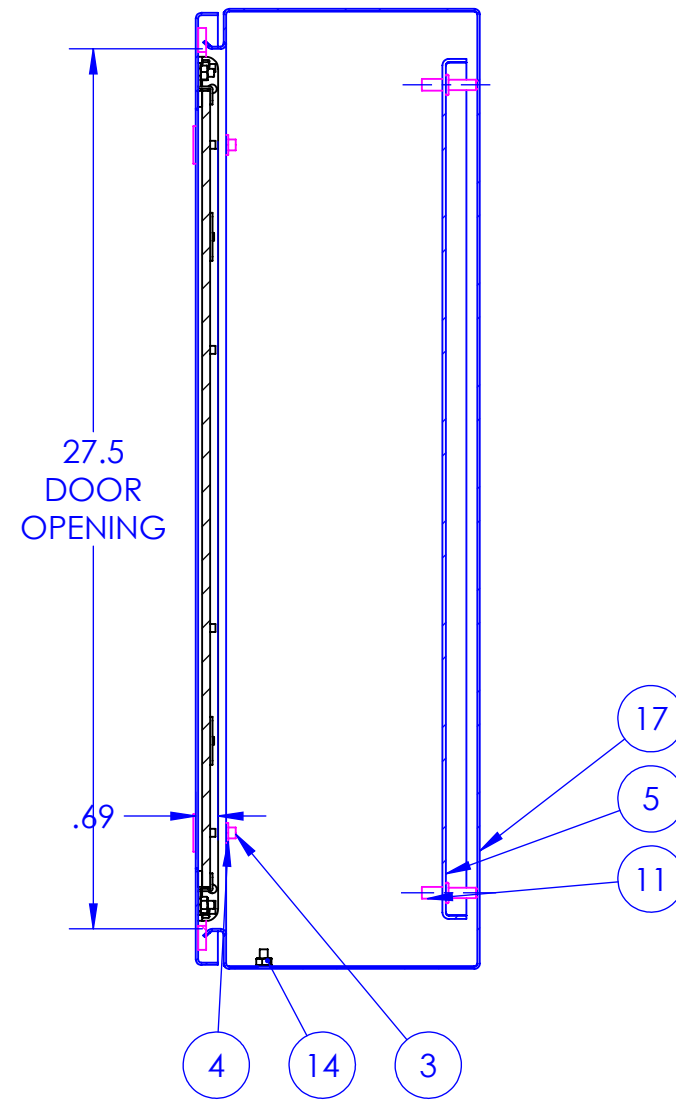
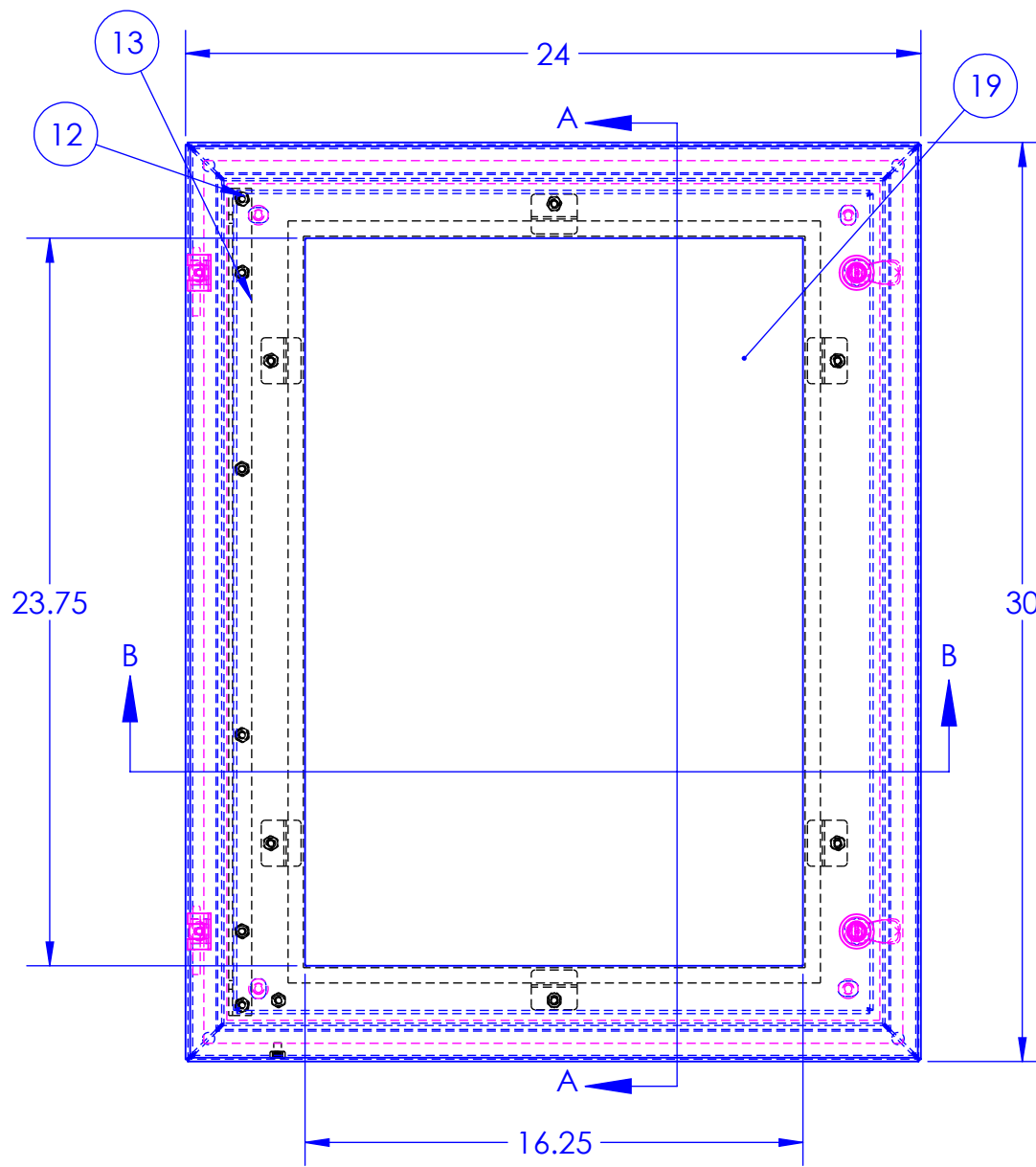
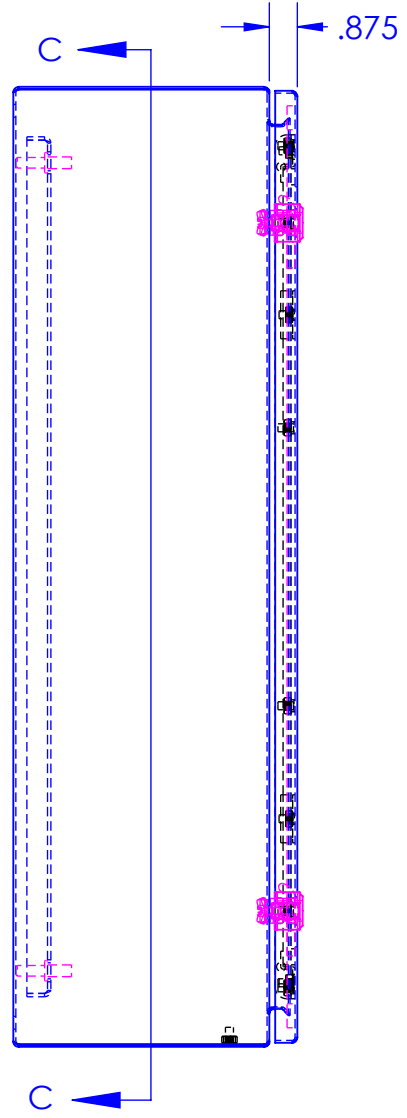
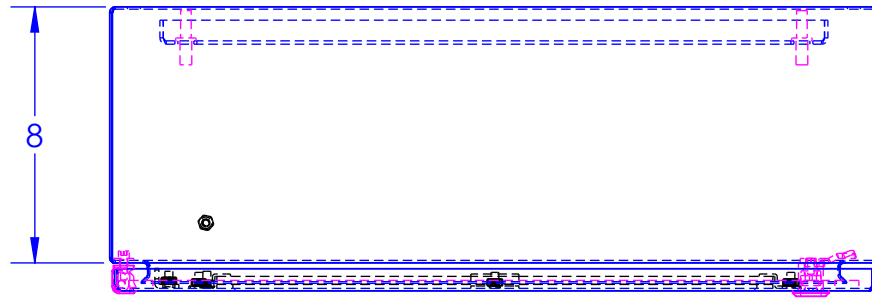
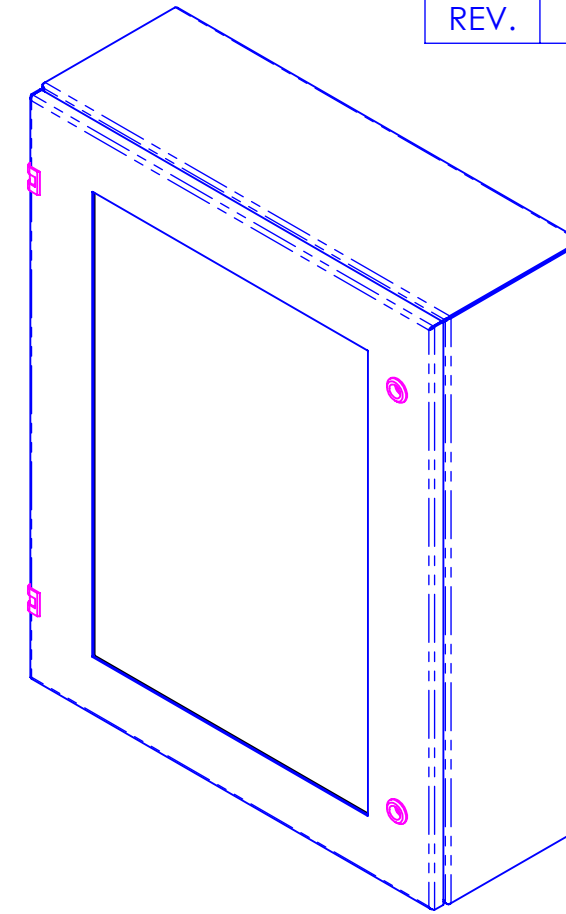
4

3

2

1

REVISIONS			
REV.	DESCRIPTION	DATE	APPROVED



PROPRIETARY AND CONFIDENTIAL THE INFORMATION CONTAINED IN THIS DRAWING IS THE SOLE PROPERTY OF RALSTON METAL PRODUCTS. ANY REPRODUCTION IN PART OR AS A WHOLE WITHOUT THE WRITTEN PERMISSION OF RALSTON METAL PRODUCTS IS PROHIBITED. UNLESS OTHERWISE SPECIFIED DIMENSIONS ARE IN INCHES TOLERANCES: FRACTIONAL ± 1/32" ANGULAR ± MACH 1" ONE PLACE DECIMAL ± 0.1" TWO PLACE DECIMAL ± 0.01" THREE PLACE DECIMAL ± 0.005" MATERIAL:	NAME: _____ DATE: 2023-03-02	 50 WATSON ROAD QUELPS, ONTARIO N7L 1E2 PHONE: (519) 836-2969 TOLL FREE: 1-800-265-7611 FAX: (519) 836-9793 WWW.RALSTONMETAL.COM
	DRAWN BY: DAVE BURNS ISSUED BY: DAVE BURNS JOB ORDER NO: _____	
SEE BOM FINISH: _____ SEE BOM DO NOT SCALE DRAWING	THIRD ANGLE PROJECTION	CUSTOMER: RALSTON STOCK SHOP DRAWING NUMBER: _____ SIZE: _____ PART NAME: _____ REV: _____ C V-SW-302408 PART NO. V-SW-302408 WEIGHT: 71.158 SCALE: 1:6 SHEET 1 OF 1

4

3

2

1