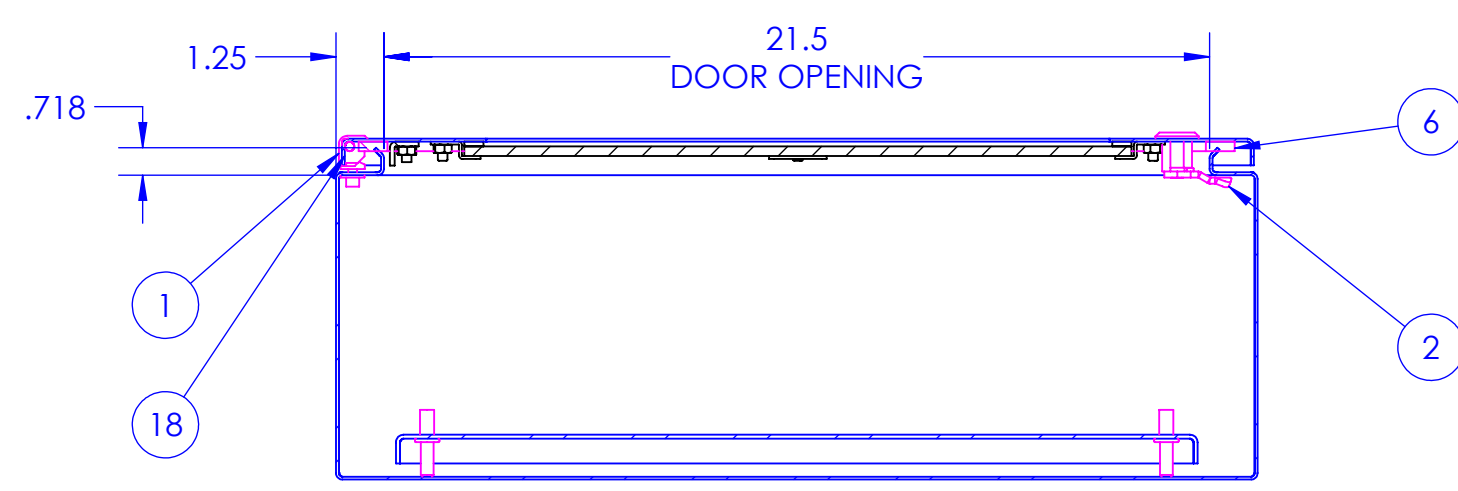
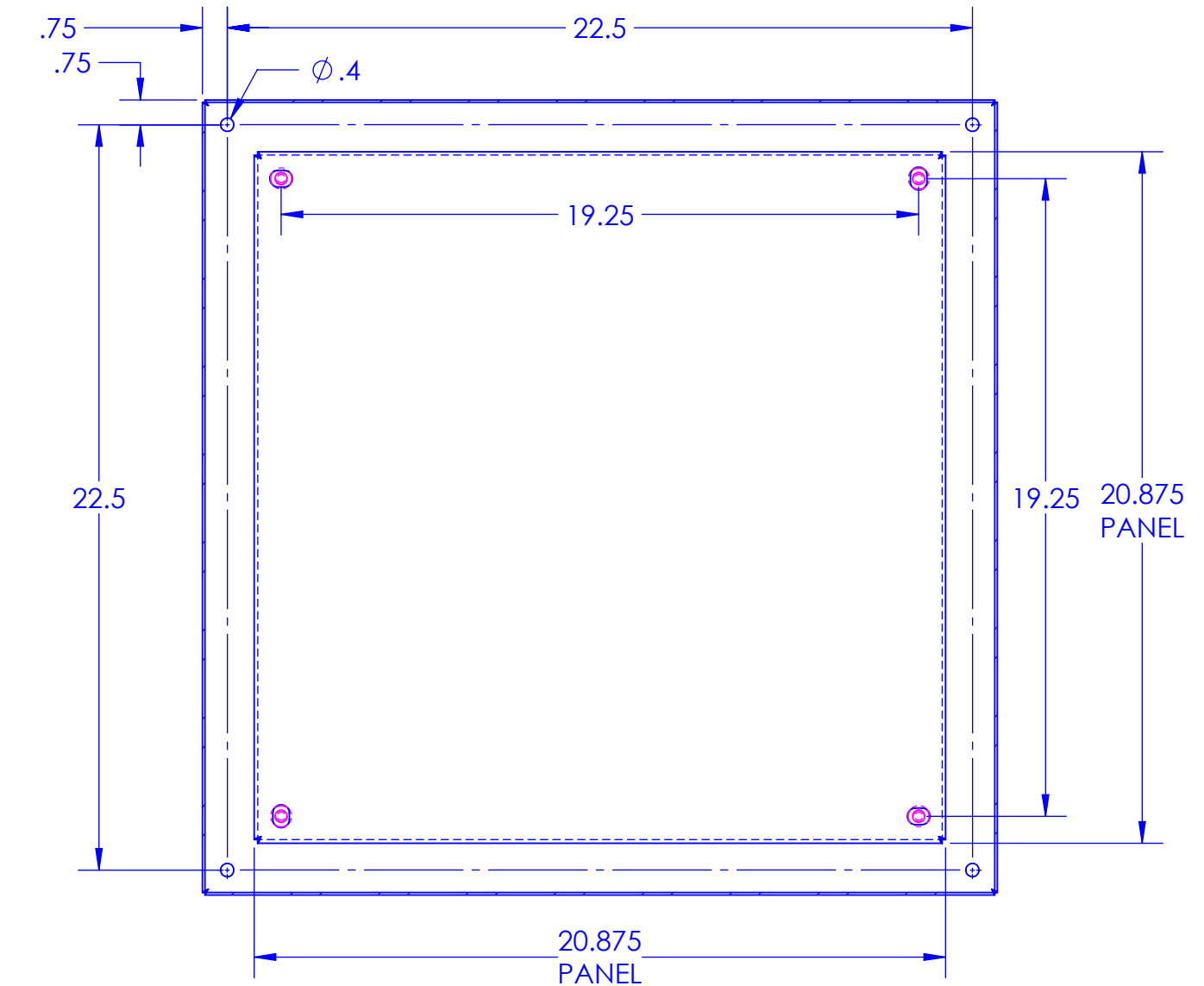
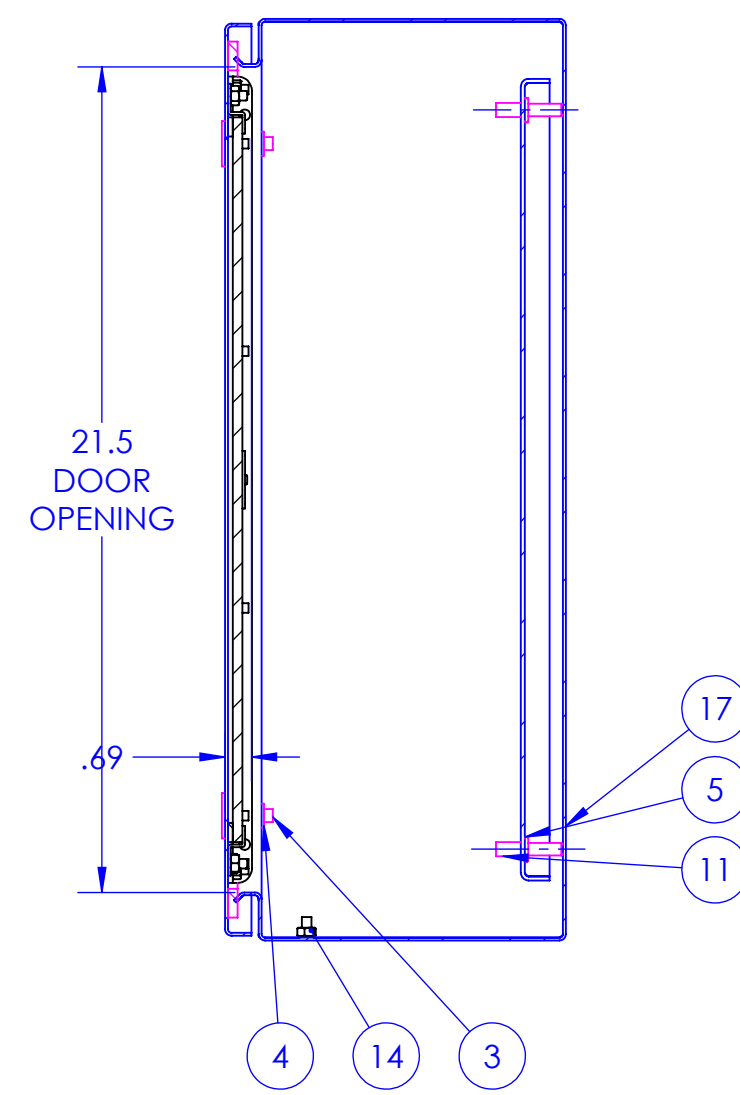
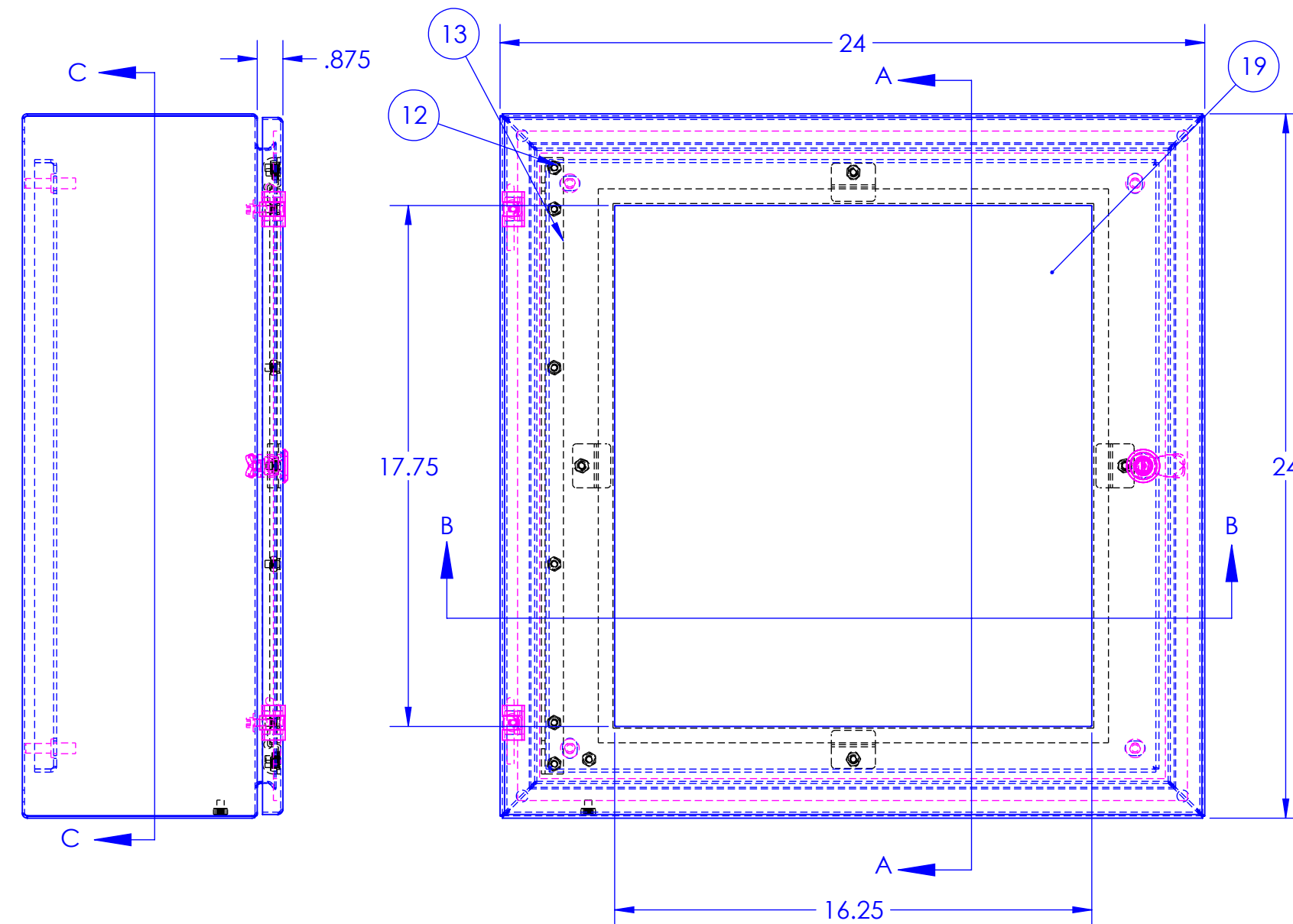
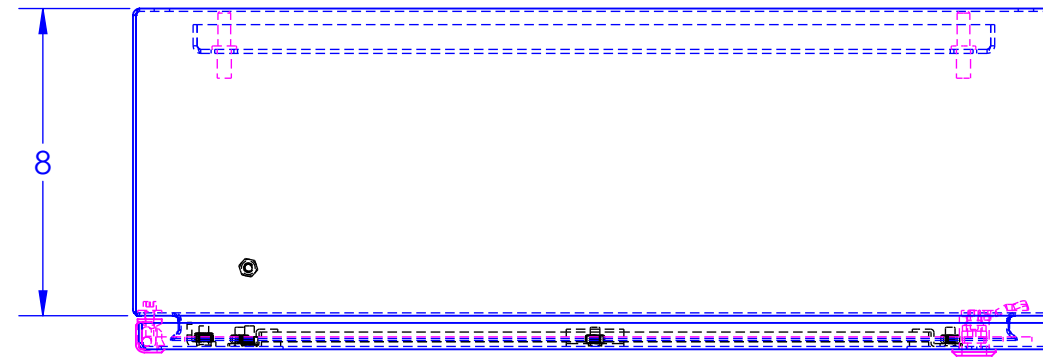
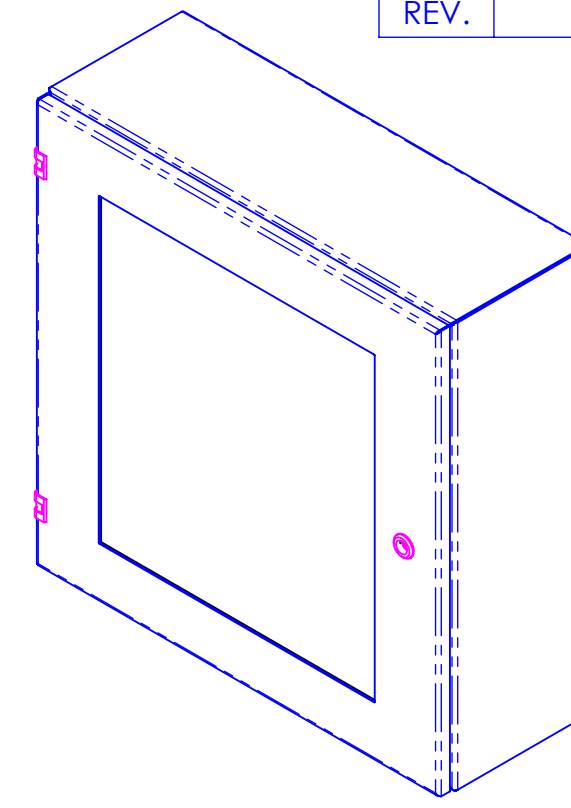


REVISIONS			
REV.	DESCRIPTION	DATE	APPROVED



<b>PROPRIETARY AND CONFIDENTIAL</b> THE INFORMATION CONTAINED IN THIS DRAWING IS THE SOLE PROPERTY OF RALSTON METAL PRODUCTS. ANY REPRODUCTION IN PART OR AS A WHOLE WITHOUT THE WRITTEN PERMISSION OF RALSTON METAL PRODUCTS IS PROHIBITED.  <b>UNLESS OTHERWISE SPECIFIED</b> DIMENSIONS ARE IN INCHES TOLERANCES: FRACTIONAL ± 1/32" ANGULAR ± 0.01° ONE PLACE DECIMAL ± 0.1" TWO PLACE DECIMAL ± 0.01" THREE PLACE DECIMAL ± 0.005" MATERIAL:	NAME: DAVE BURNS DATE: 2023-03-02 ISSUED BY: DAVE BURNS 2023-03-02 JOB ORDER NO:	88 WATSON ROAD QUELUP, ONTARIO N7L 1E2 PHONE: (519) 836-2969 TOLL FREE: 1-800-265-7611 FAX: (519) 836-9793 <b>Ralston</b> Metal Products Limited www.RALSTONMETAL.COM
	CUSTOMER DRAWING NO:  (AUTHORIZED SIGNATURE IN RED) 	CUSTOMER: RALSTON STOCK SHOP DRAWING NUMBER:
SEE BOM FINISH: SEE BOM DO NOT SCALE DRAWING	THIRD ANGLE PROJECTION 	