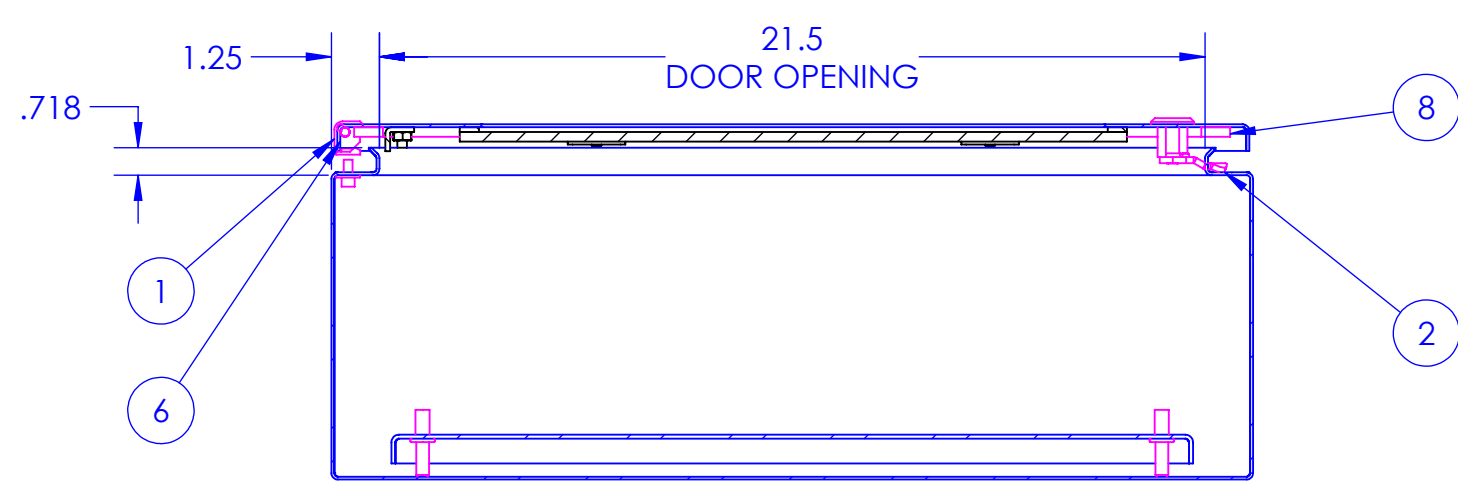
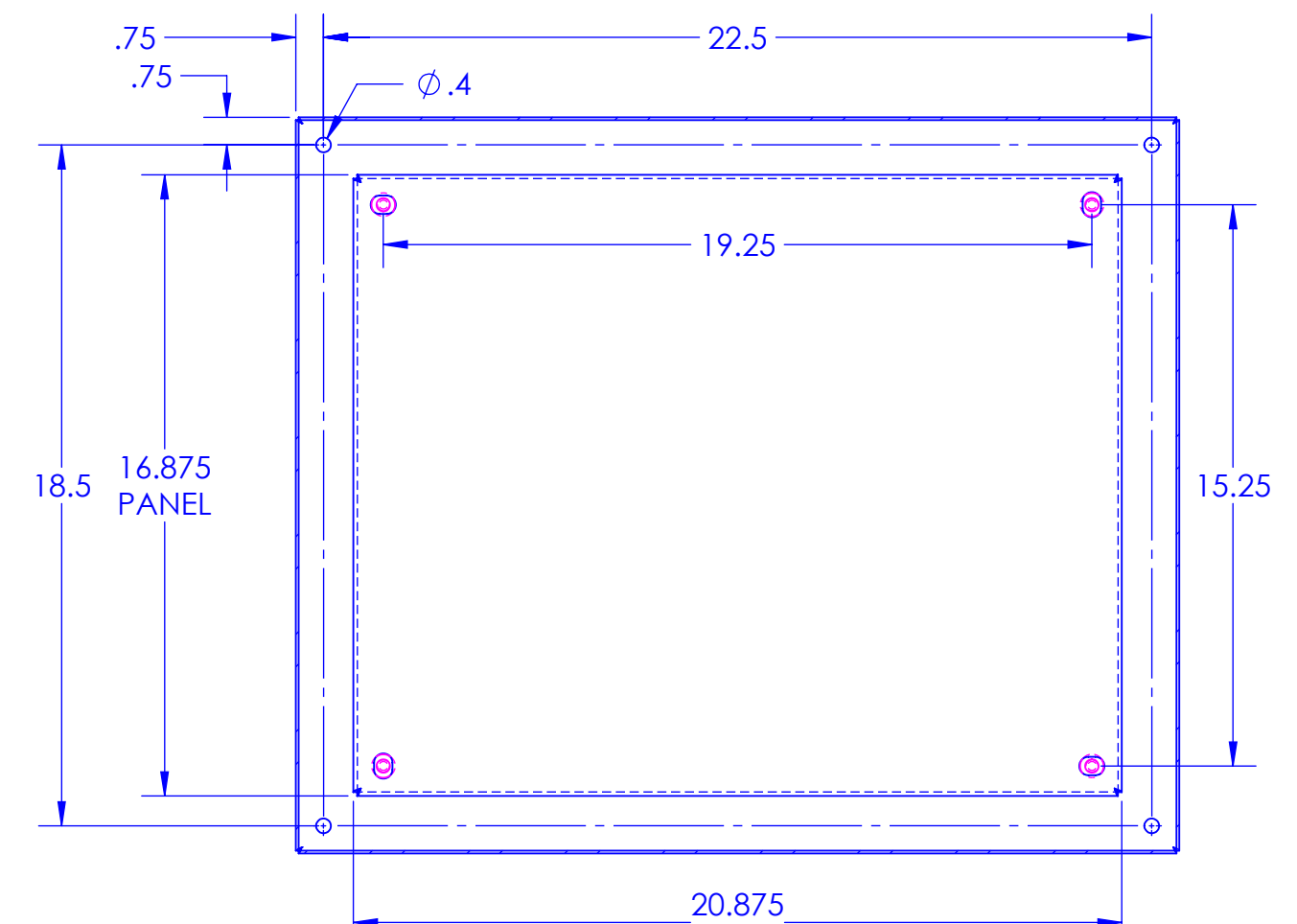
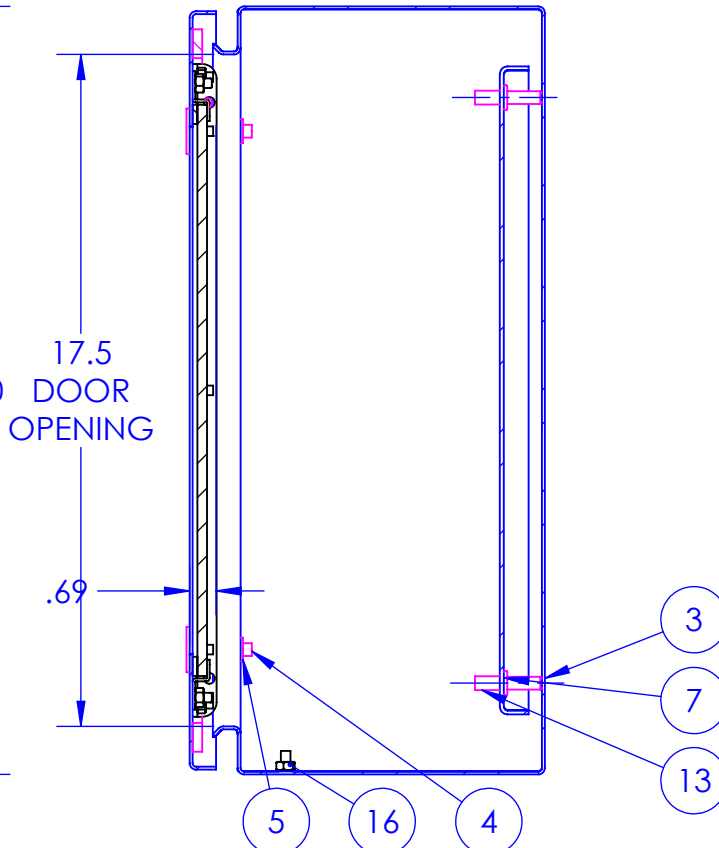
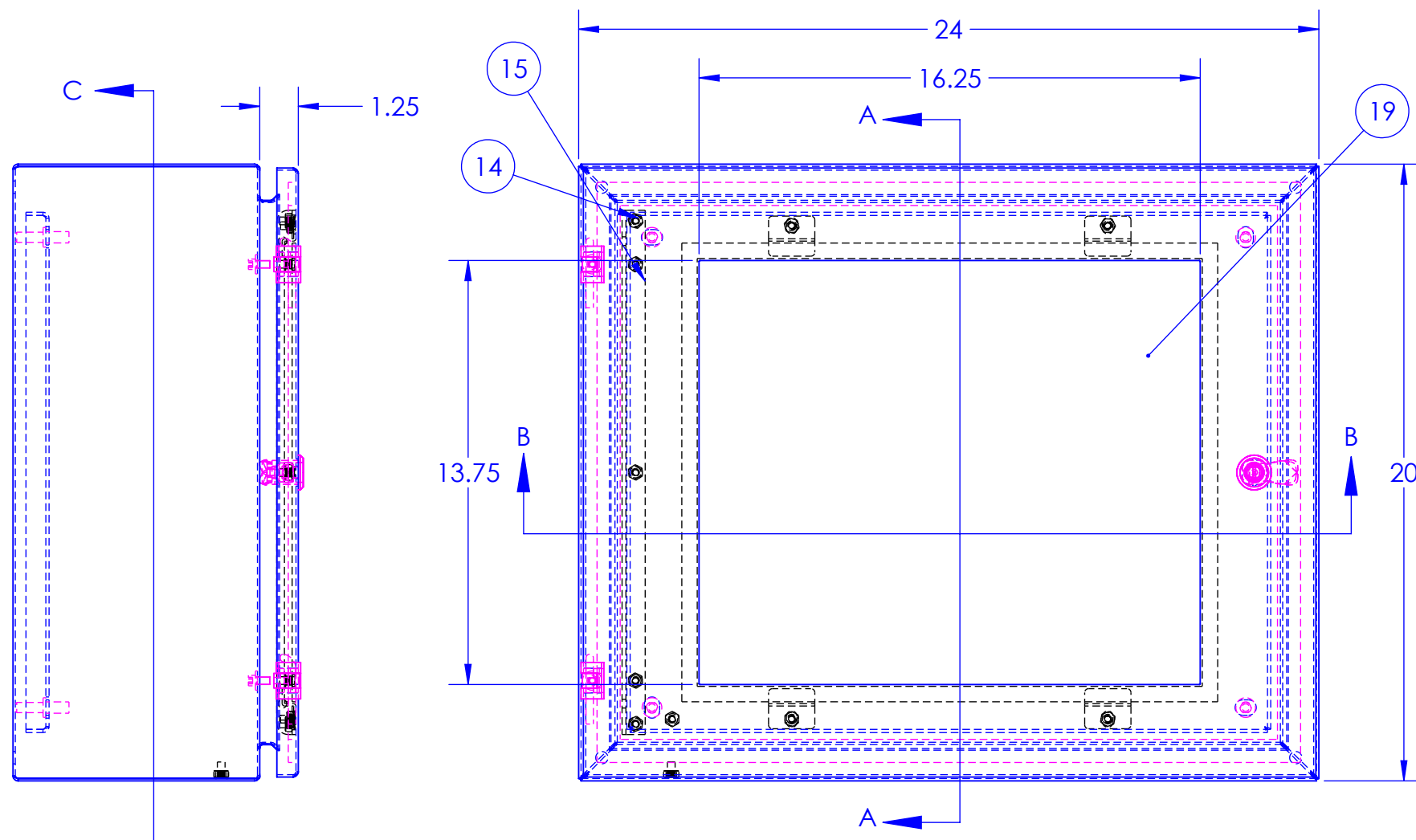
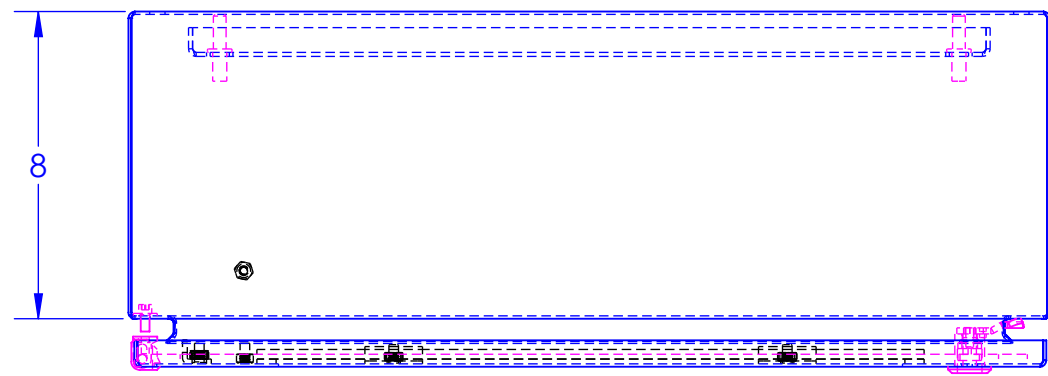
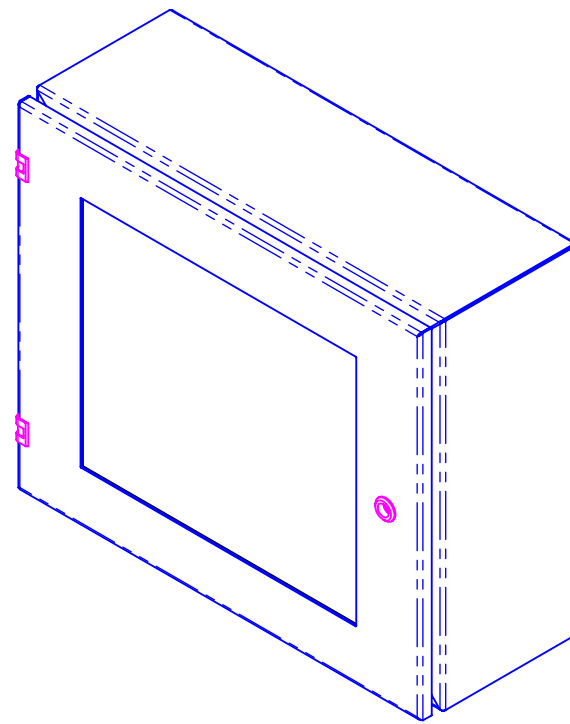


REVISIONS			
REV.	DESCRIPTION	DATE	APPROVED



PROPRIETARY AND CONFIDENTIAL
THE INFORMATION CONTAINED IN THIS DRAWING IS THE SOLE PROPERTY OF RALSTON METAL PRODUCTS. ANY REPRODUCTION IN PART OR AS A WHOLE WITHOUT THE WRITTEN PERMISSION OF RALSTON METAL PRODUCTS IS PROHIBITED.

UNLESS OTHERWISE SPECIFIED
DIMENSIONS ARE IN INCHES
TOLERANCES:
FRACTIONAL ± 1/32"
ANGULAR ± MACH 1"
ONE PLACE DECIMAL ± 0.1"
TWO PLACE DECIMAL ± 0.01"
THREE PLACE DECIMAL ± 0.005"
MATERIAL:
SEE BOM
FINISH:
SEE BOM
DO NOT SCALE DRAWING

NAME: DAVE BURNS
DATE: 2023-03-02
ISSUED BY: DAVE BURNS
JOB ORDER NO:

CUSTOMER DRAWING NO:

(AUTHORIZED SIGNATURE IN RED)

80 WATSON ROAD
QUELPS, ONTARIO N1L 1E2
PHONE: (519) 836-2969
TOLL FREE: 1-800-265-7611
FAX: (519) 836-9793

Ralston
Metal Products Limited

CUSTOMER:
RALSTON STOCK
SHOP DRAWING NUMBER:

SIZE: PART NAME: REV.
C V-SW-202408

PART NO. V-SW-202408
WEIGHT: 50.928
SHEET 1 OF 1