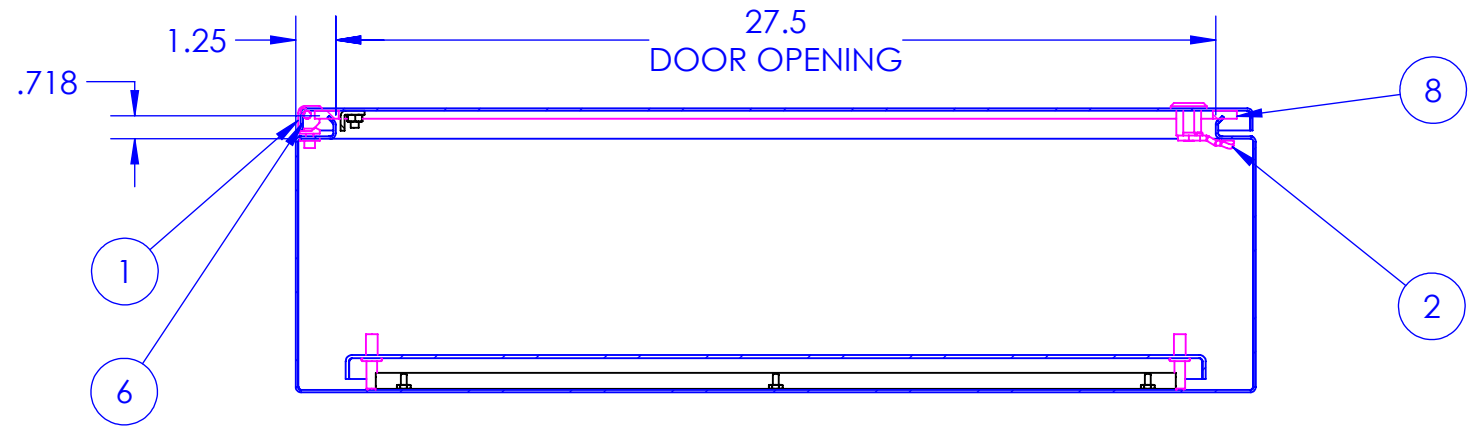
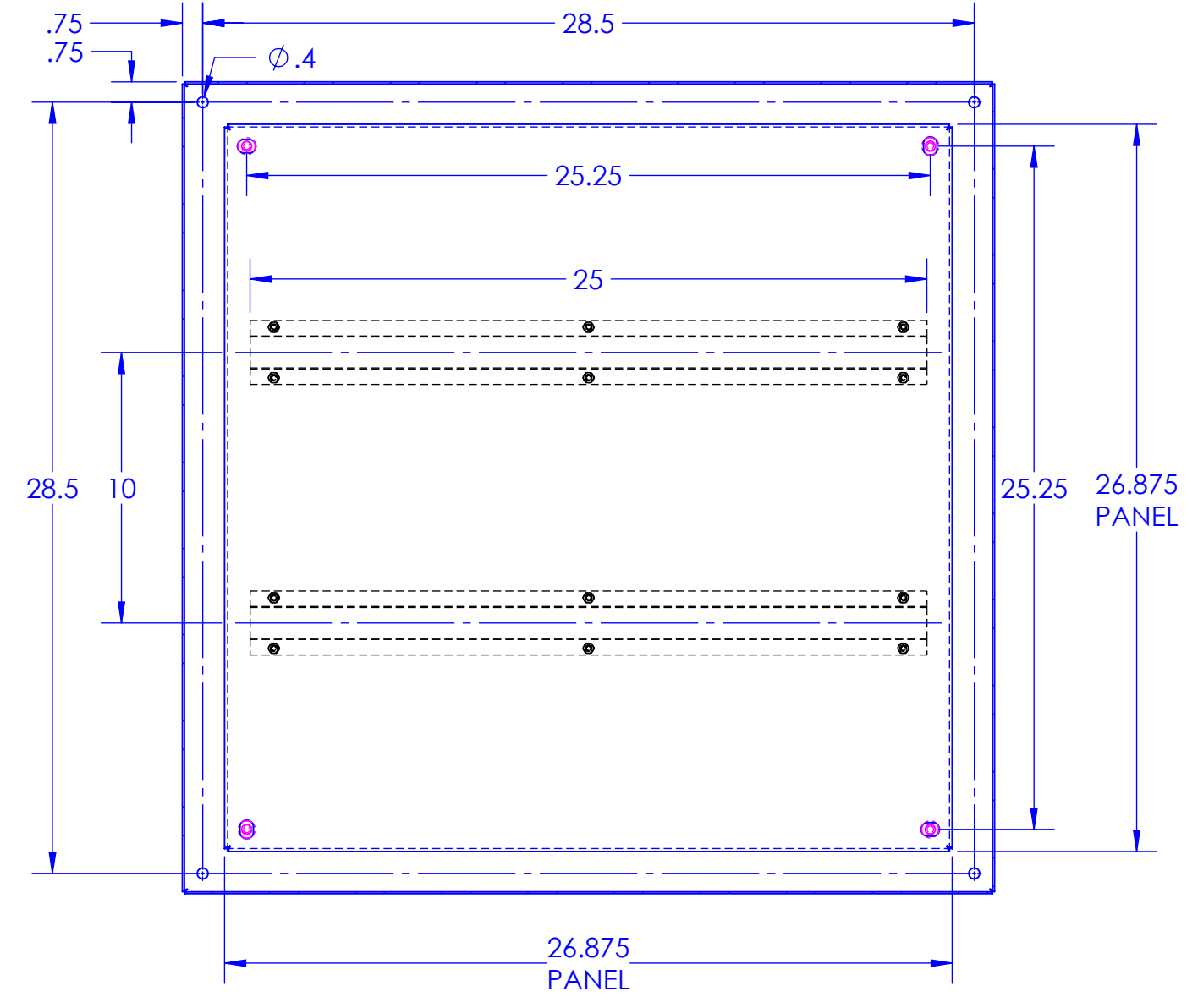
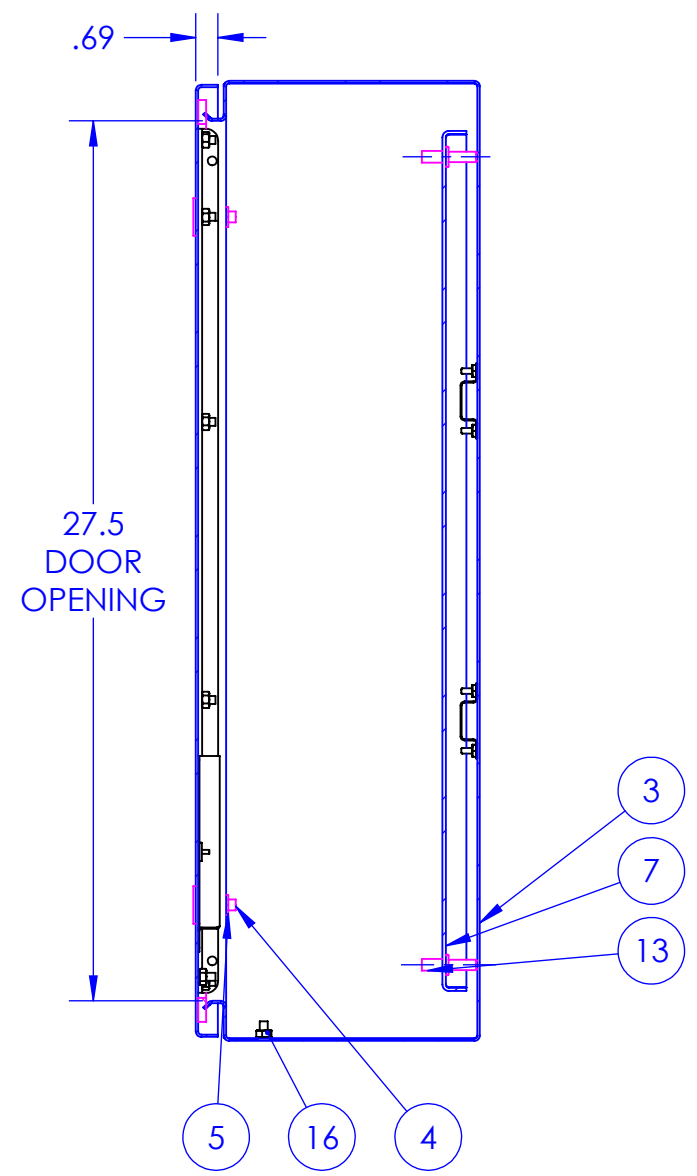
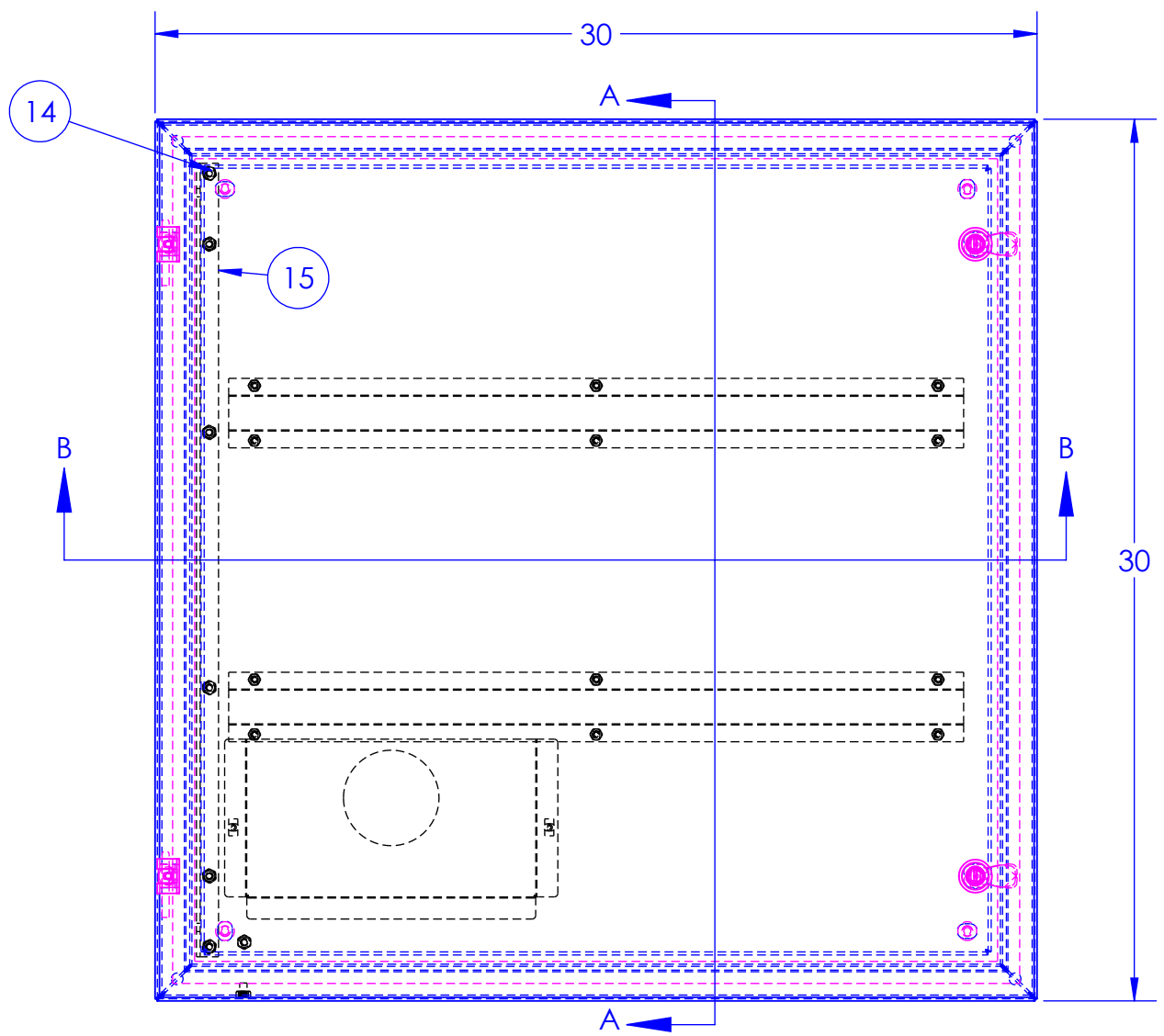
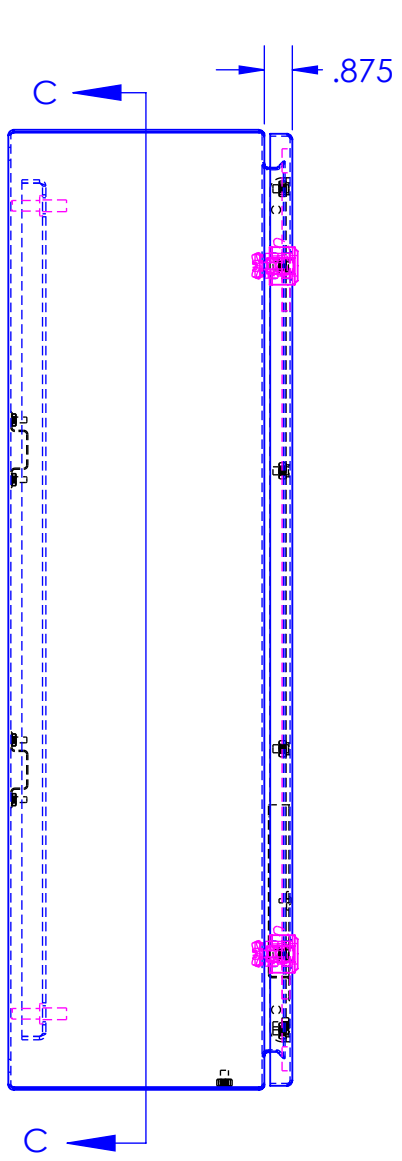
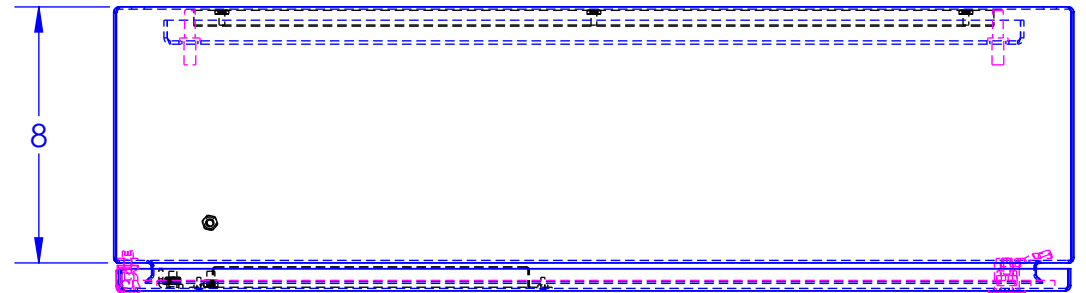
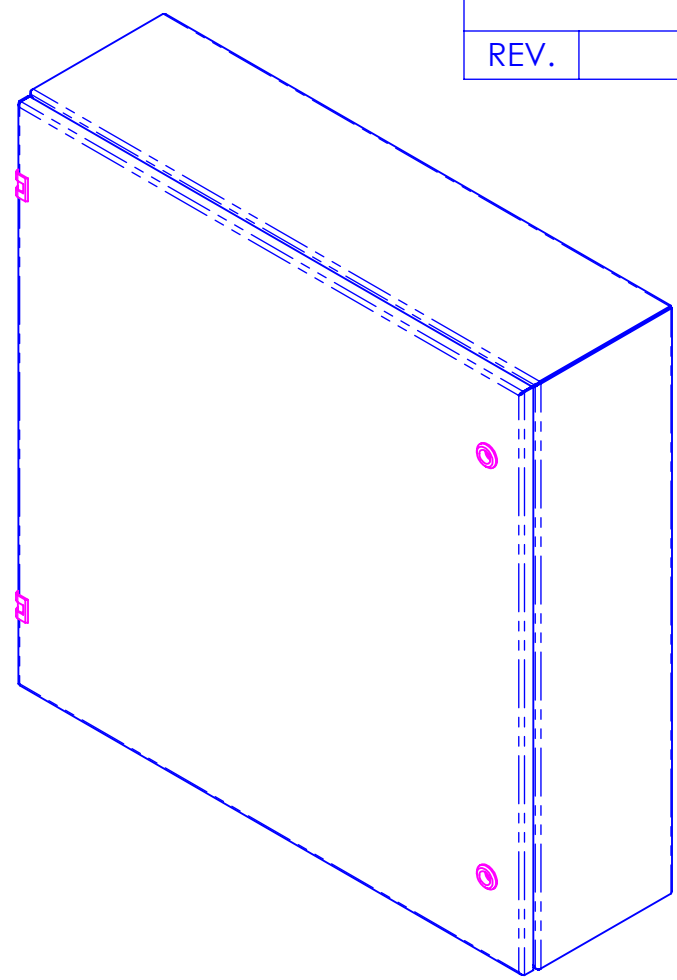


REVISIONS			
REV.	DESCRIPTION	DATE	APPROVED



<b>PROPRIETARY AND CONFIDENTIAL</b> THE INFORMATION CONTAINED IN THIS DRAWING IS THE SOLE PROPERTY OF RALSTON METAL PRODUCTS. ANY REPRODUCTION IN PART OR AS A WHOLE WITHOUT THE WRITTEN PERMISSION OF RALSTON METAL PRODUCTS IS PROHIBITED.	NAME	DATE	 55 WATSON ROAD QUELPS, ONTARIO N7L 1E2 PHONE: (519) 836-2969 TOLL FREE: 1-800-265-7611 FAX: (519) 836-9793 WWW.RALSTONMETAL.COM
	DRAWN BY	WAYNE SYNNOTT	
<b>UNLESS OTHERWISE SPECIFIED</b> DIMENSIONS ARE IN INCHES TOLERANCES: FRACTIONAL ± 1/32" ANGULAR MATCH 1" ONE PLACE DECIMAL ± 0.1" TWO PLACE DECIMAL ± 0.01" THREE PLACE DECIMAL ± 0.005" MATERIAL:	ISSUED BY	WAYNE SYNNOTT	1/17/2023
	SEE BOM	JOB ORDER NO:	
FINISH:	CUSTOMER DRAWING NO:		SHOP DRAWING NUMBER:
SEE BOM	THIRD ANGLE PROJECTION		V-SS-303008
DO NOT SCALE DRAWING	SCALE: 1:6		REV.:
	WEIGHT: 92.346		C ASSEMBLY
	SHEET 1 OF 1		PART NO. V-SS-303008