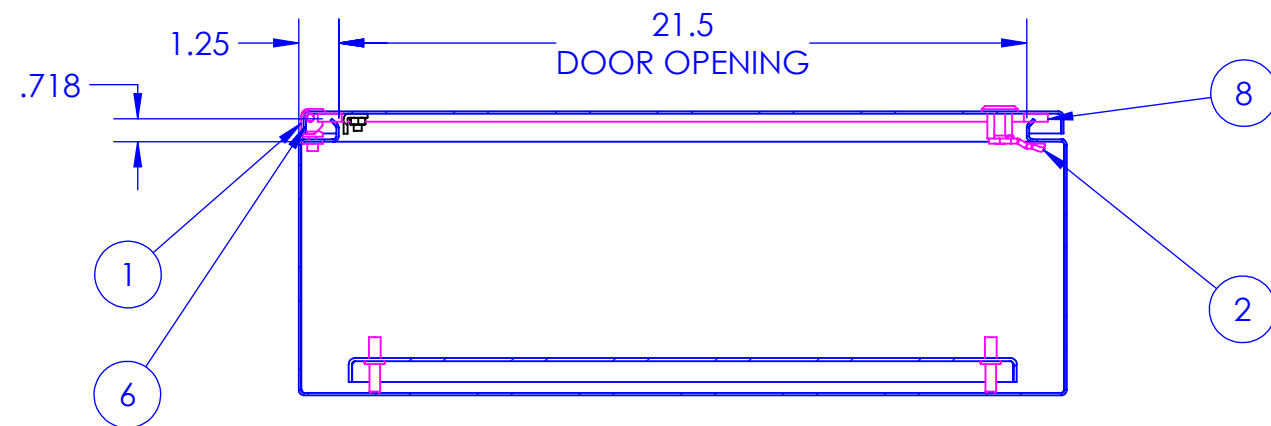
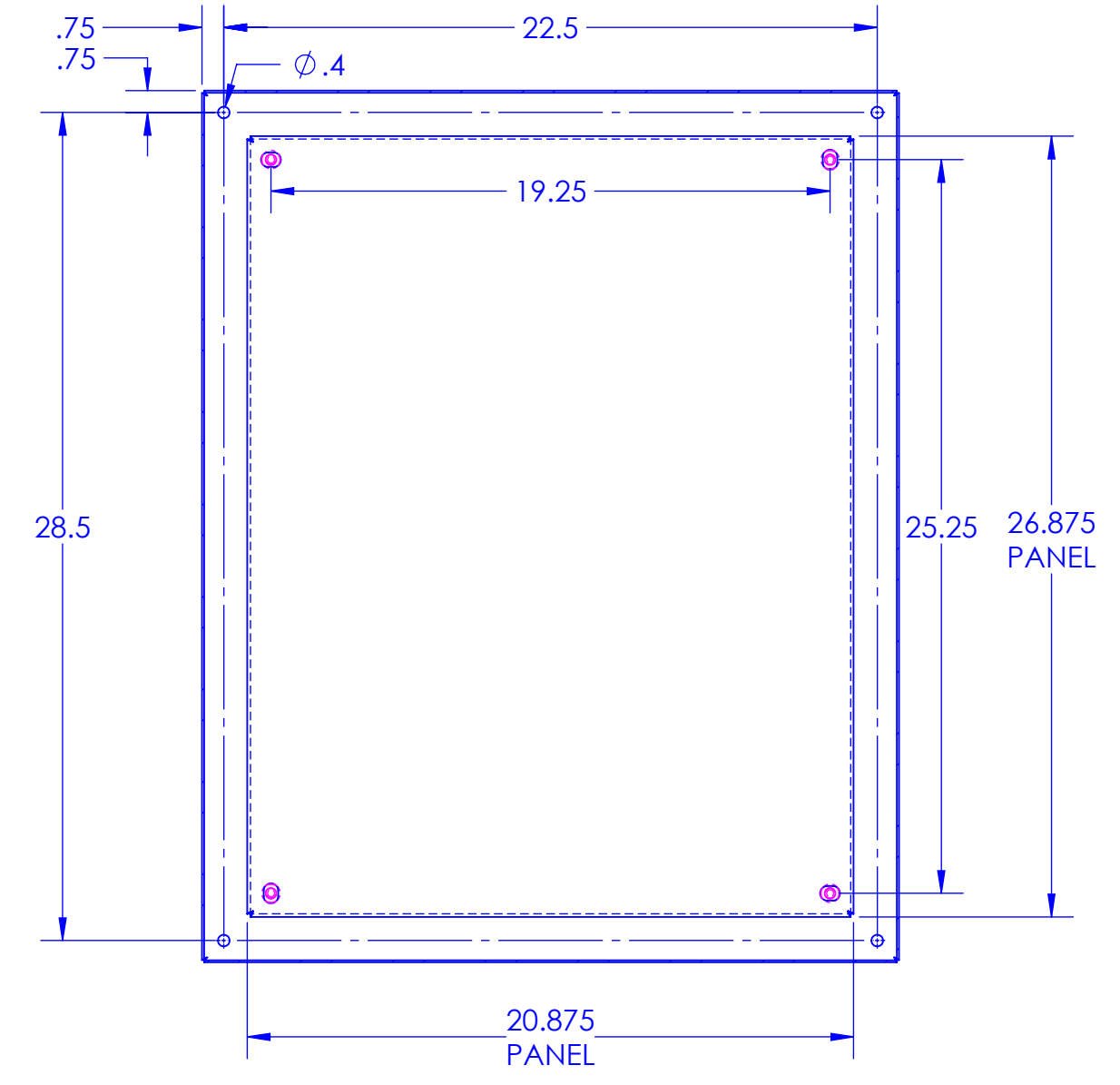
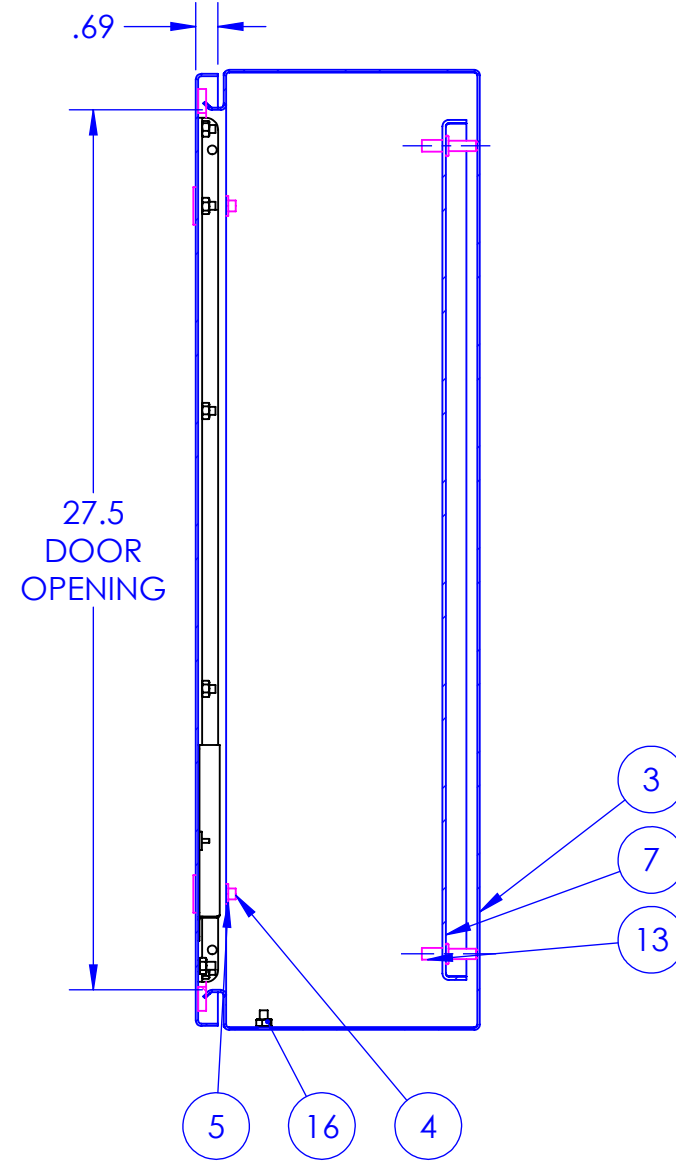
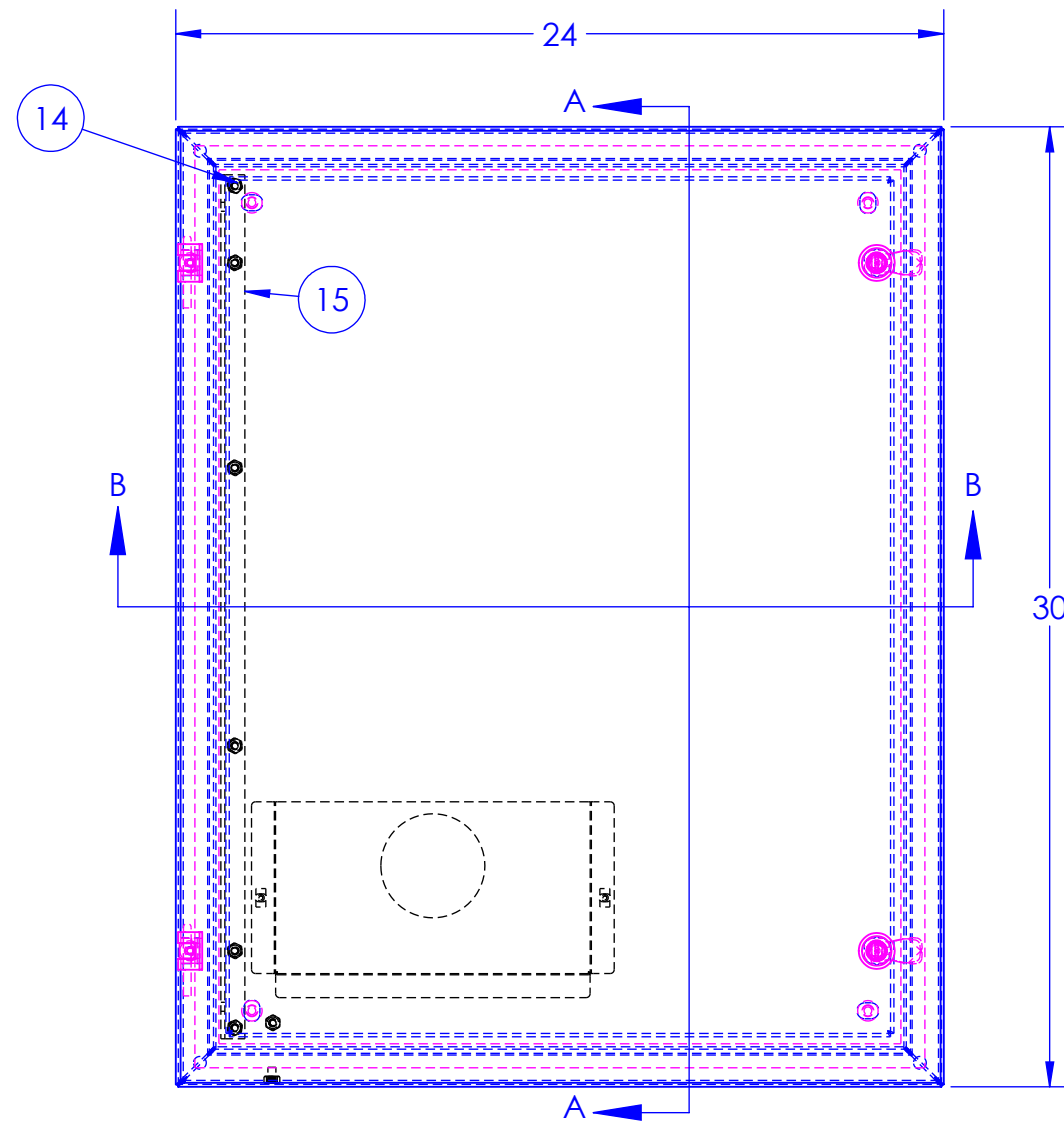
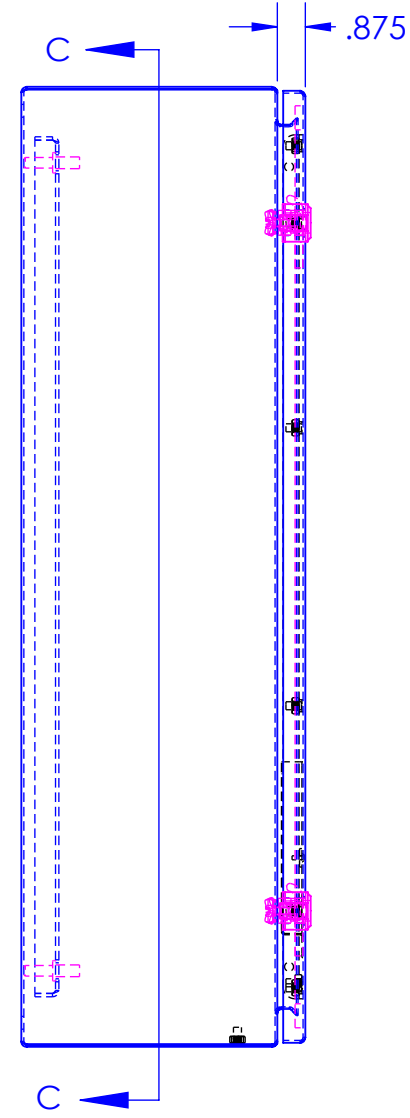
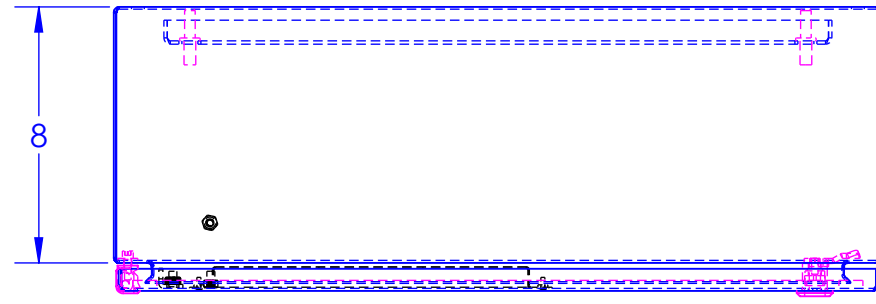
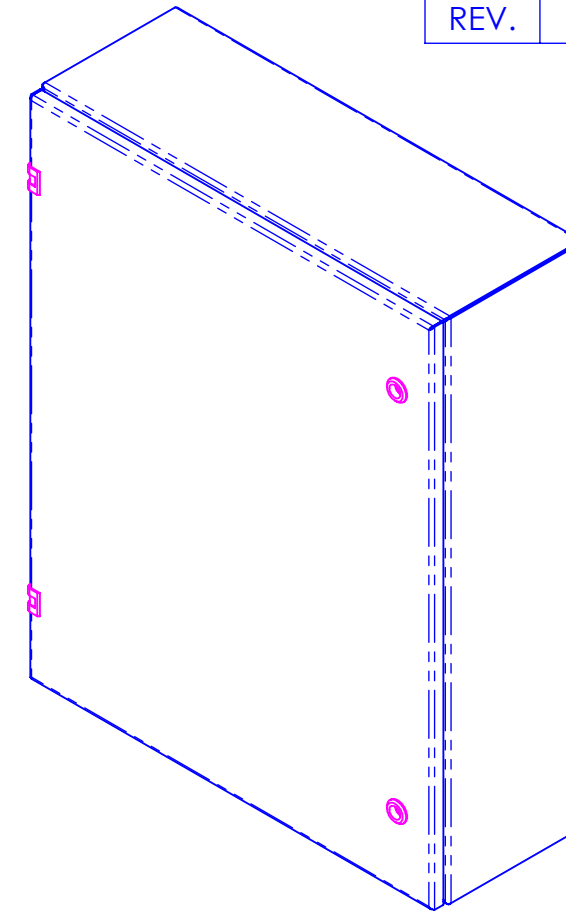


REVISIONS			
REV.	DESCRIPTION	DATE	APPROVED



PROPRIETARY AND CONFIDENTIAL THE INFORMATION CONTAINED IN THIS DRAWING IS THE SOLE PROPERTY OF RALSTON METAL PRODUCTS. ANY REPRODUCTION IN PART OR AS A WHOLE WITHOUT THE WRITTEN PERMISSION OF RALSTON METAL PRODUCTS IS PROHIBITED.	NAME	DATE		55 WATSON ROAD QUELUP, ONTARIO N7L 1E2 PHONE: (519) 836-2969 TOLL FREE: 1-800-265-7611 FAX: (519) 836-9793 WWW.RALSTONMETAL.COM
	DRAWN BY	DATE		
UNLESS OTHERWISE SPECIFIED DIMENSIONS ARE IN INCHES TOLERANCES: FRACTIONAL ± 1/32" ANGULAR ± MACH 1" ONE PLACE DECIMAL ± 0.1" TWO PLACE DECIMAL ± 0.01" THREE PLACE DECIMAL ± 0.005" MATERIAL:	ISSUED BY	DATE	CUSTOMER DRAWING NO.:	SHOP DRAWING NUMBER: V-SS-302408
	JOB ORDER NO.	DATE		
SEE BOM	(AUTHORIZED SIGNATURE IN RED) 		SIZE	PART NAME:
FINISH:			C ASSEMBLY	
SEE BOM	PART NO.	WEIGHT:	SHEET 1 OF 1	
DO NOT SCALE DRAWING	THIRD ANGLE PROJECTION	SCALE: 1:6	V-SS-302408 WEIGHT: 75.203	