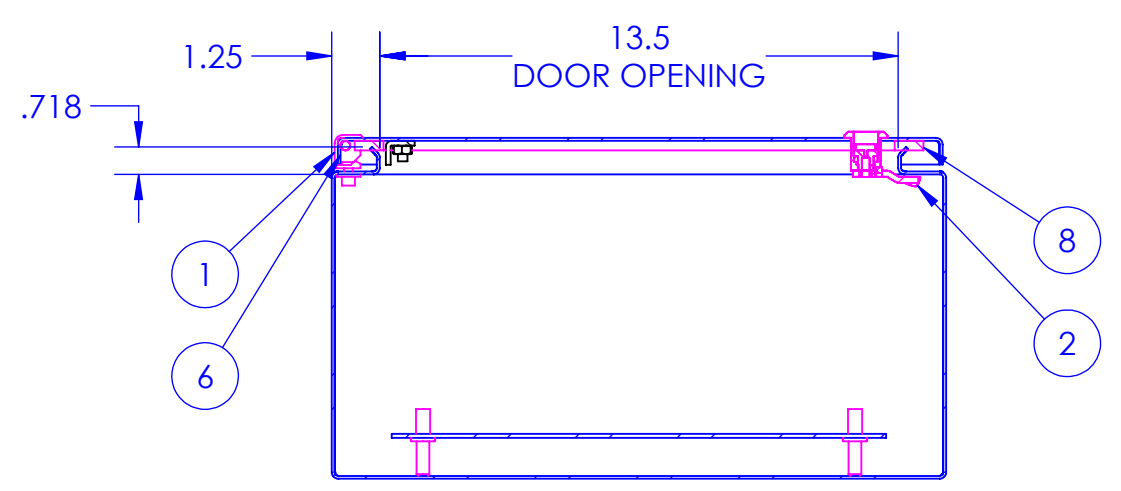
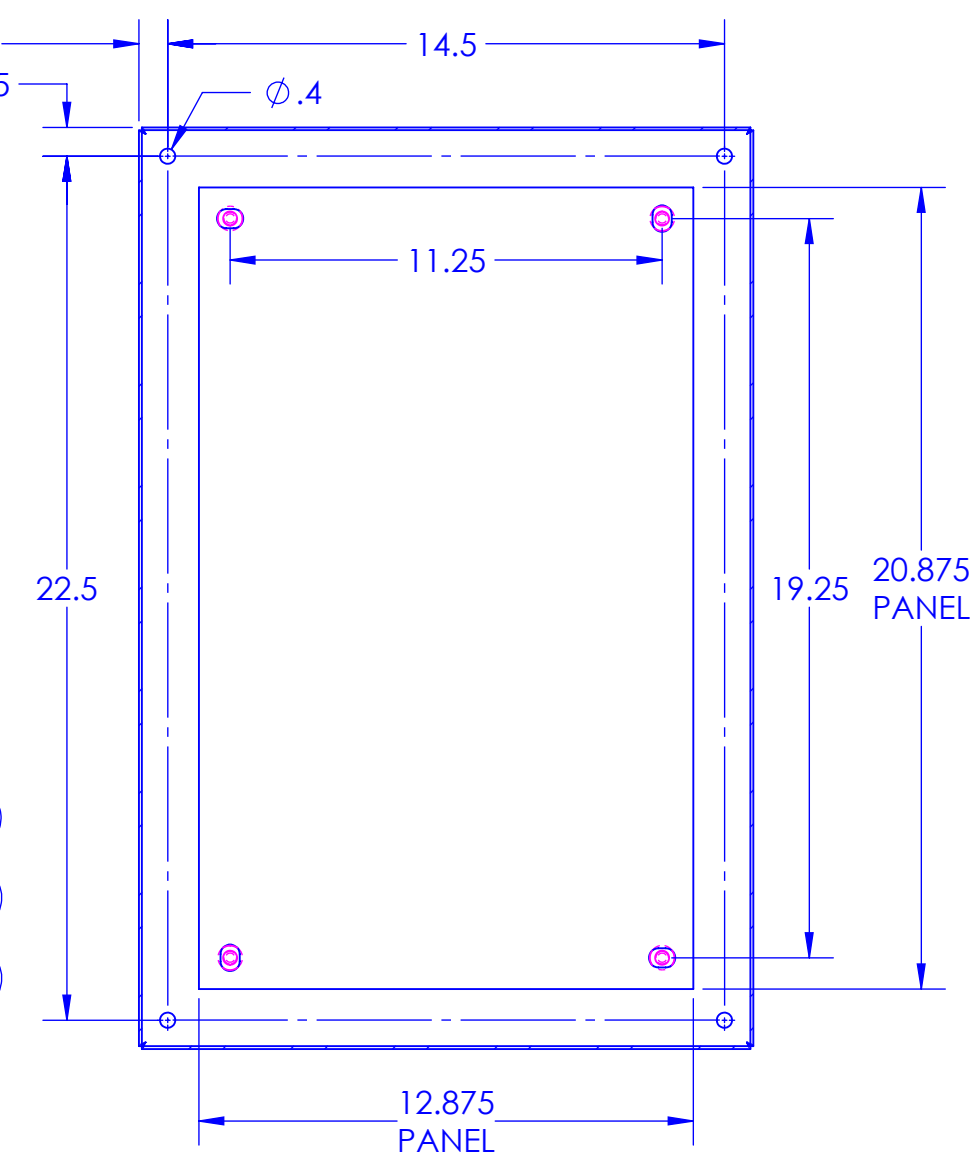
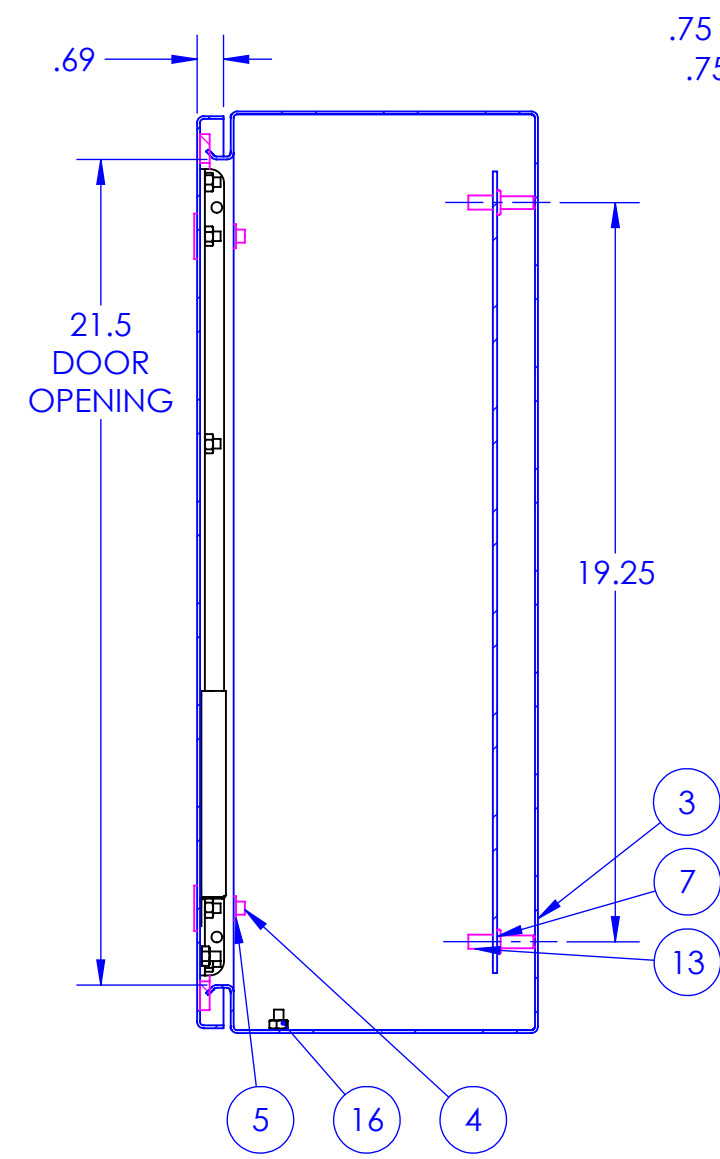
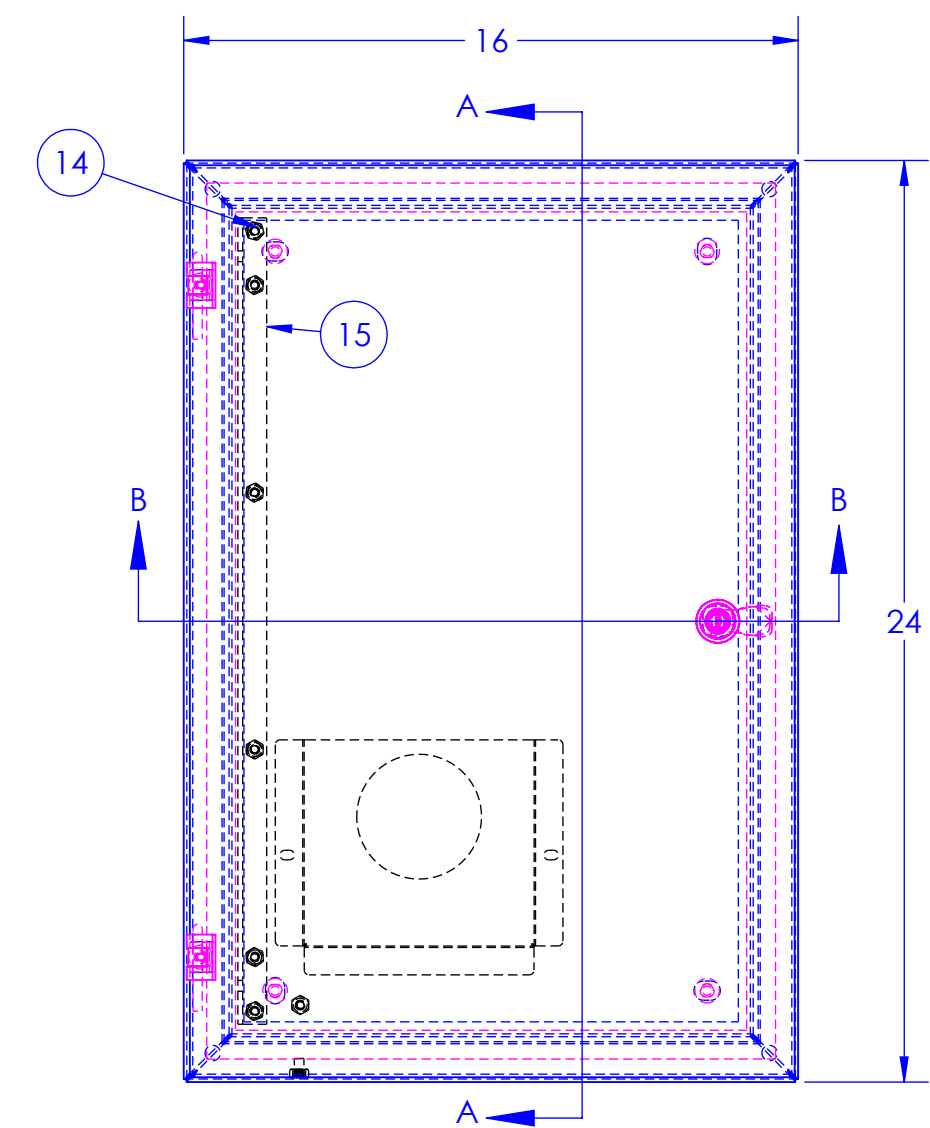
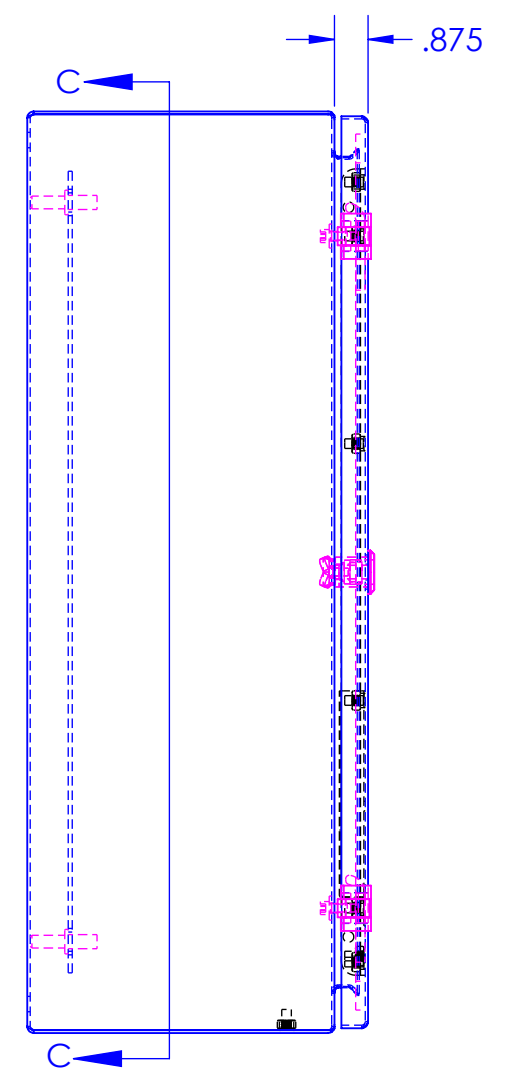
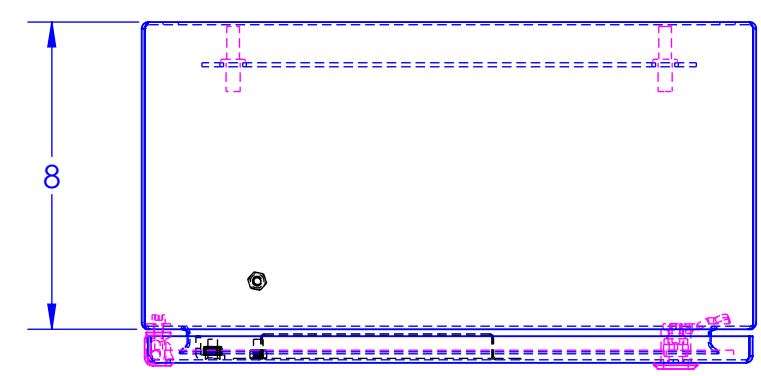
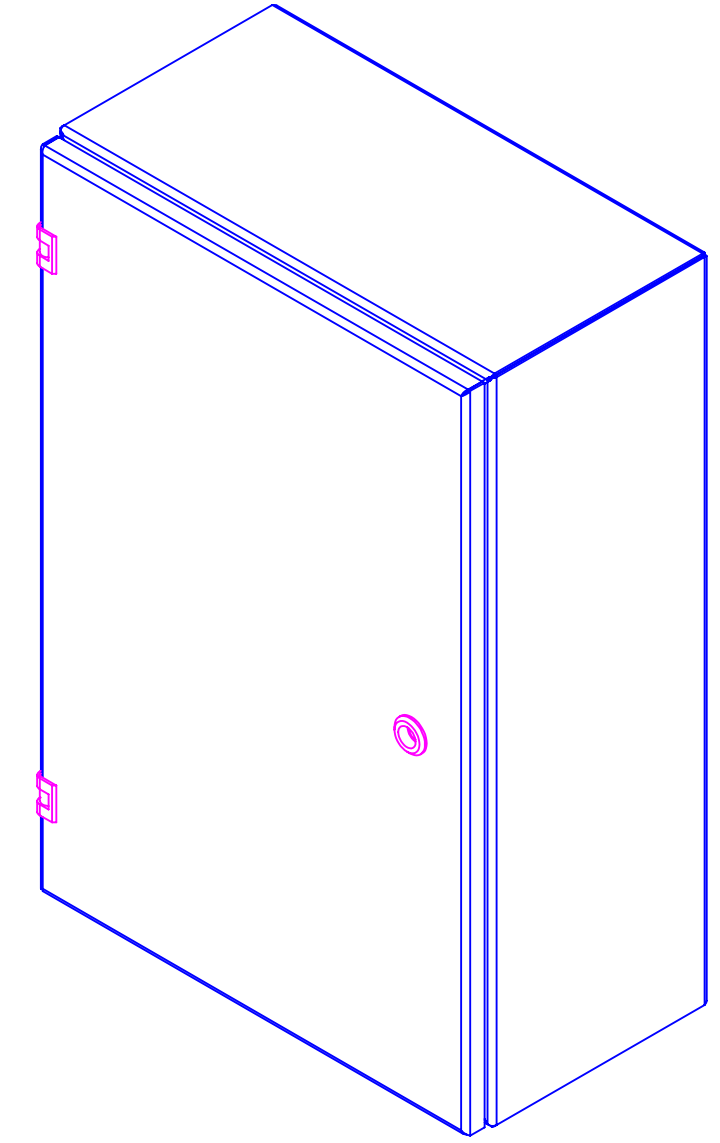


REVISIONS			
REV.	DESCRIPTION	DATE	APPROVED



SECTION B-B

SECTION A-A

SECTION C-C

PROPRIETARY AND CONFIDENTIAL THE INFORMATION CONTAINED IN THIS DRAWING IS THE SOLE PROPERTY OF RALSTON METAL PRODUCTS. ANY REPRODUCTION IN PART OR AS A WHOLE WITHOUT THE WRITTEN PERMISSION OF RALSTON METAL PRODUCTS IS PROHIBITED.	NAME	DATE		55 WATSON ROAD QUELUP, ONTARIO N7L 1E2 PHONE: (519) 836-2969 TOLL FREE: 1-800-265-7611 FAX: (519) 836-9793		
	DRAWN BY	WAYNE SYNNOTT			1/17/2023	
UNLESS OTHERWISE SPECIFIED DIMENSIONS ARE IN INCHES TOLERANCES: FRACTIONAL ± 1/32" ANGULAR MACH 1" ONE PLACE DECIMAL ± 0.1" TWO PLACE DECIMAL ± 0.01" THREE PLACE DECIMAL ± 0.005"	ISSUED BY	WAYNE SYNNOTT	1/17/2023	CUSTOMER: SHOP DRAWING NUMBER: V-SS-241608		
	JOB ORDER NO.					
SEE BOM	CUSTOMER DRAWING NO.			SIZE	PART NAME:	REV.
FINISH:				C ASSEMBLY		
SEE BOM				PART NO.	V-SS-241608	
DO NOT SCALE DRAWING	THIRD ANGLE PROJECTION			SCALE: 1:5	WEIGHT: 43.675	SHEET 1 OF 1