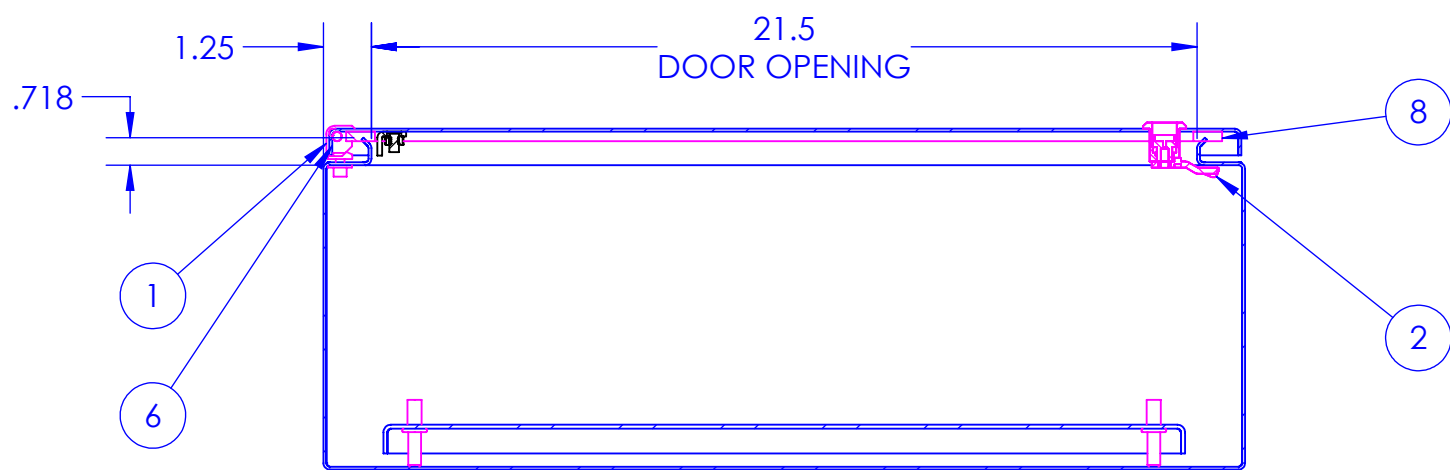
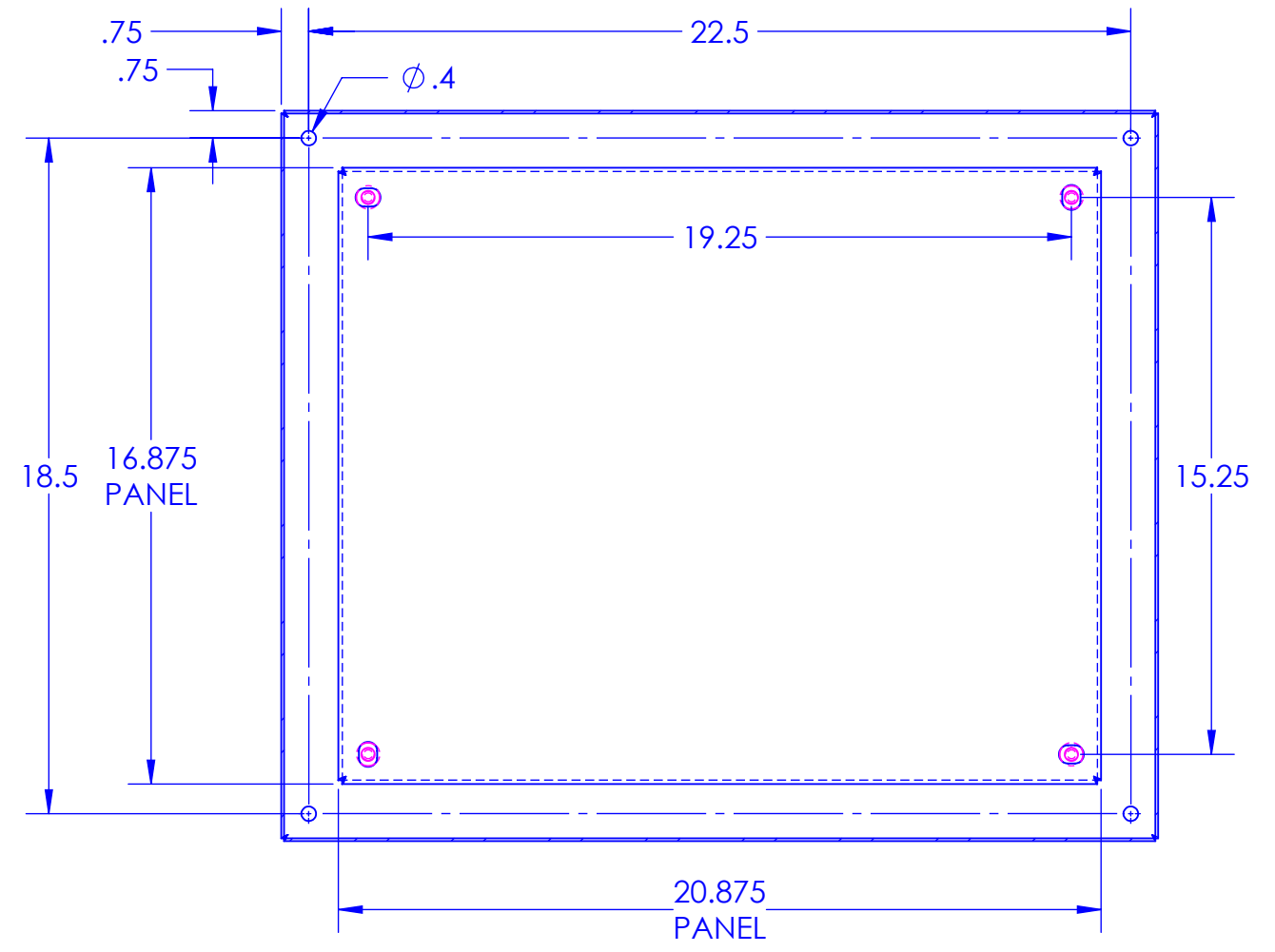
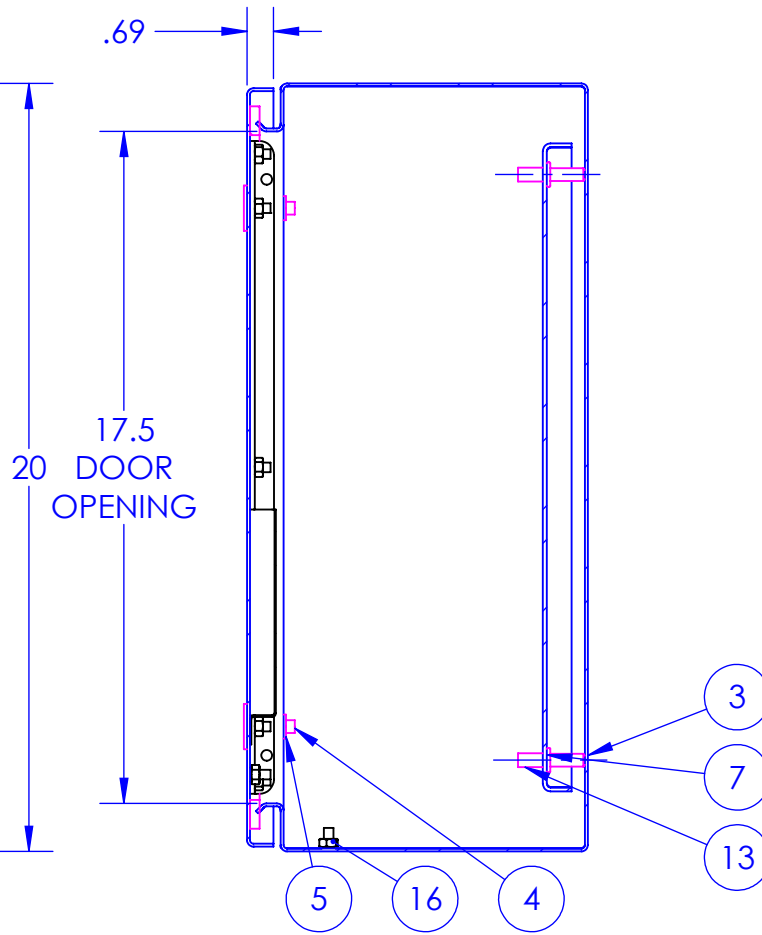
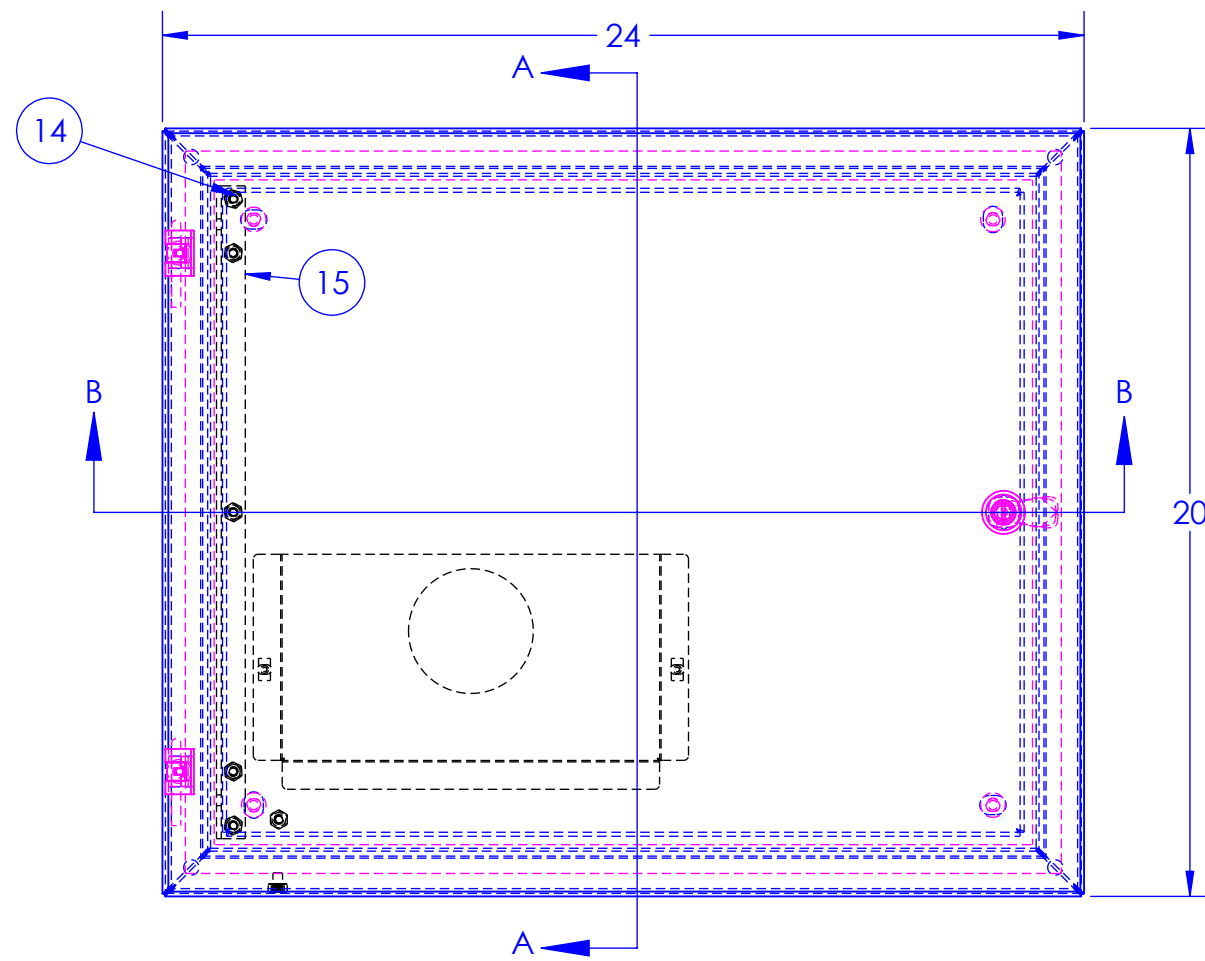
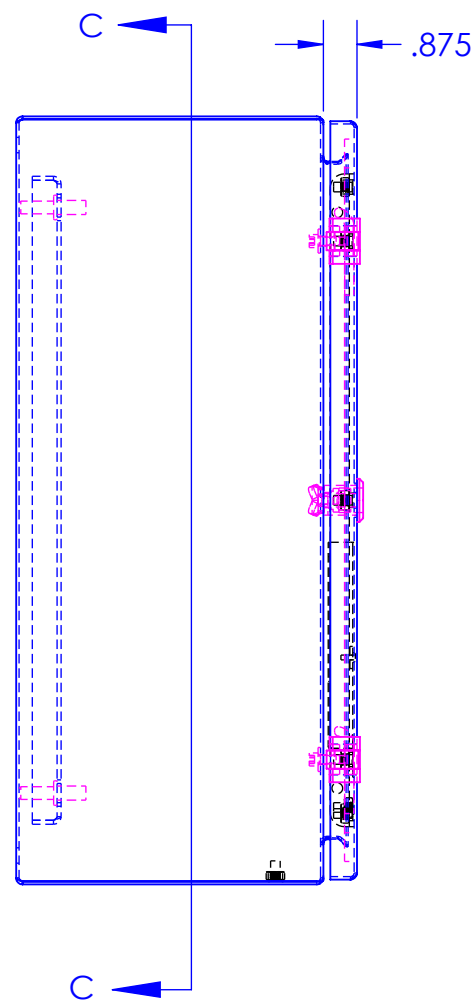
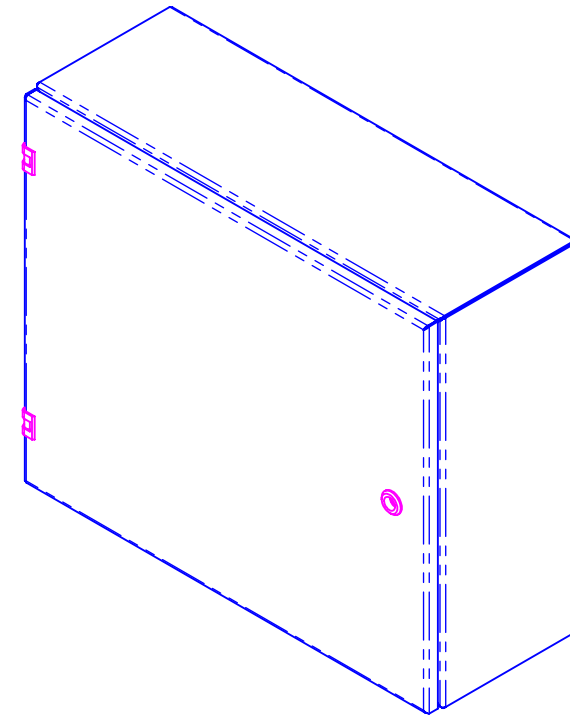
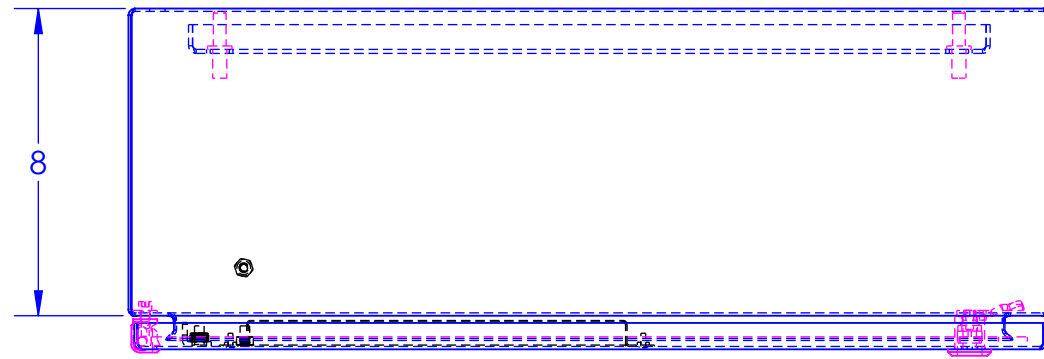


REVISIONS			
REV.	DESCRIPTION	DATE	APPROVED



SECTION B-B

SECTION A-A

SECTION C-C

PROPRIETARY AND CONFIDENTIAL THE INFORMATION CONTAINED IN THIS DRAWING IS THE SOLE PROPERTY OF RALSTON METAL PRODUCTS. ANY REPRODUCTION IN PART OR AS A WHOLE WITHOUT THE WRITTEN PERMISSION OF RALSTON METAL PRODUCTS IS PROHIBITED.	NAME	DATE		55 WATSON ROAD QUELUP, ONTARIO N1L 1E2 PHONE: (519) 836-2969 TOLL FREE: 1-800-265-7611 FAX: (519) 836-9793 WWW.RALSTONMETAL.COM
	DRAWN BY	DATE		
UNLESS OTHERWISE SPECIFIED DIMENSIONS ARE IN INCHES TOLERANCES: FRACTIONAL ±1/32" ANGULAR ±MACH 1" ONE PLACE DECIMAL ±0.1" TWO PLACE DECIMAL ±0.01" THREE PLACE DECIMAL ±0.005" MATERIAL:	ISSUED BY	DATE	CUSTOMER DRAWING NO:	SHOP DRAWING NUMBER:
SEE BOM	(AUTHORIZED SIGNATURE IN RED)			V-SS-202408
FINISH:				SIZE PART NAME: REV.
SEE BOM				C ASSEMBLY
DO NOT SCALE DRAWING	THIRD ANGLE PROJECTION			PART NO. V-SS-202408
				SCALE: 1:5 WEIGHT: 53.437 SHEET 1 OF 1