

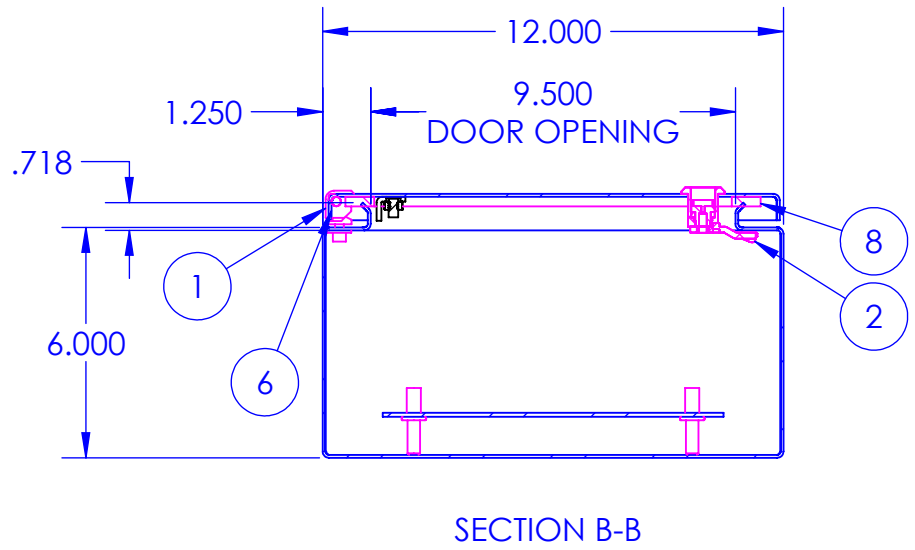
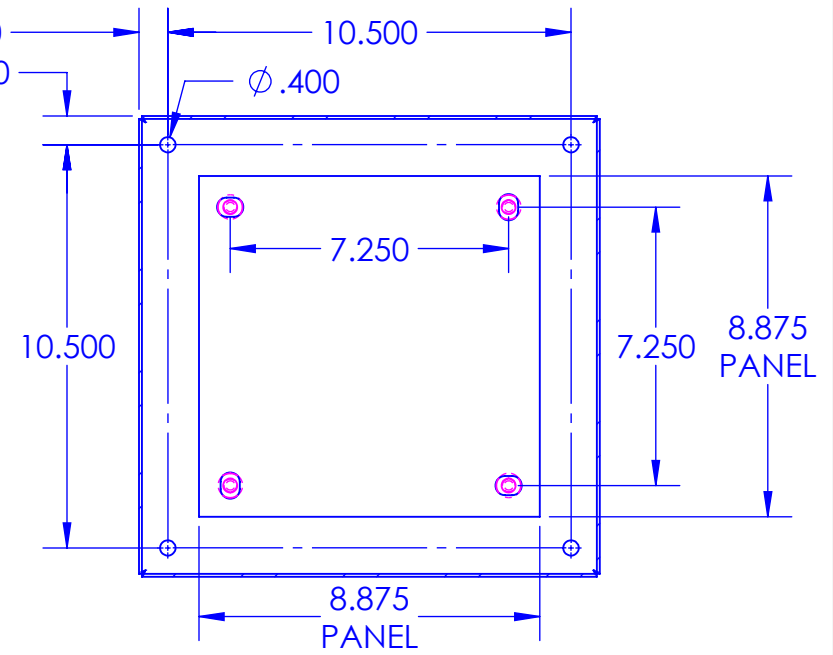
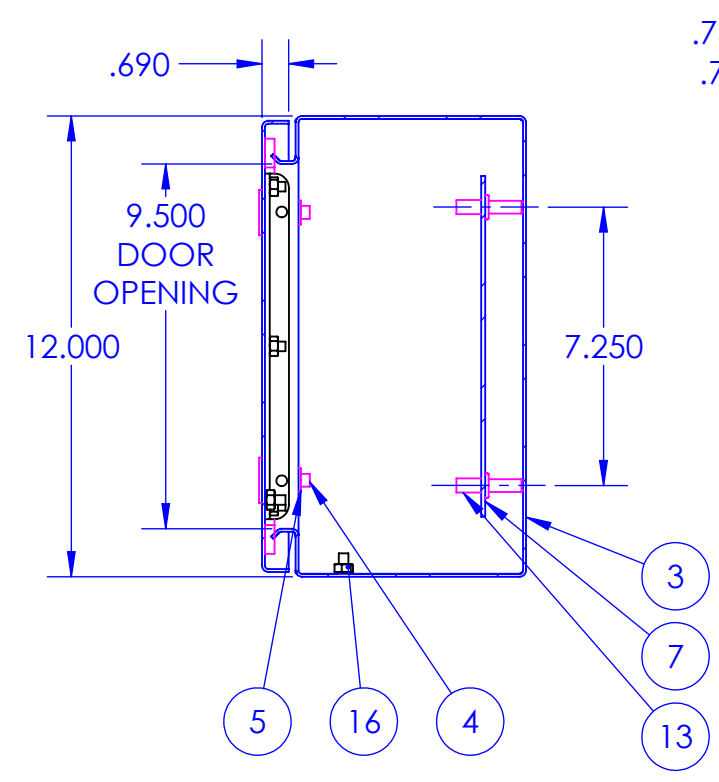
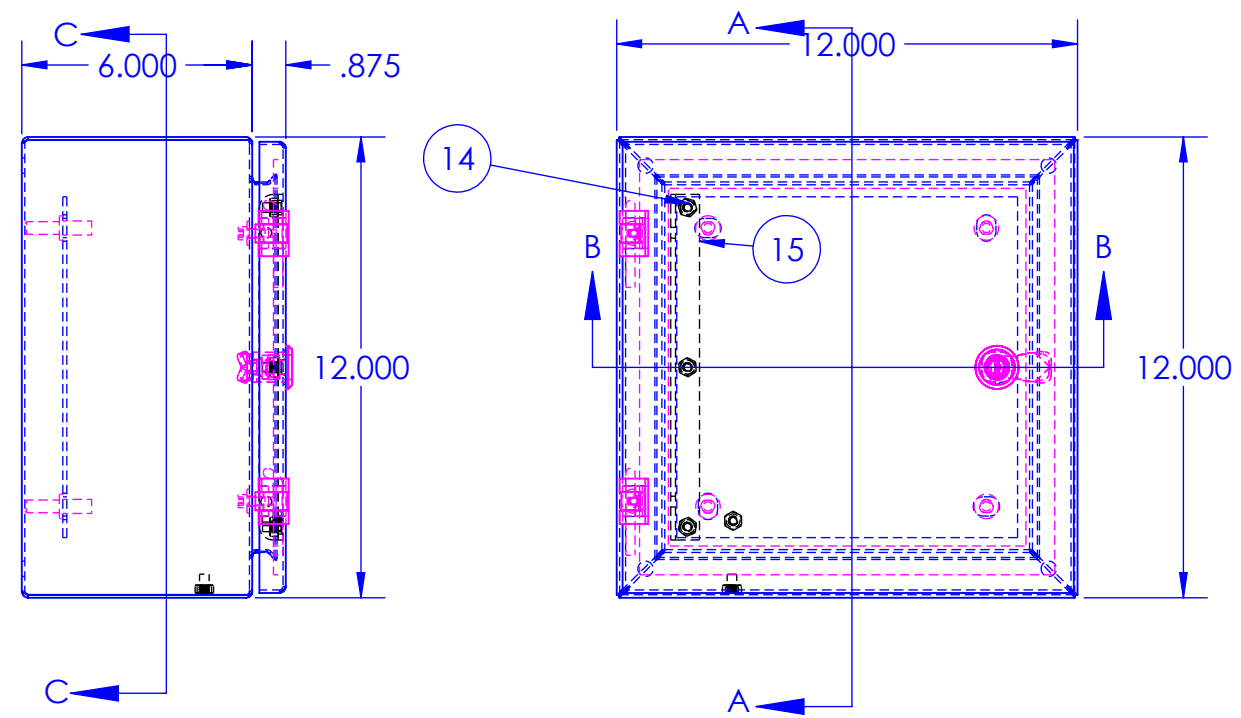
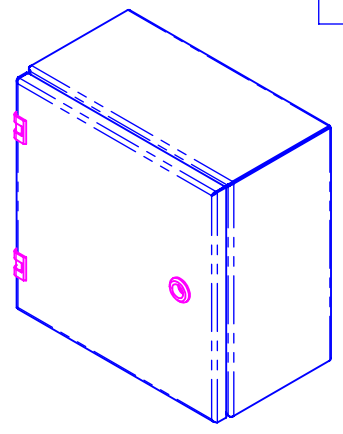
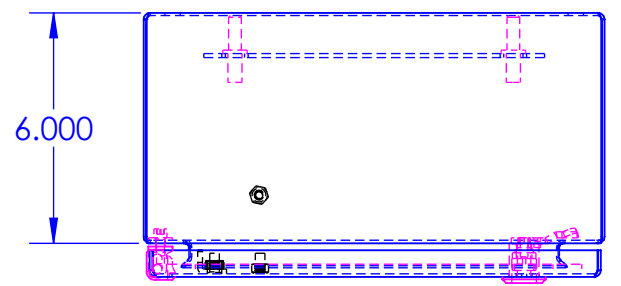
4

3

2

1

REVISIONS			
REV.	DESCRIPTION	DATE	APPROVED



<p>PROPRIETARY AND CONFIDENTIAL</p> <p>THE INFORMATION CONTAINED IN THIS DRAWING IS THE SOLE PROPERTY OF RALSTON METAL PRODUCTS. ANY REPRODUCTION IN PART OR AS A WHOLE WITHOUT THE WRITTEN PERMISSION OF RALSTON METAL PRODUCTS IS PROHIBITED.</p> <p>UNLESS OTHERWISE SPECIFIED</p> <p>DIMENSIONS ARE IN INCHES</p> <p>TOLERANCES:</p> <p>FRACTIONAL: $\pm 1/32"$</p> <p>ANGULAR: MACH $\pm 1^\circ$ BEND $\pm 1/32"$</p> <p>ONE PLACE DECIMAL $\pm 0.1"$</p> <p>TWO PLACE DECIMAL $\pm 0.01"$</p> <p>THREE PLACE DECIMAL $\pm 0.005"$</p> <p>MATERIAL:</p> <p>SEE BOM</p> <p>FINISH:</p> <p>SEE BOM</p> <p>DO NOT SCALE DRAWING</p>	<p>NAME</p> <p>DATE</p>	<p>50 Watson Road Guelph, Ontario N1L 1E2</p> <p>Ralston Metal Products Limited</p> <p>Phone: (519) 836-2968 Toll Free: 1-800-265-7611 Fax: (519) 836-9763 www.ralstonmetal.com</p>	
	<p>DRAWN BY: DHANIK DESAI</p> <p>ISSUED BY: DHANIK DESAI</p> <p>JOB ORDER NO:</p>	<p>11/16/2022</p>	<p>CUSTOMER:</p>
	<p>CUSTOMER DRAWING NO:</p>	<p>SHOP DRAWING NUMBER:</p> <p>V-SS-121206</p>	<p>SIZE: B</p> <p>PART NAME: ASSEMBLY</p>
	<p>(AUTHORIZED SIGNATURE IN RED)</p> <p>THIRD ANGLE PROJECTION</p>	<p>PART NO. V-SS-121206</p> <p>SCALE: 1:5</p> <p>WEIGHT: 17.497</p> <p>SHEET 1 OF 1</p>	<p>REV.</p>

4

3

2

1