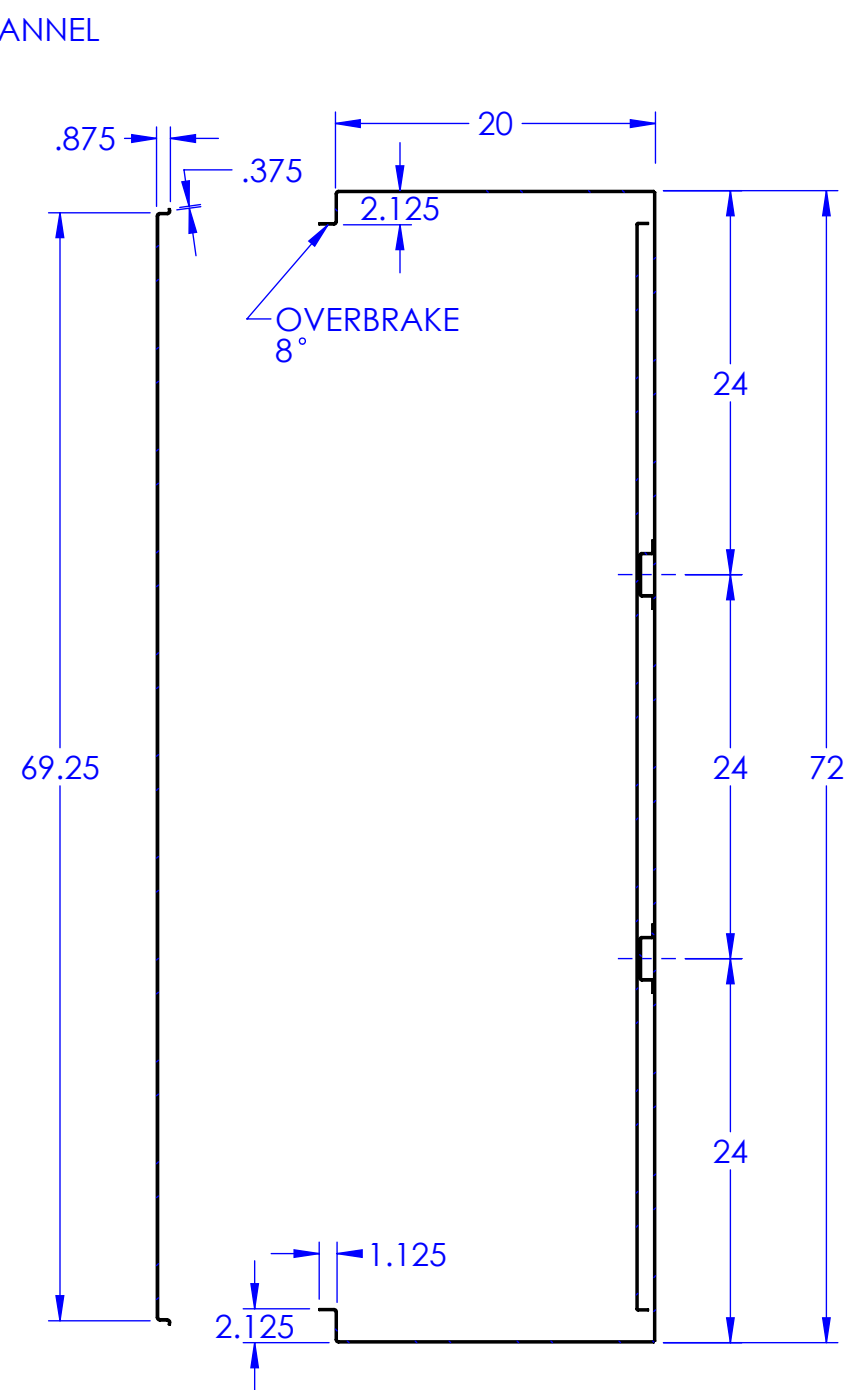
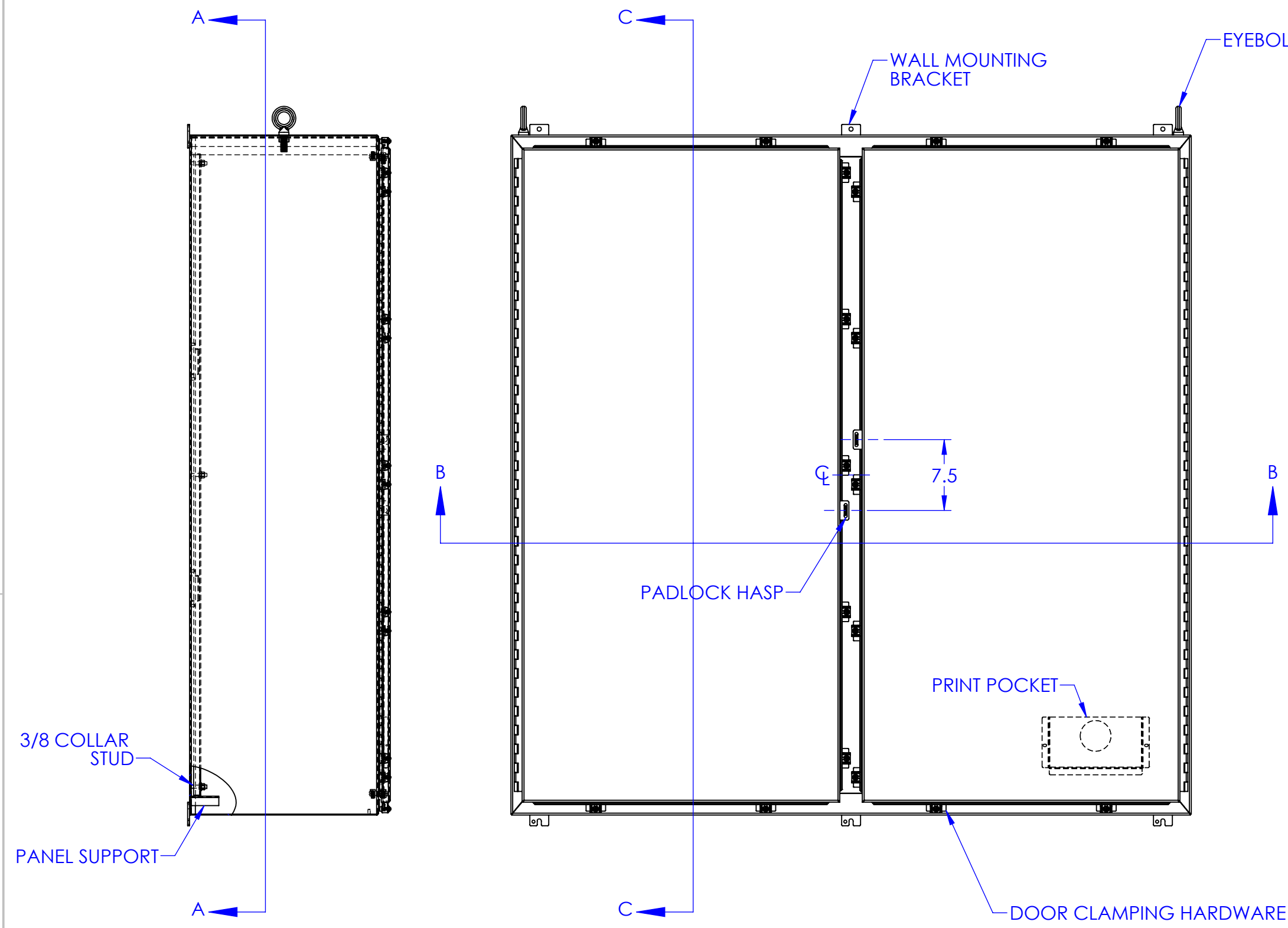
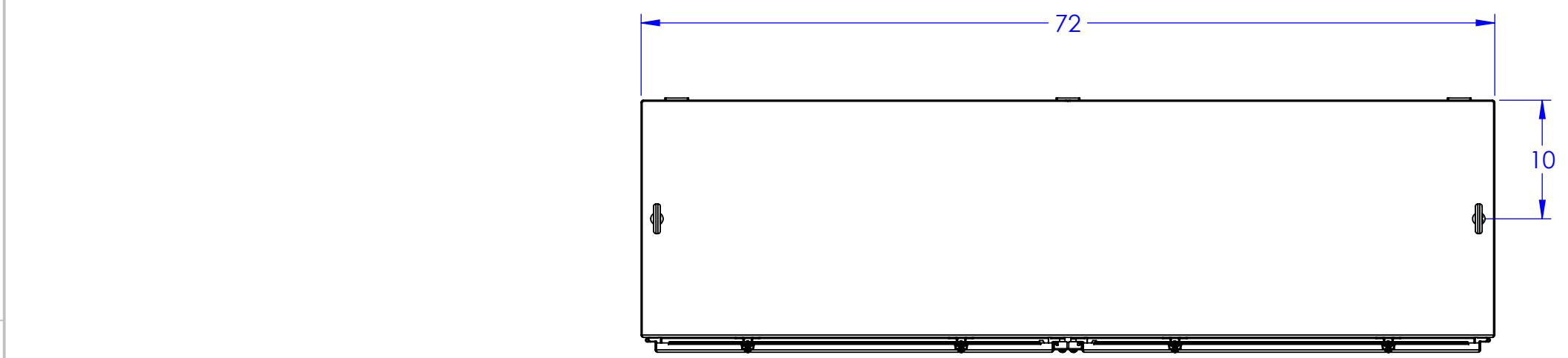
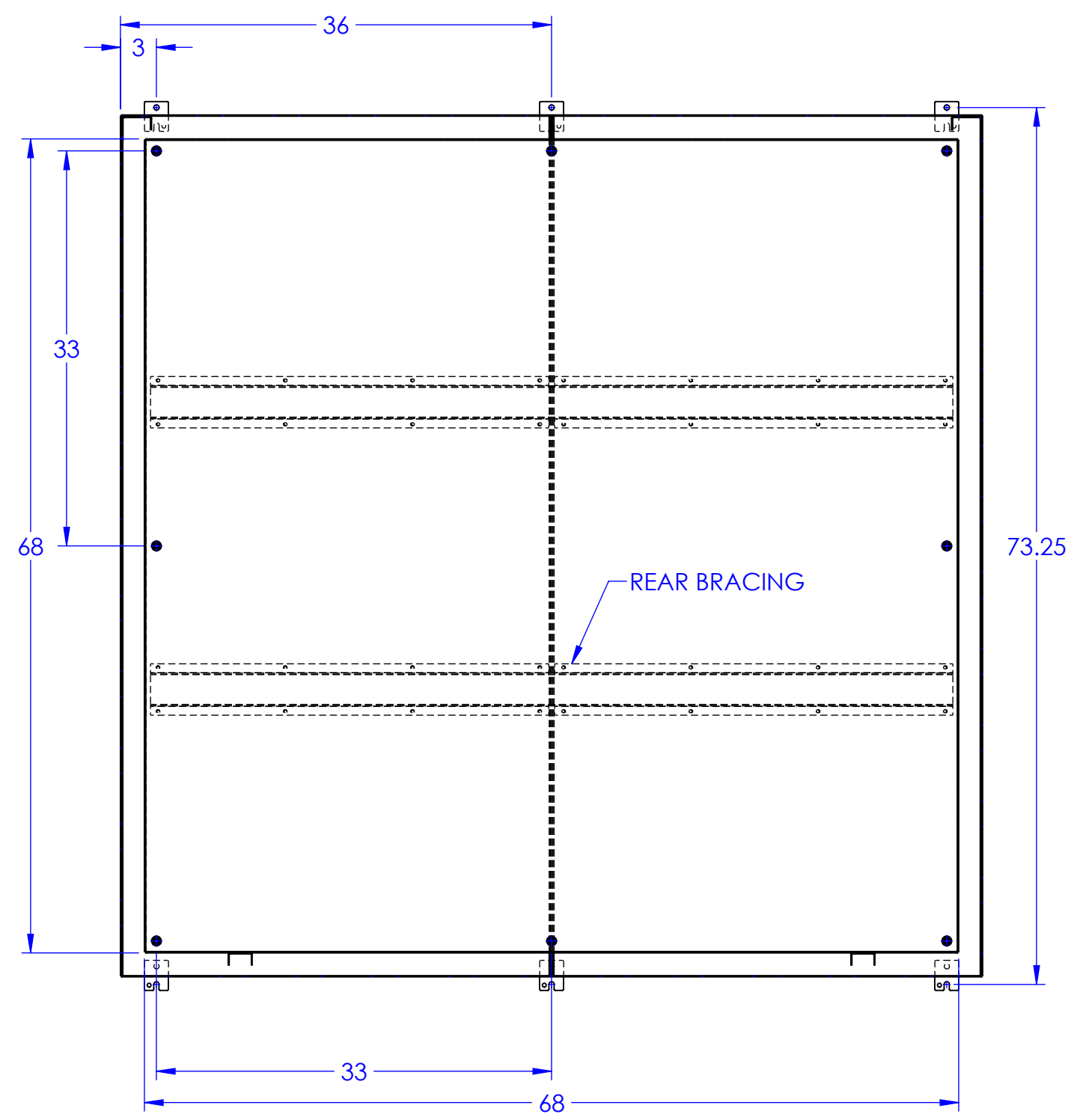


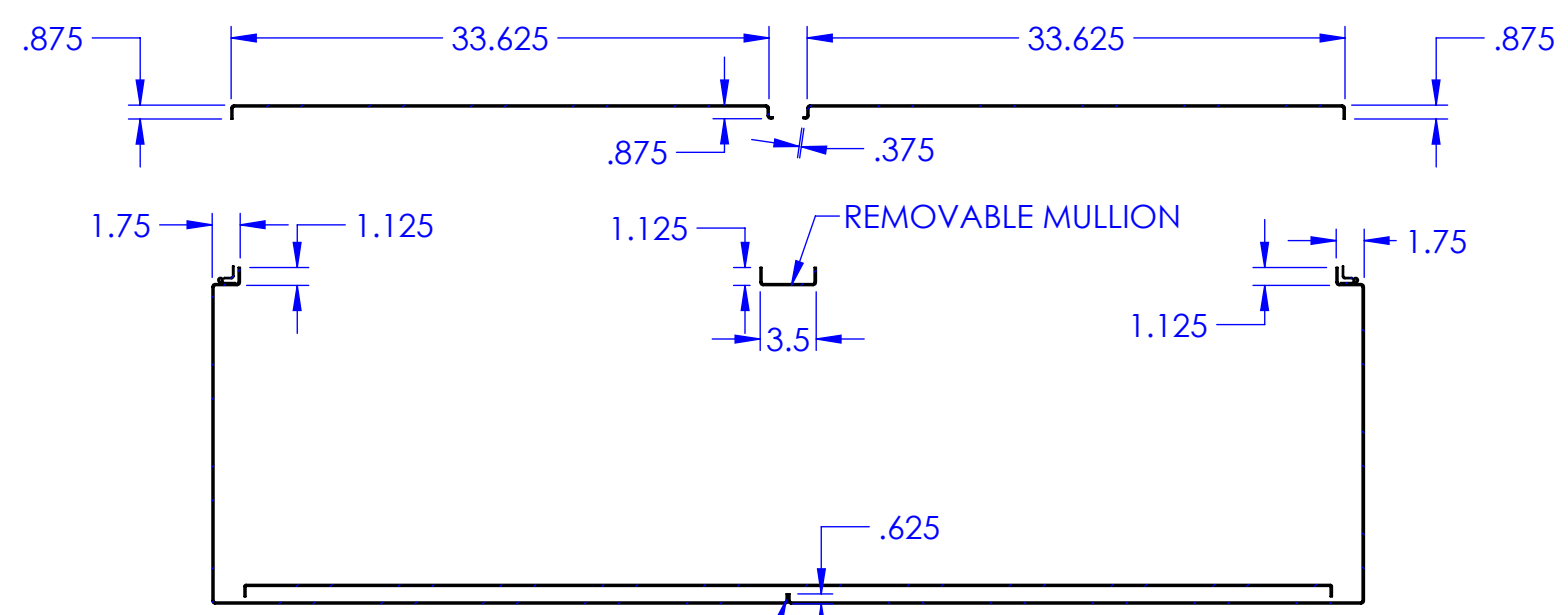
REVISIONS			
REV.	DESCRIPTION	DATE	APPROVED



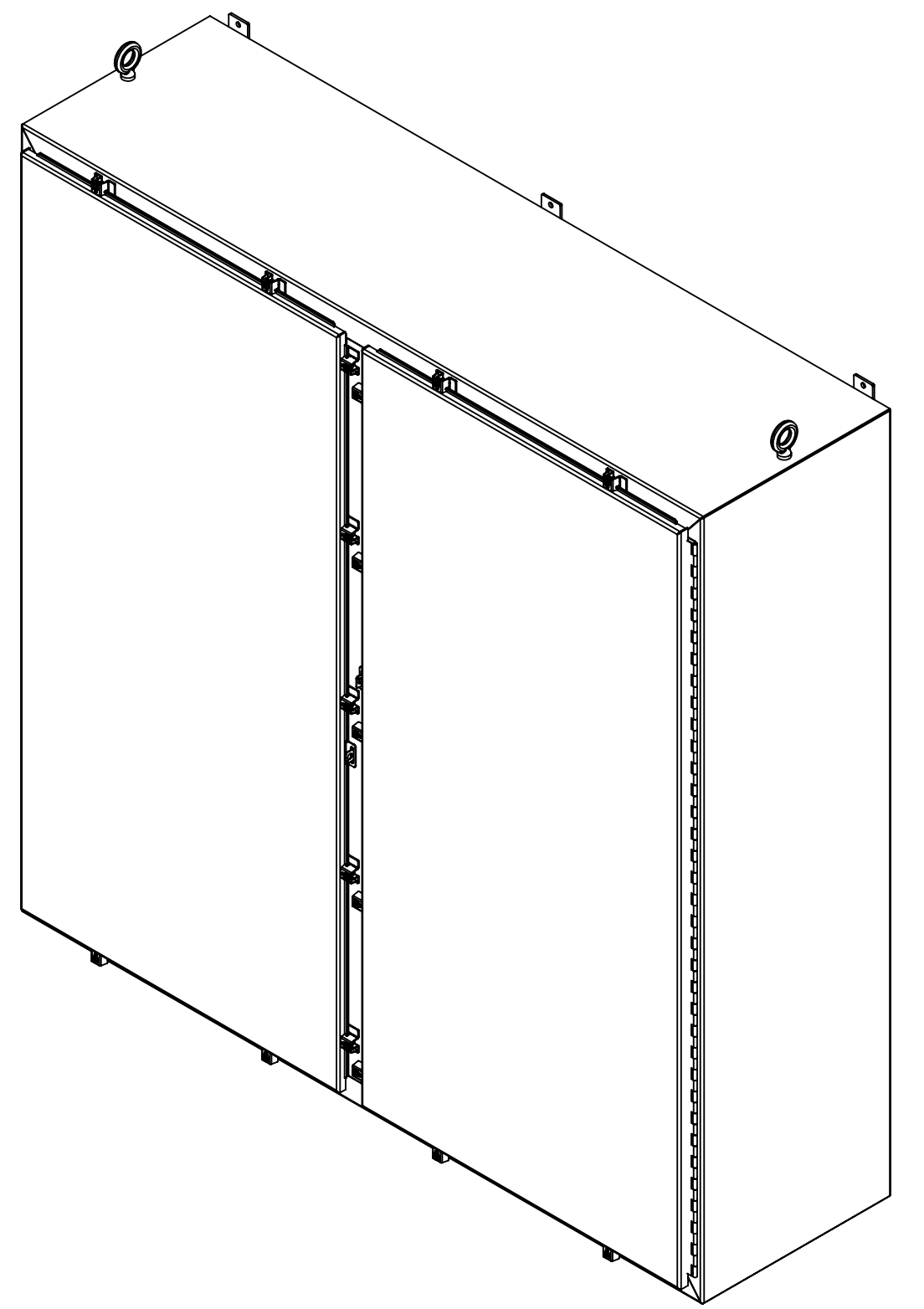
SECTION C-C



SECTION A-A



SECTION B-B



<b>PROPRIETARY AND CONFIDENTIAL</b> THE INFORMATION CONTAINED IN THIS DRAWING IS THE SOLE PROPERTY OF RALSTON METAL PRODUCTS. ANY REPRODUCTION OR TRANSMISSION OF THIS INFORMATION WITHOUT THE WRITTEN PERMISSION OF RALSTON METAL PRODUCTS IS PROHIBITED.		NAME WAYNE STENOIT	DATE	<p>Ralston Metal Products Limited 15 WESTON ROAD, GUILDFORD ONTARIO N4L 1E2 PHONE: (519) 849-0888 TOLL FREE: 1-800-565-9111 FAX: (519) 849-0891</p>
UNLESS OTHERWISE SPECIFIED: DIMENSIONS ARE IN INCHES TOLERANCES: FRACTIONS: ±.005 ANGLES: ±.03125" ONE PLACE DECIMAL ±.015" TWO PLACE DECIMAL ±.005" THREE PLACE DECIMAL ±.0015" SURF. FINISH: PER ASSESSOR		CUSTOMER DRAWING NO.	DRAWING NUMBER	
SEE BOM	SEE BOM	SEE BOM	SEE BOM	SHEET: PART NAME: <b>D N4X-DD-SS-727220</b> REV: - PART NO. N4X-DD-SS-727220 ASSEMBLY SCALE: 1:12 WEIGHT: 698.402 SHEET 1 OF 12