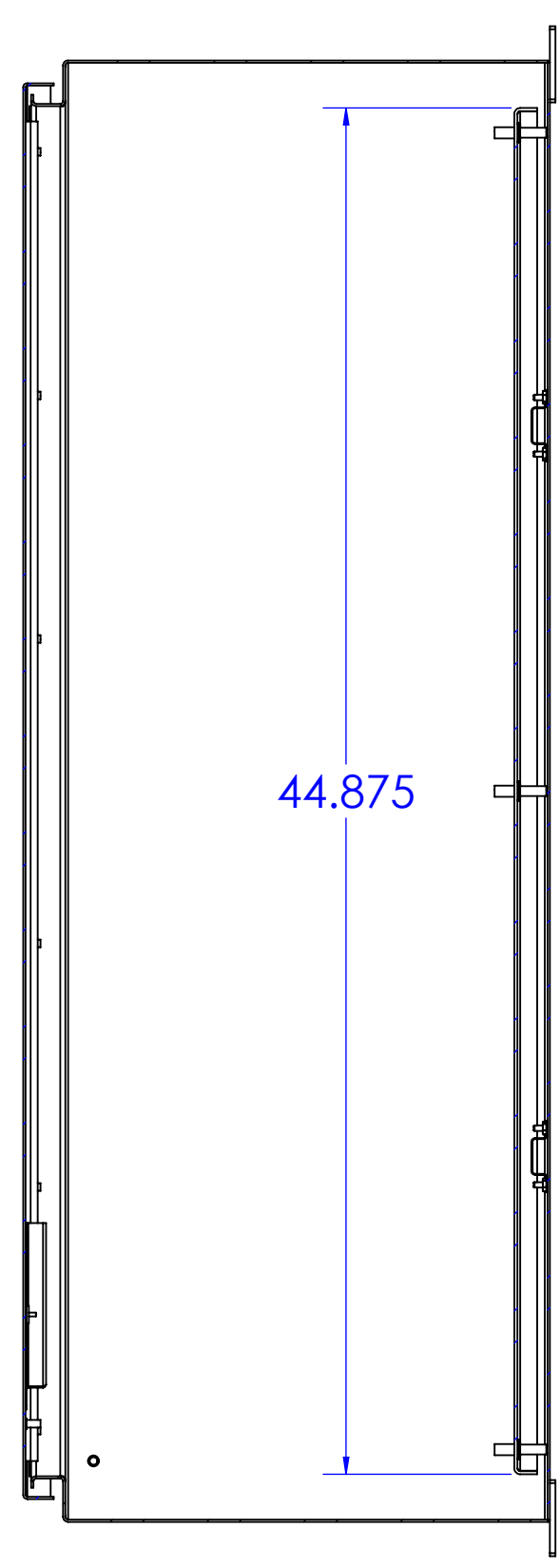
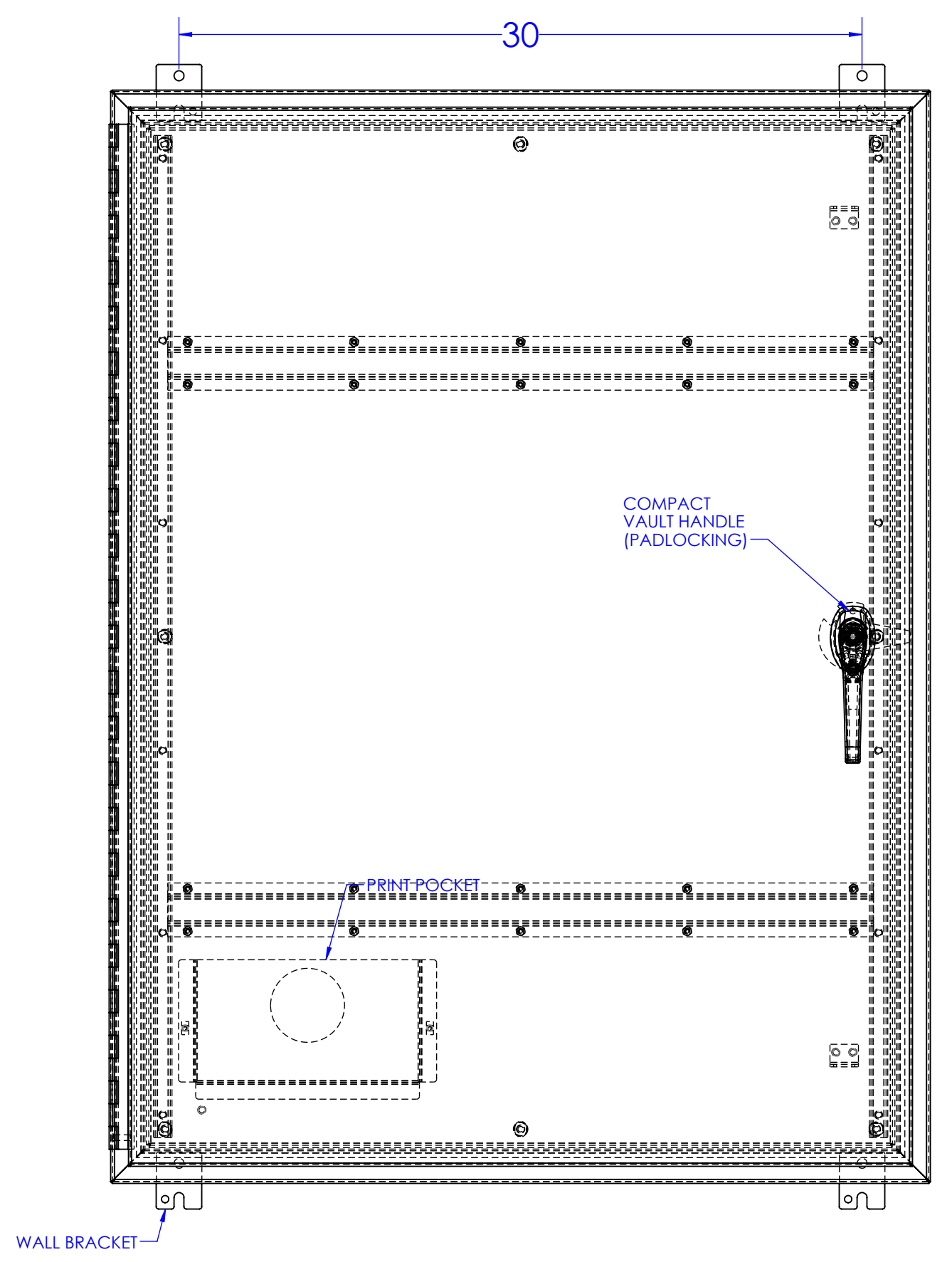
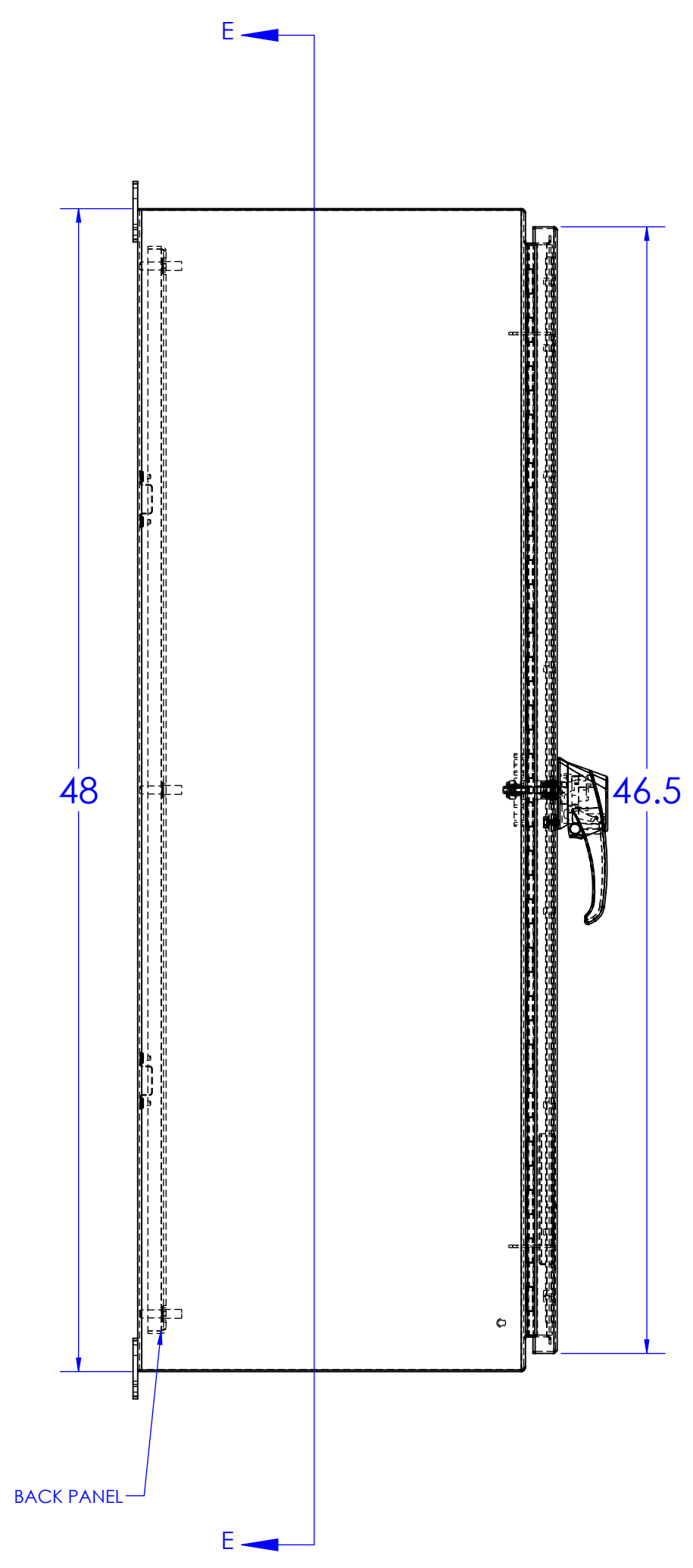
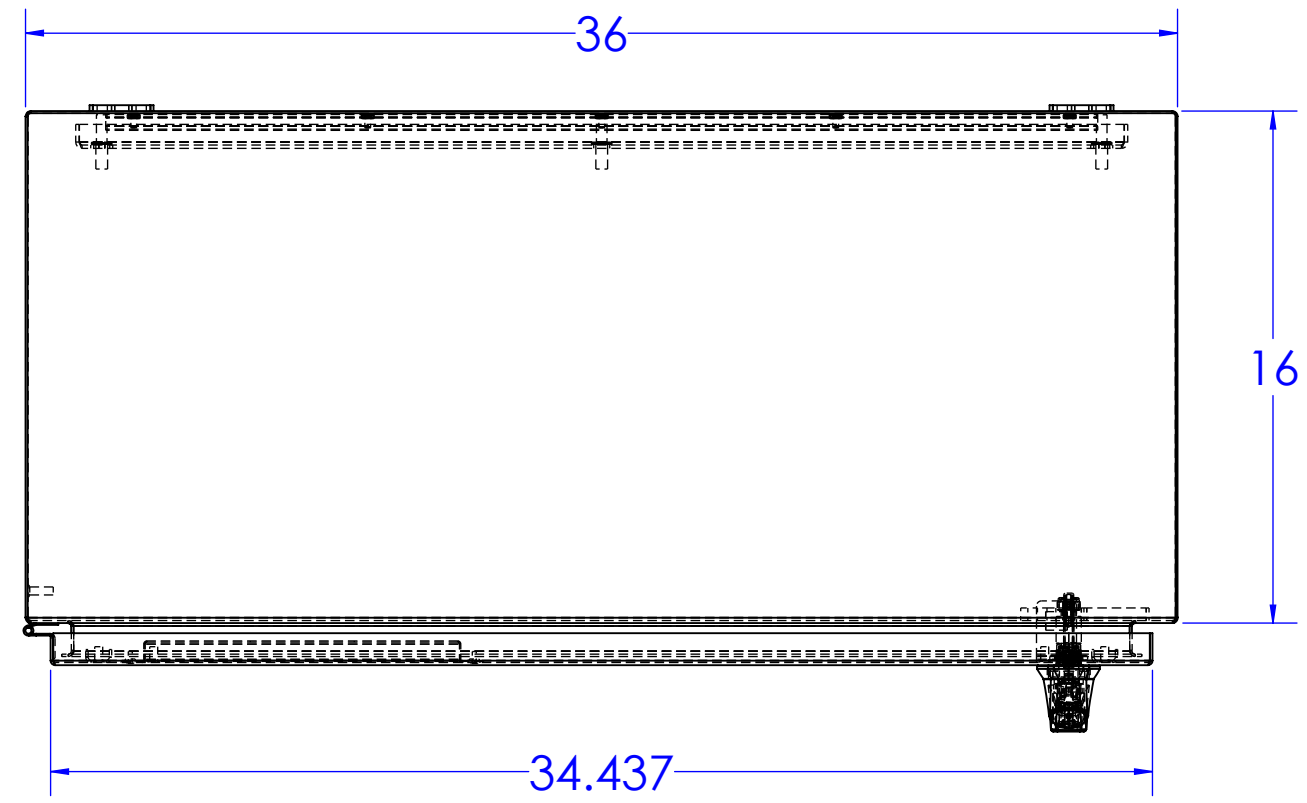
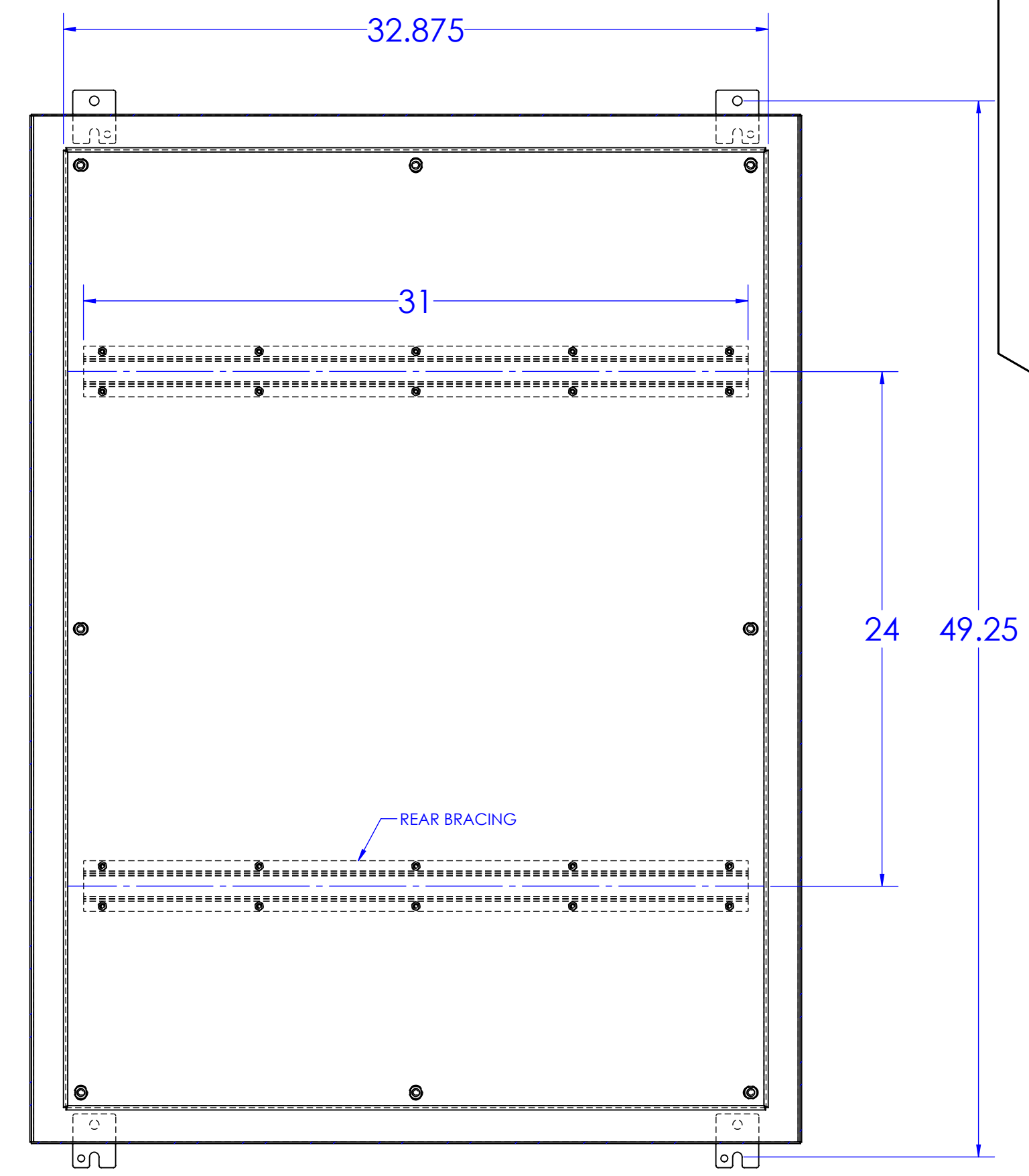


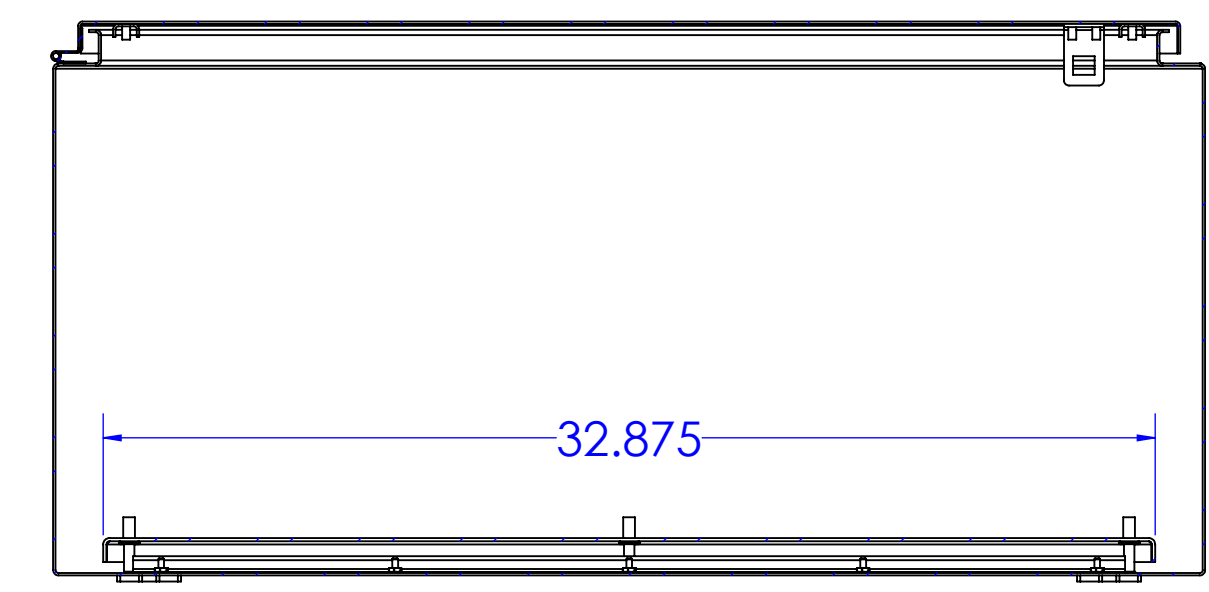
REVISIONS			
REV.	DESCRIPTION	DATE	APPROVED



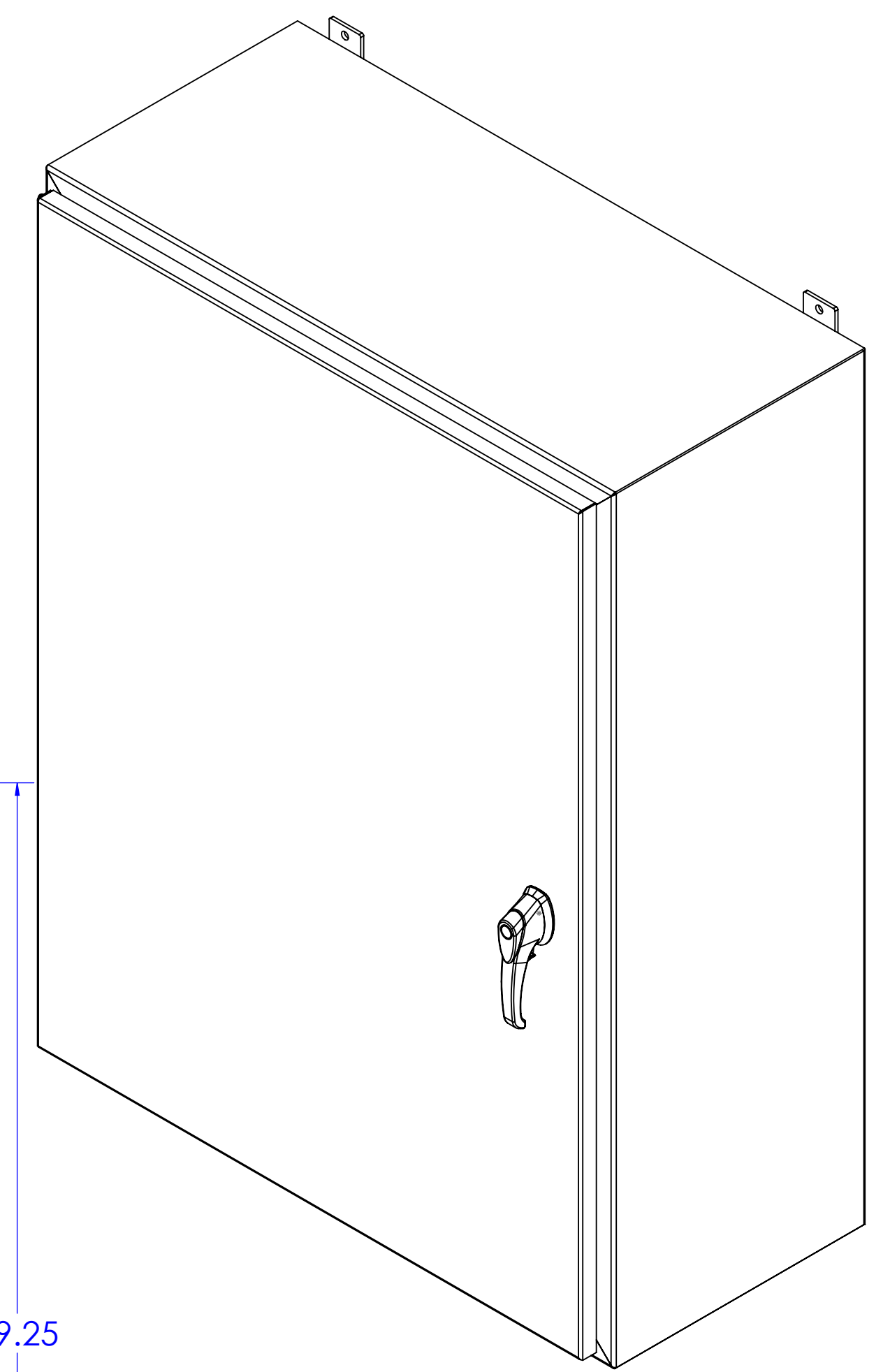
SECTION C-C



SECTION E-E



SECTION D-D



**PROPRIETARY AND CONFIDENTIAL**  
 THE INFORMATION CONTAINED IN THIS DRAWING IS THE SOLE PROPERTY OF RALSTON METAL PRODUCTS. ANY REPRODUCTION OR TRANSMISSION WITHOUT THE WRITTEN PERMISSION OF RALSTON METAL PRODUCTS IS PROHIBITED.

**UNLESS OTHERWISE SPECIFIED**  
 DIMENSIONS ARE IN INCHES  
 TOLERANCES:  
 FINISHES:  
 ANGLE AS SHOWN  
 ONE PLACE DECIMAL  
 TWO PLACE DECIMAL  
 THREE PLACE DECIMAL  
 FOUR PLACE DECIMAL  
 FIVE PLACE DECIMAL  
 SIX PLACE DECIMAL  
 SEVEN PLACE DECIMAL  
 EIGHT PLACE DECIMAL  
 NINE PLACE DECIMAL  
 TENTH PLACE DECIMAL  
 ELEVENTH PLACE DECIMAL  
 TWELFTH PLACE DECIMAL  
 THIRTEENTH PLACE DECIMAL  
 FOURTEENTH PLACE DECIMAL  
 FIFTEENTH PLACE DECIMAL  
 SIXTEENTH PLACE DECIMAL  
 SEVENTEENTH PLACE DECIMAL  
 EIGHTEENTH PLACE DECIMAL  
 NINETEENTH PLACE DECIMAL  
 TWENTIETH PLACE DECIMAL

SEE BOM  
 FRUIT  
 SEE BOM  
 DO NOT SCALE DRAWING

NAME	DATE
DRAWN BY: WAYNE STINNETT	2023-12-20
ISSUED BY: WAYNE STINNETT	2023-12-20
JOB ORDER NO.:	

CUSTOMER: RALSTON STOCK  
 PREPARED BY: JAMES

SCALE: 1:1  
 WEIGHT: 197.532  
 SHEET 1 OF 1

**Ralston**  
 Metal Products Limited  
 15 WESTON ROAD  
 GUILDFORD, ONTARIO N4L 1B2  
 PHONE: 519-886-0888  
 TOLL FREE: 1-800-365-7611  
 FAX: 519-886-0891  
 WWW.RALSTONMETAL.COM

SEE: PART NAME: **D N43P-SS-483616** REV: -  
 PART NO. N43P-SS-483616  
 SCALE: 1:1 WEIGHT: 197.532 SHEET 1 OF 1