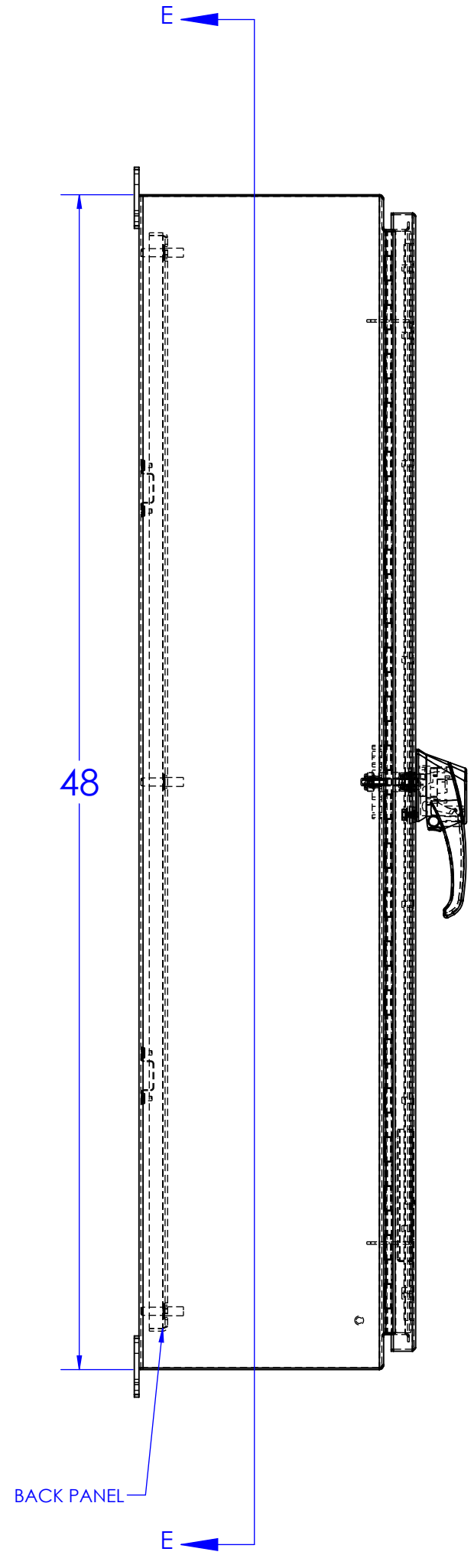
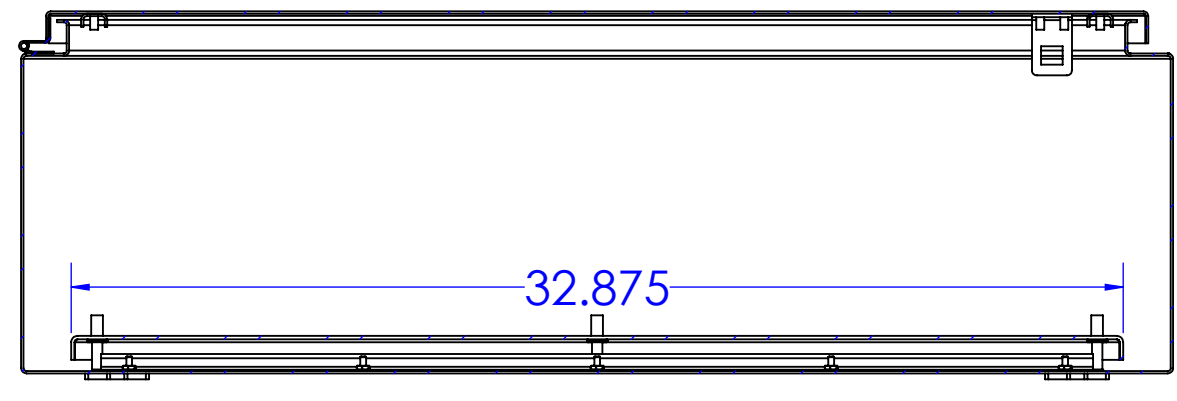
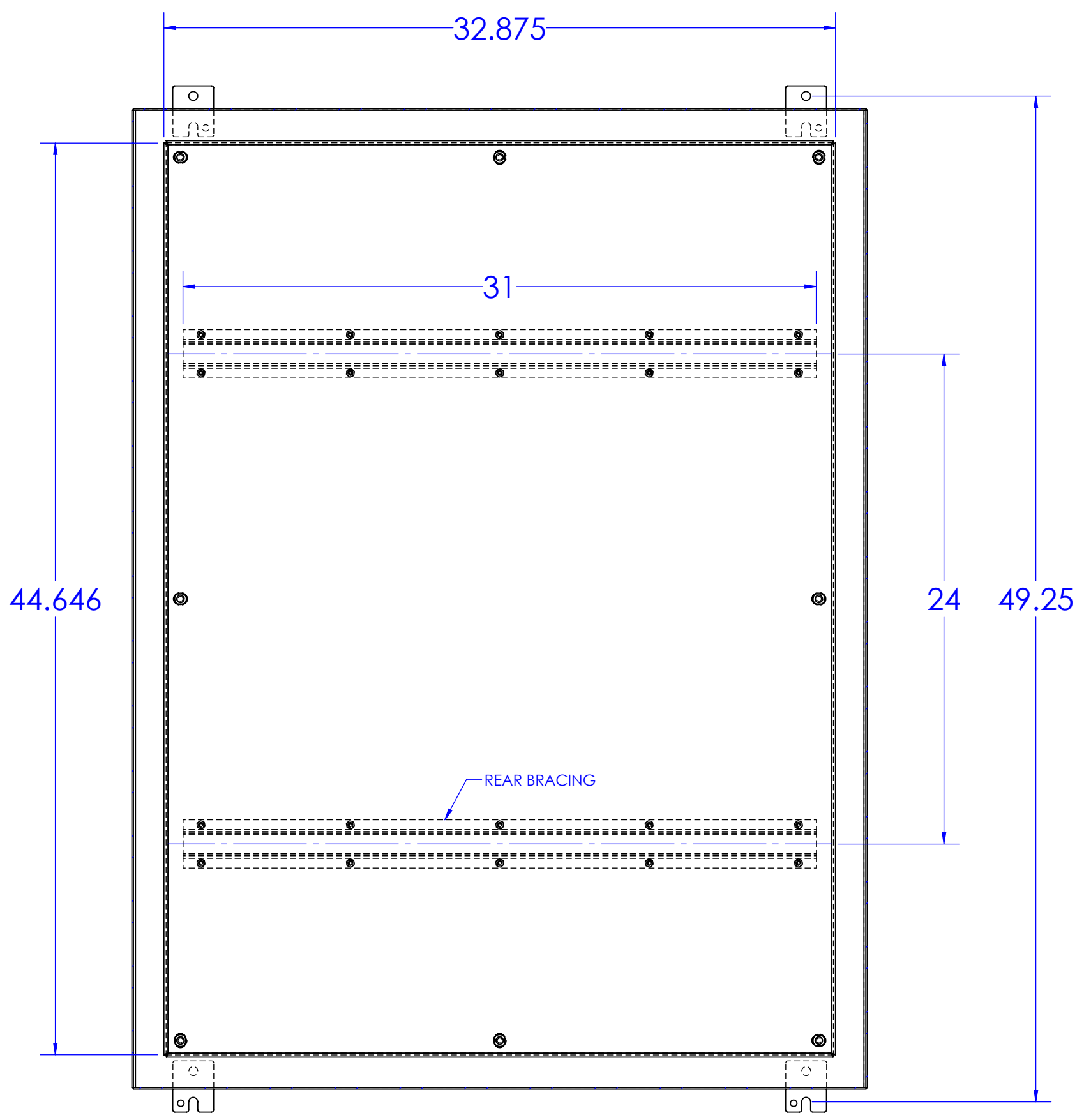
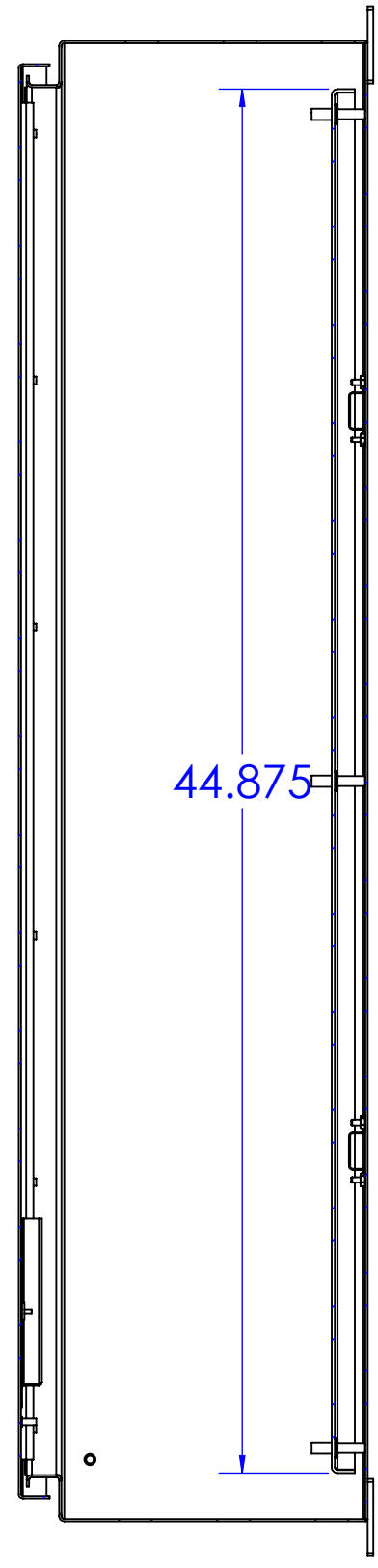
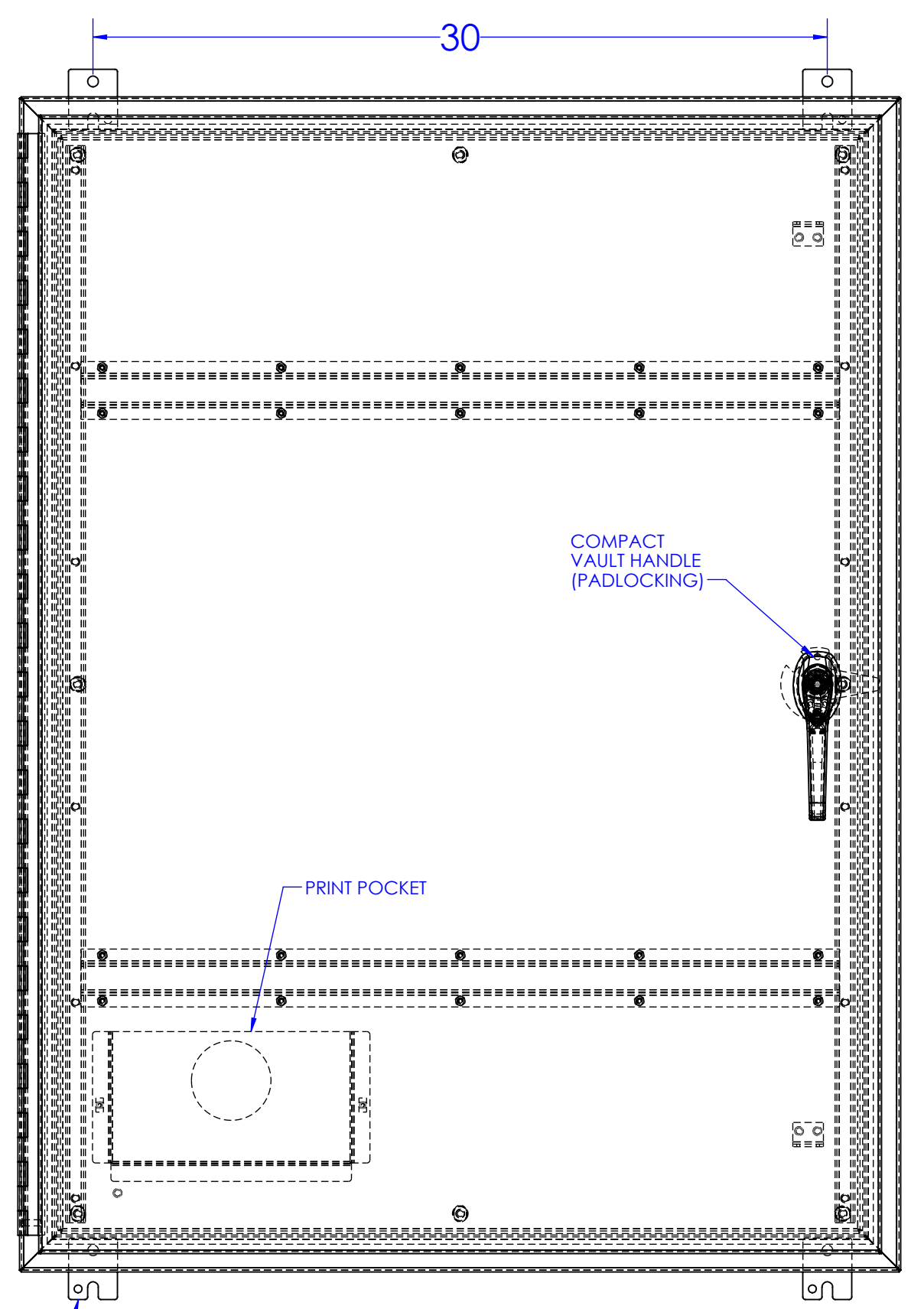
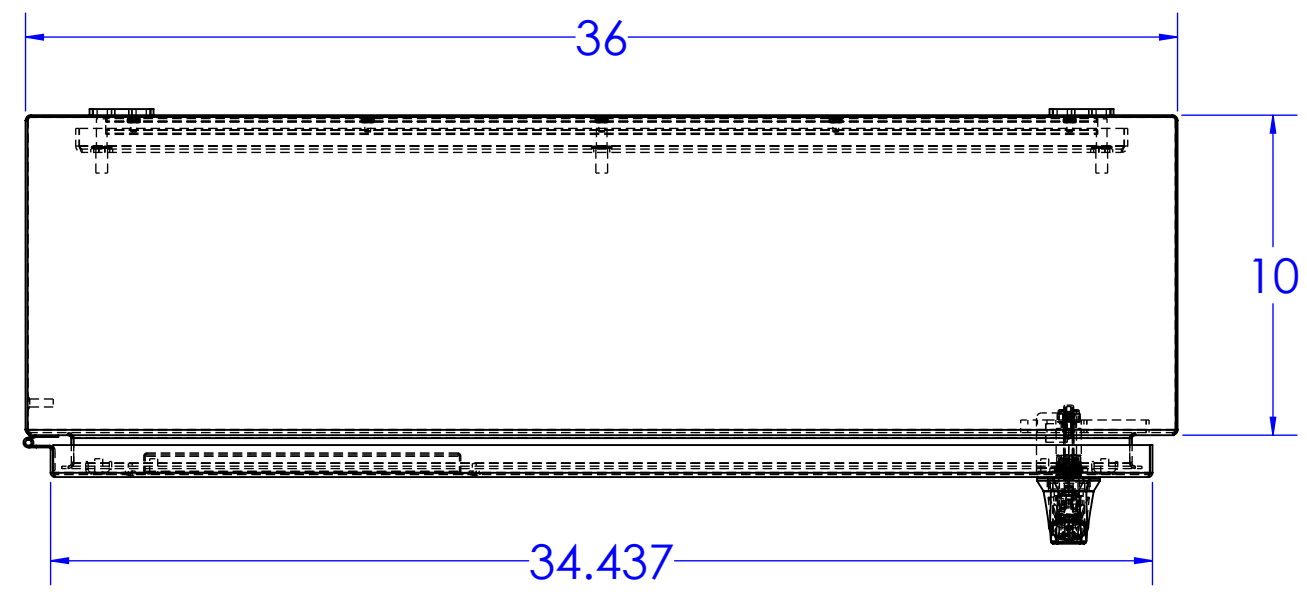
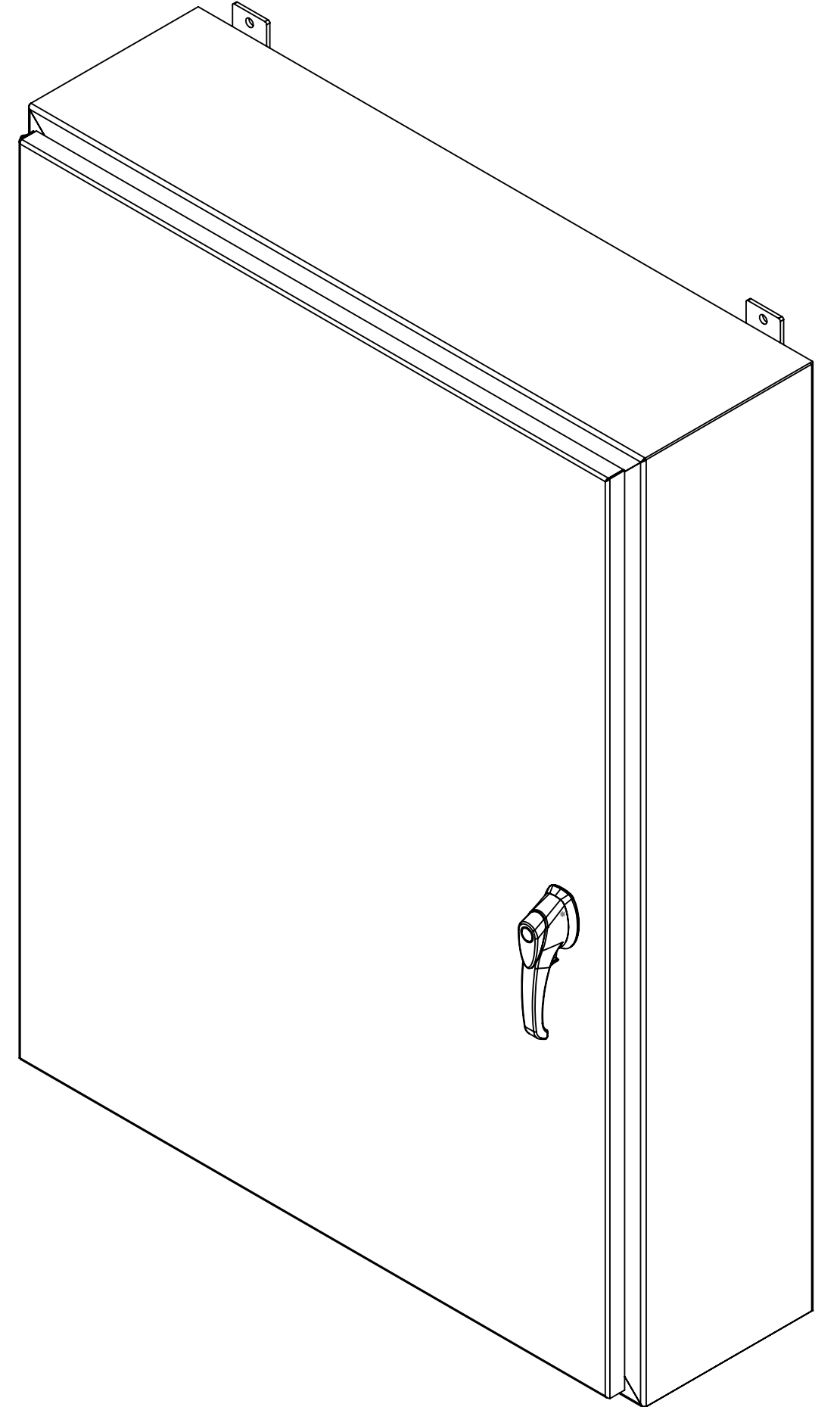


REVISIONS			
REV.	DESCRIPTION	DATE	APPROVED



PROPRIETARY AND CONFIDENTIAL
 THE INFORMATION CONTAINED IN THIS DRAWING IS THE SOLE PROPERTY OF RALSTON METAL PRODUCTS. ANY REPRODUCTION OR TRANSMISSION WITHOUT THE WRITTEN PERMISSION OF RALSTON METAL PRODUCTS IS PROHIBITED.

UNLESS OTHERWISE SPECIFIED
 DIMENSIONS ARE IN INCHES
 TOLERANCES:
 FINISHES:
 ANGULAR MATCHES: REND. 1/16"
 ONE PLACE DECIMAL .5"
 TWO PLACE DECIMAL .01"
 THREE PLACE DECIMAL .005"
 SURF. FINISHES:
 UNLESS OTHERWISE SPECIFIED

SEE BOM
 FRUIT
 SEE BOM
 DO NOT SCALE DRAWING

NAME	DATE
DRAWN BY: WAYNE STINNETT	2023-12-20
ISSUED BY: WAYNE STINNETT	2023-12-20
JOB ORDER NO.:	

CUSTOMER: **RALSTON STOCK**
 PREPARED BY: JLS

SEE: PART NAME: **D N43P-SS-483610** REV: -

PART NO. N43P-SS-483610
 SCALE: 1:1
 WEIGHT: 175.748
 SHEET 1 OF 1

