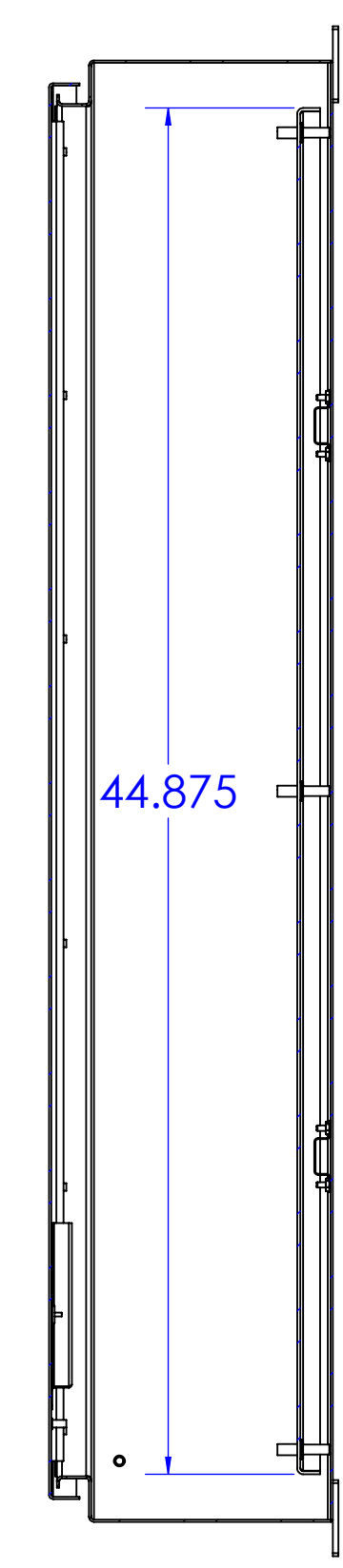
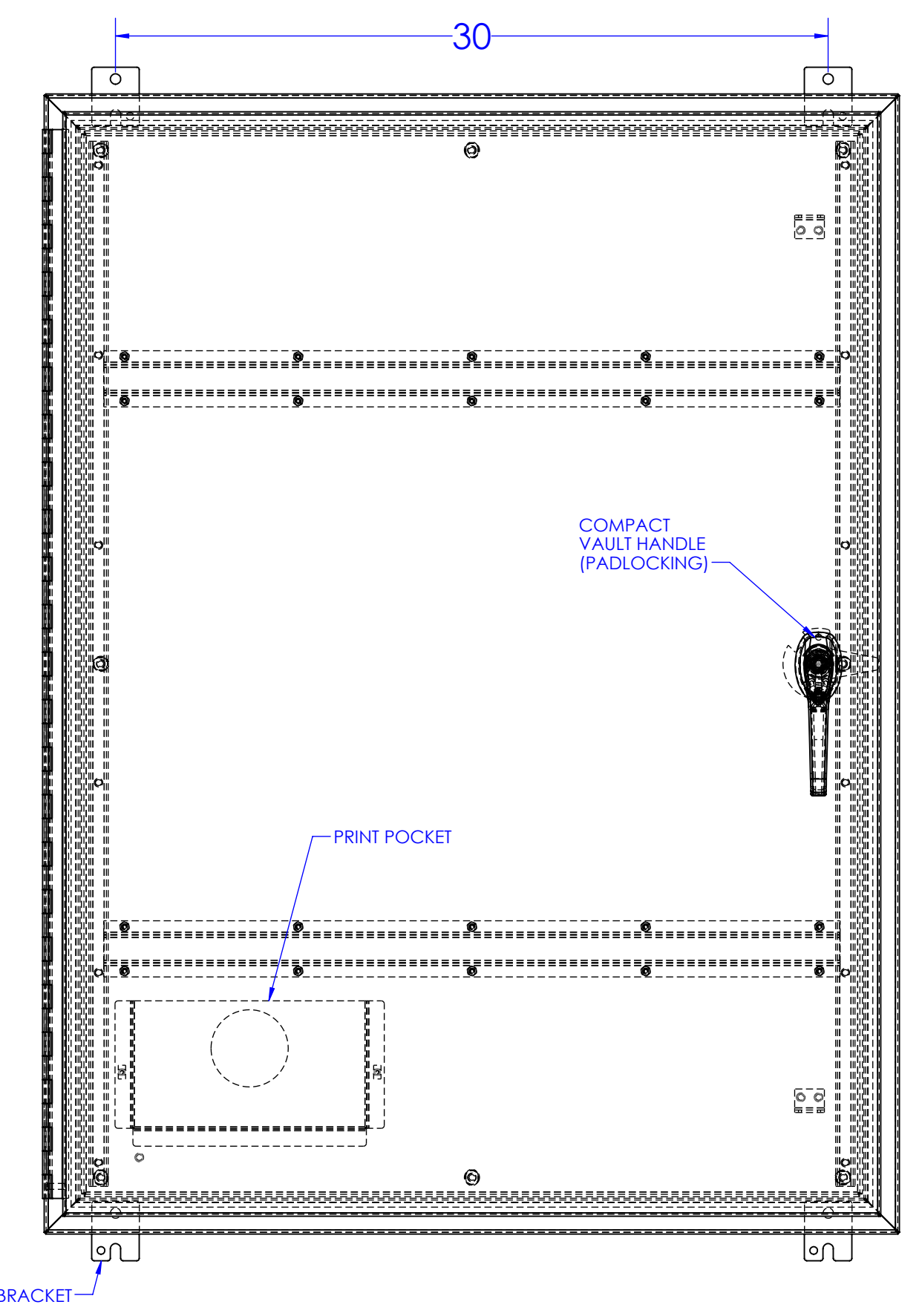
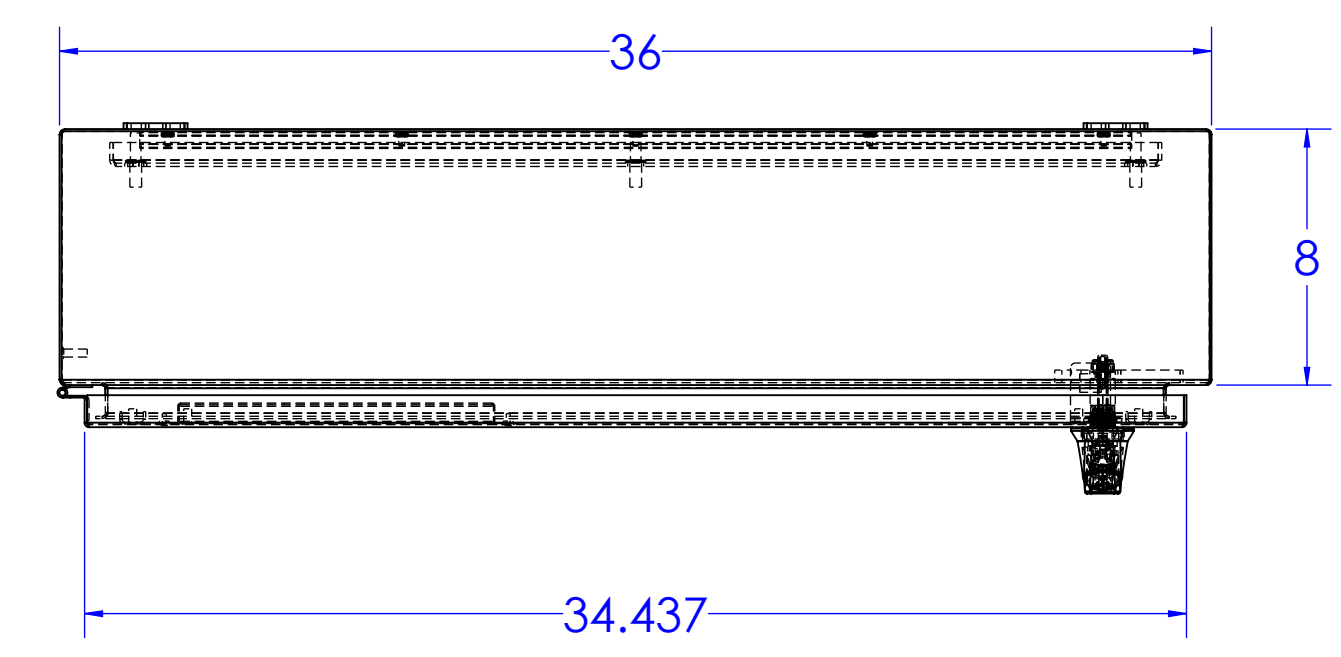
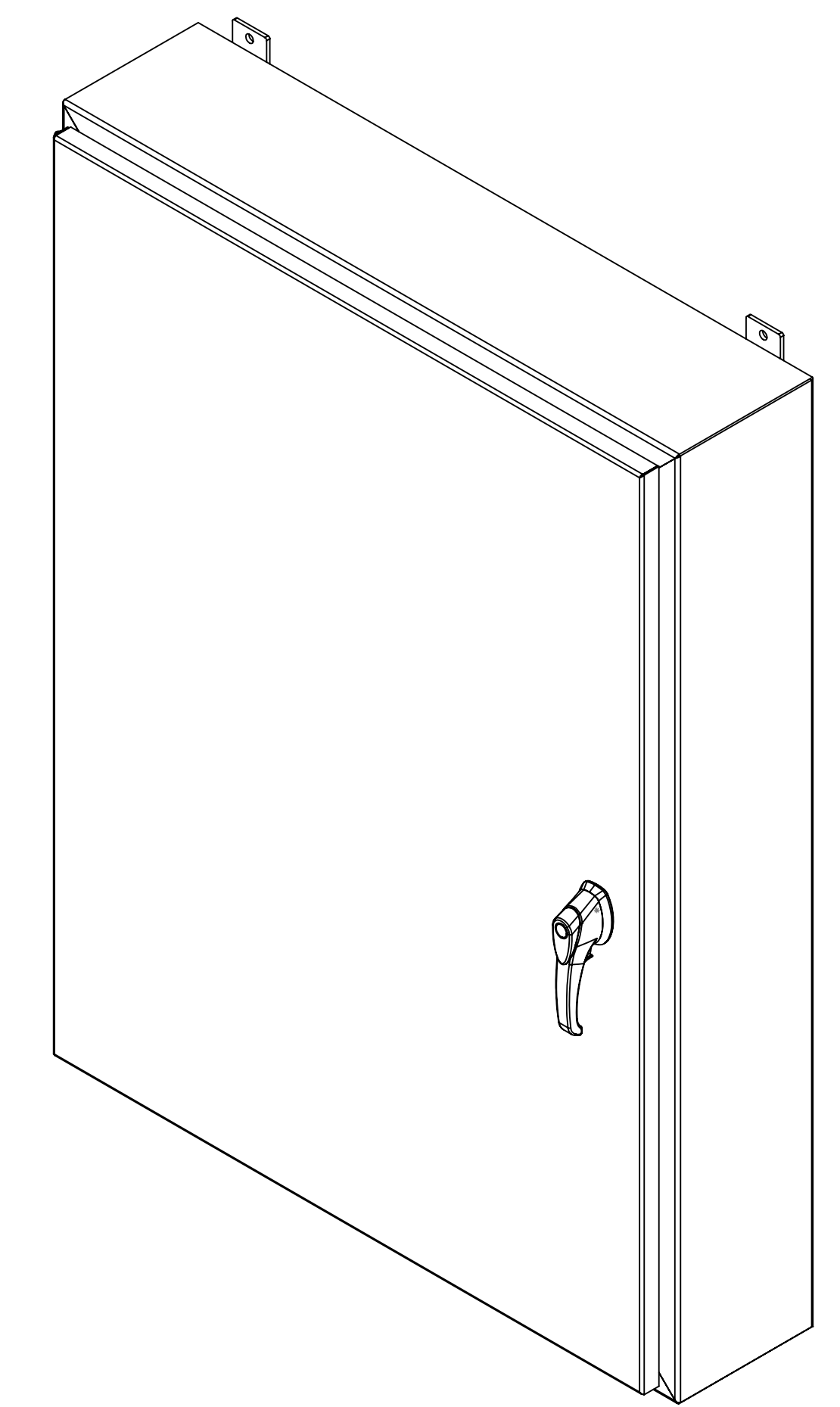
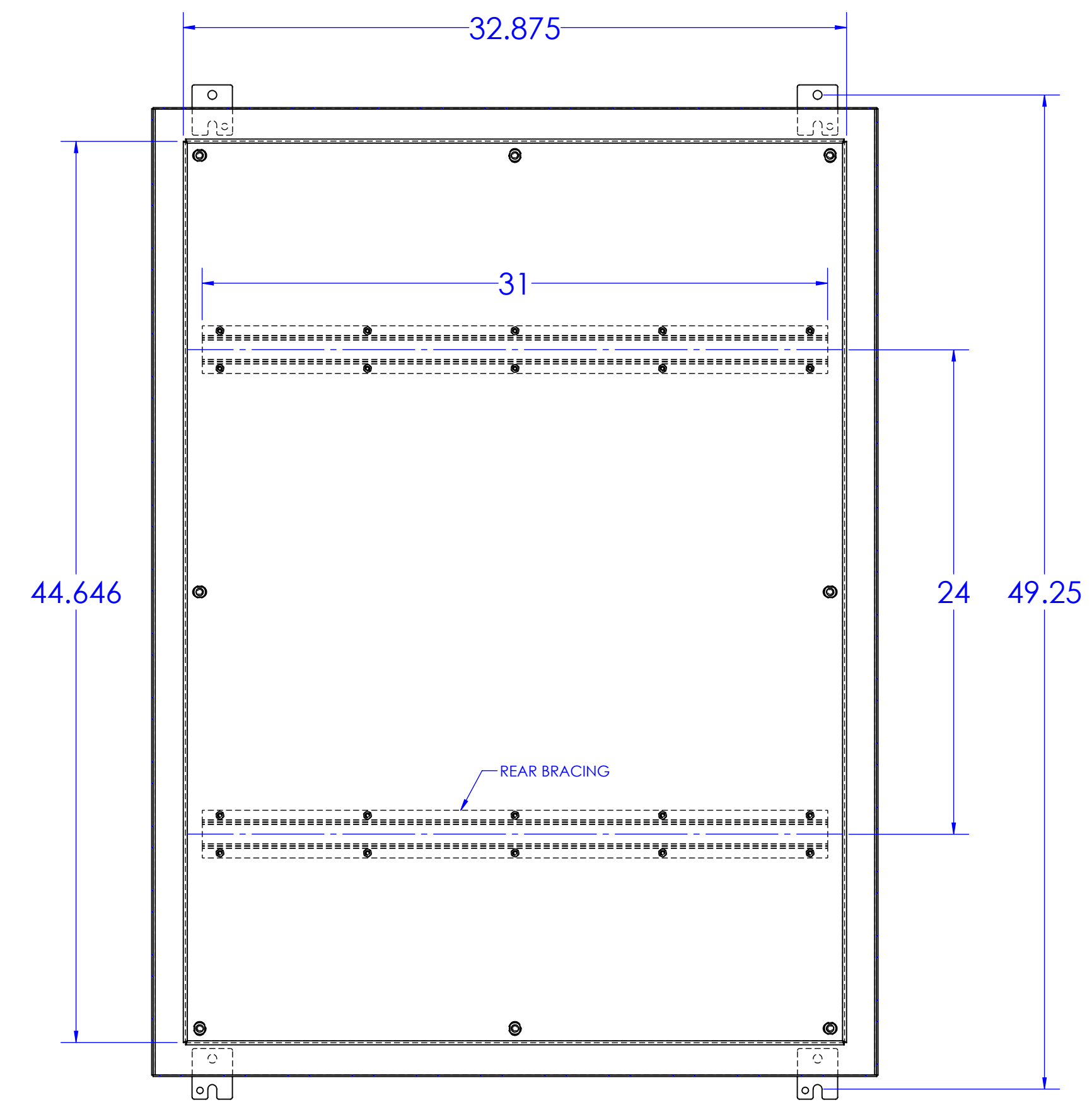


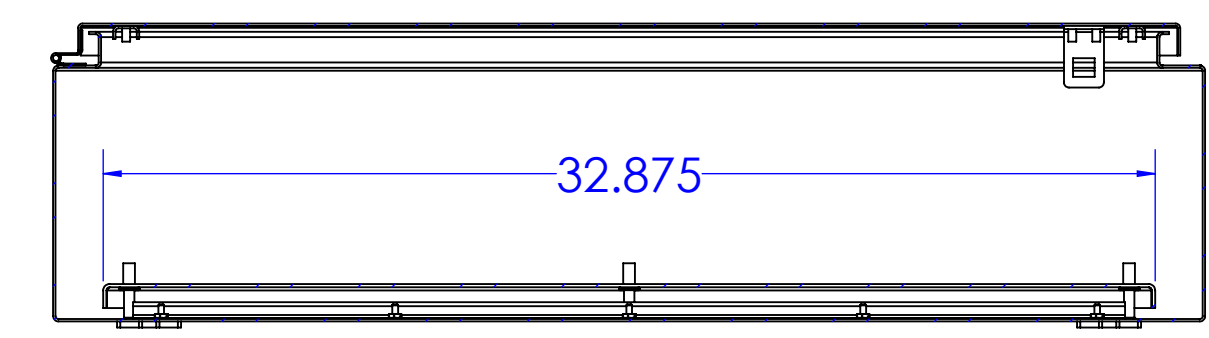
REVISIONS			
REV.	DESCRIPTION	DATE	APPROVED



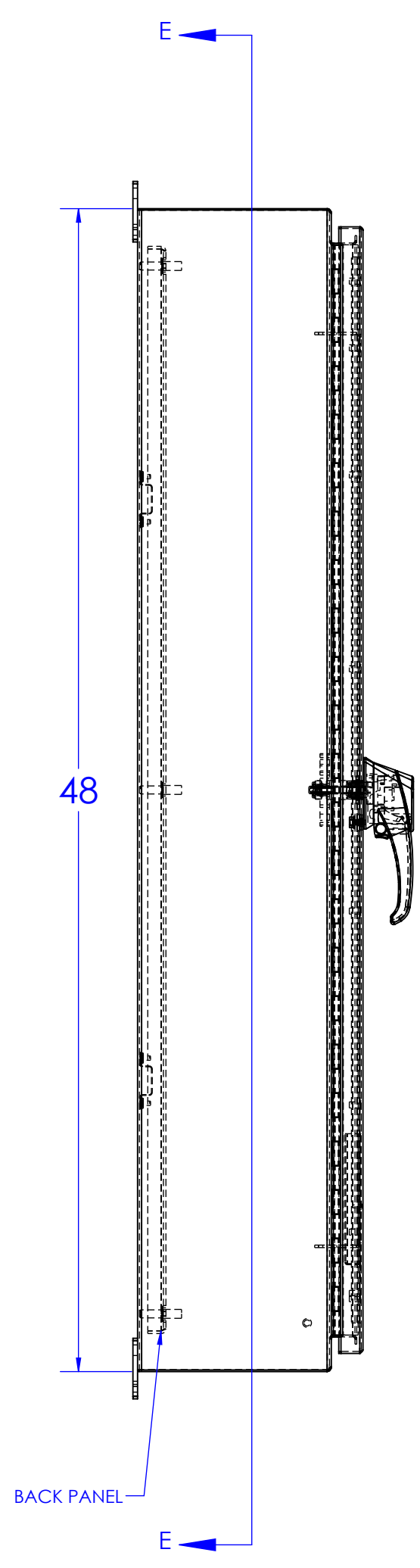
SECTION C-C



SECTION E-E



SECTION D-D



<b>PROPRIETARY AND CONFIDENTIAL</b>		NAME	DATE	10 WESTON ROAD GUELPH, ONTARIO N1L 1K2		
THE INFORMATION CONTAINED IN THIS DRAWING IS THE SOLE PROPERTY OF RALSTON METAL PRODUCTS. ANY REPRODUCTION OR TRANSMISSION WITHOUT THE WRITTEN PERMISSION OF RALSTON METAL PRODUCTS IS PROHIBITED.		DRAWN BY	WAYNE STINNETT	2023-12-20	ISSUED BY	WAYNE STINNETT
UNLESS OTHERWISE SPECIFIED DIMENSIONS ARE IN INCHES TOLERANCES: FINISH: DIMENSIONS: ANGULAR MATCH: HOLE: ONE PLACE DECIMAL TWO PLACE DECIMAL THREE PLACE DECIMAL FOUR PLACE DECIMAL		JOB ORDER NO.		CUSTOMER DRAWING NO.		
SEE BOM		CUSTOMER: RALSTON STOCK		PART NAME: N43P-SS-483608		
SEE BOM		PART NO. N43P-SS-483608		WEIGHT: 168.487		
DO NOT SCALE DRAWING		THIRD ANGLE PROJECTION		SCALE: 1:1 SHEET 1 OF 1		

