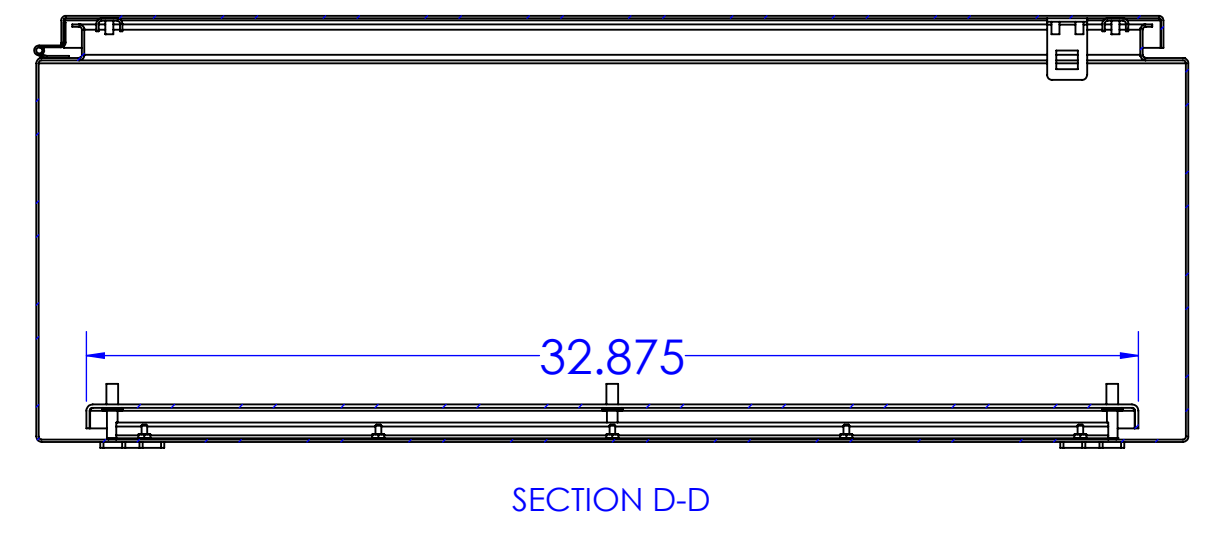
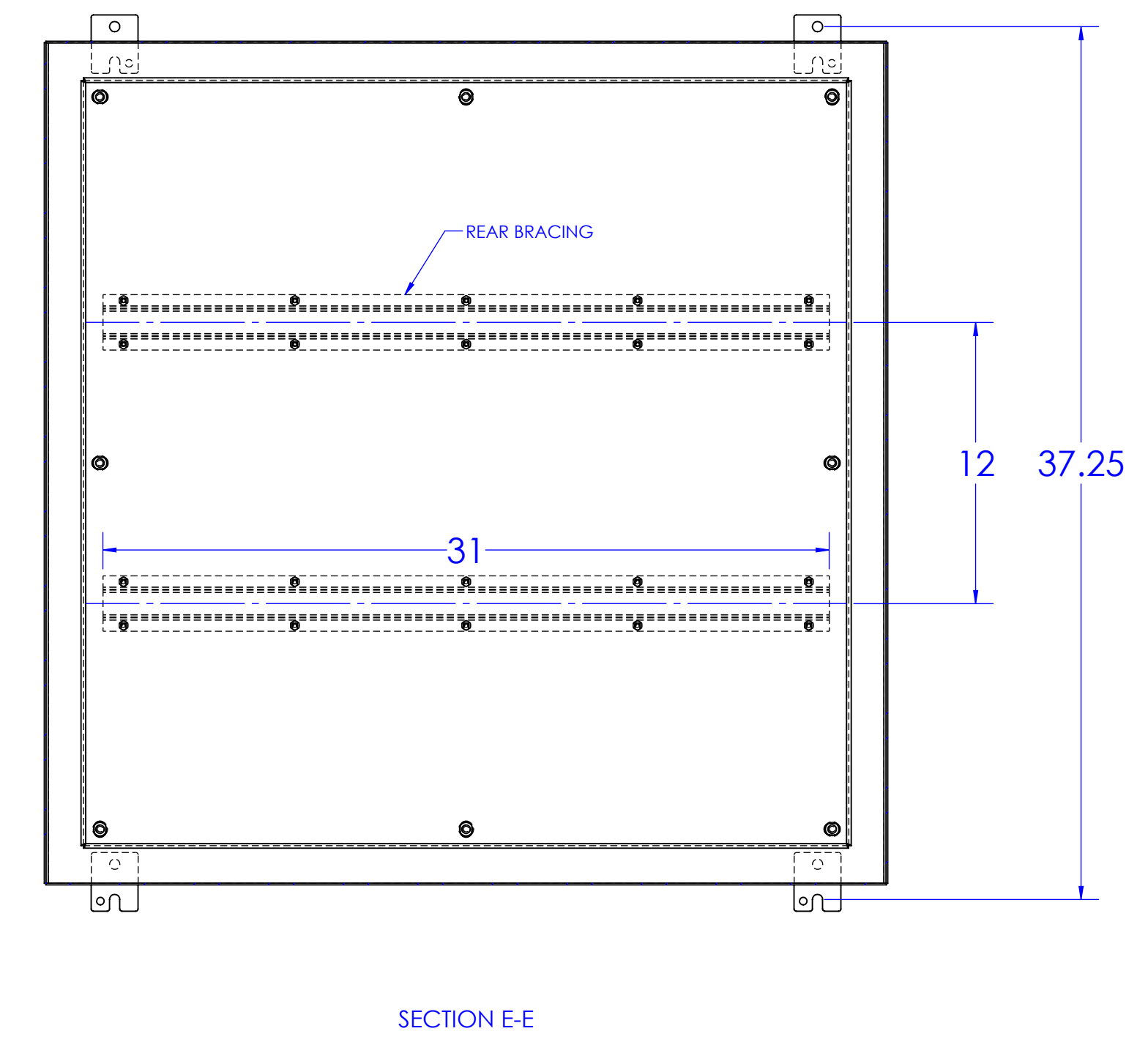
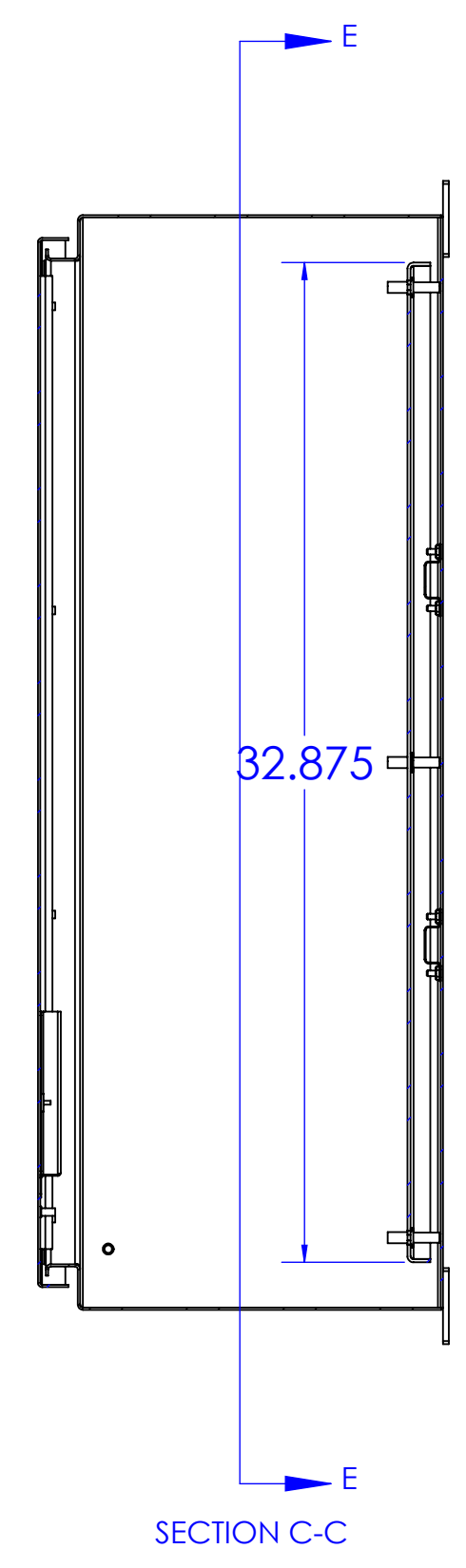
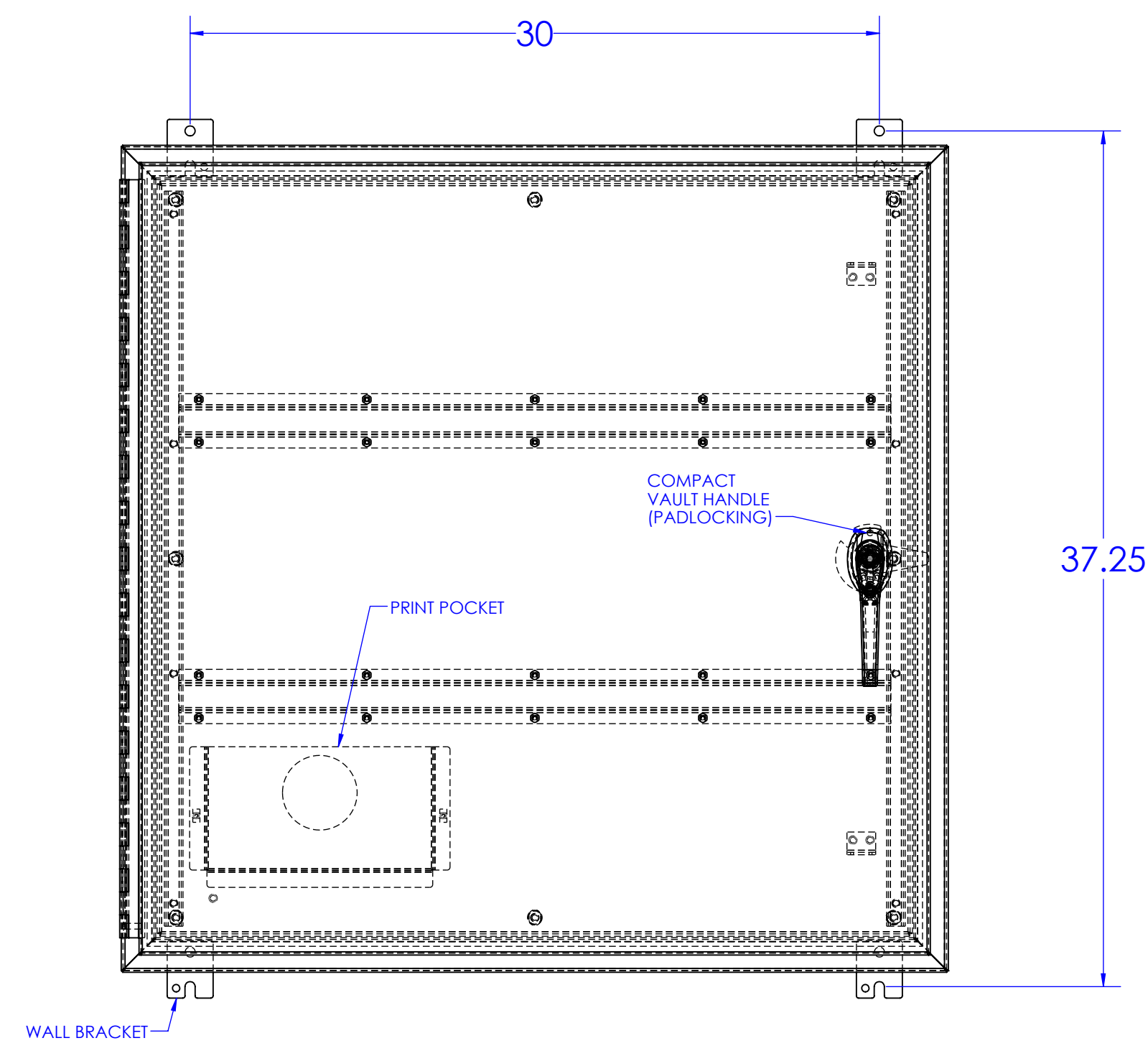
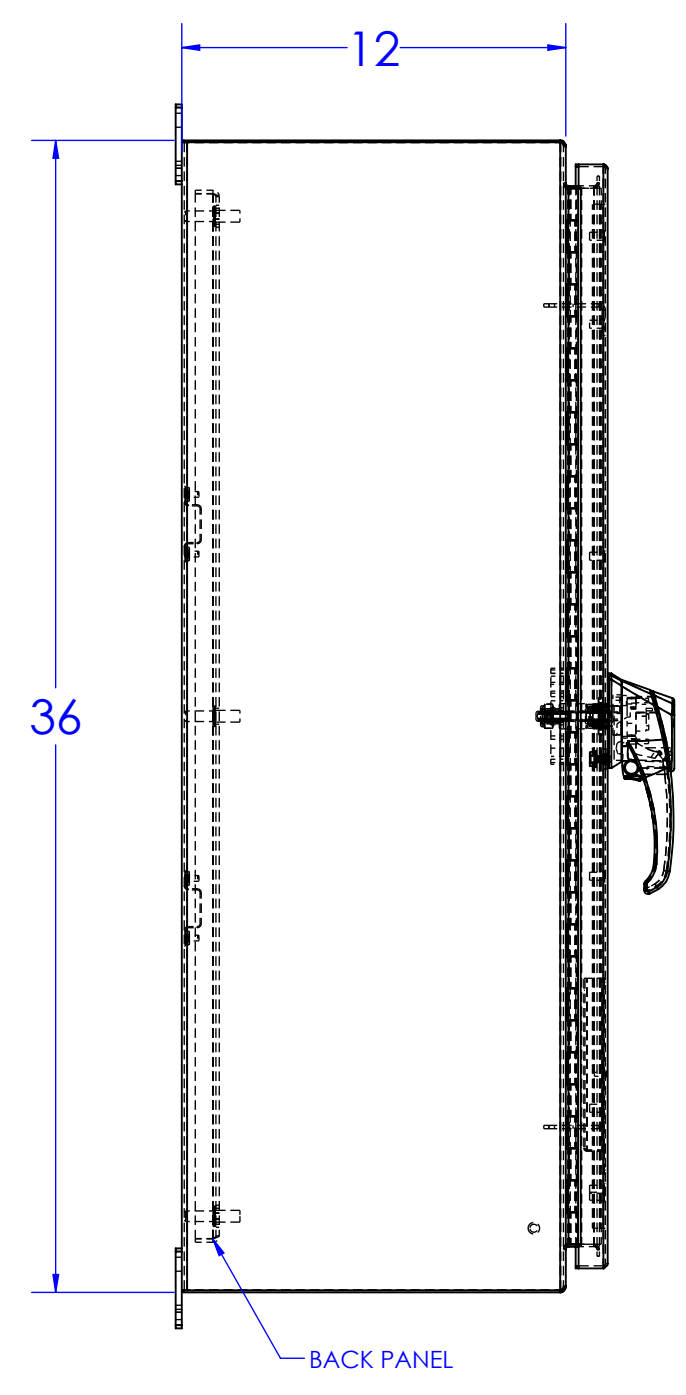
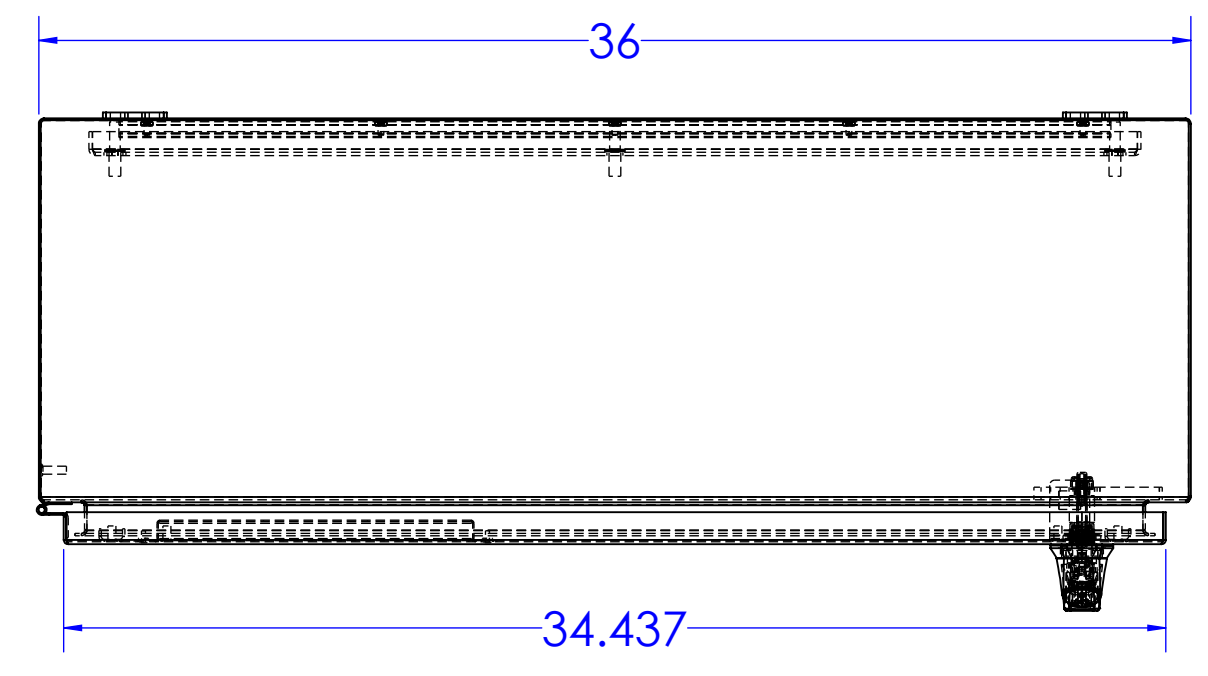
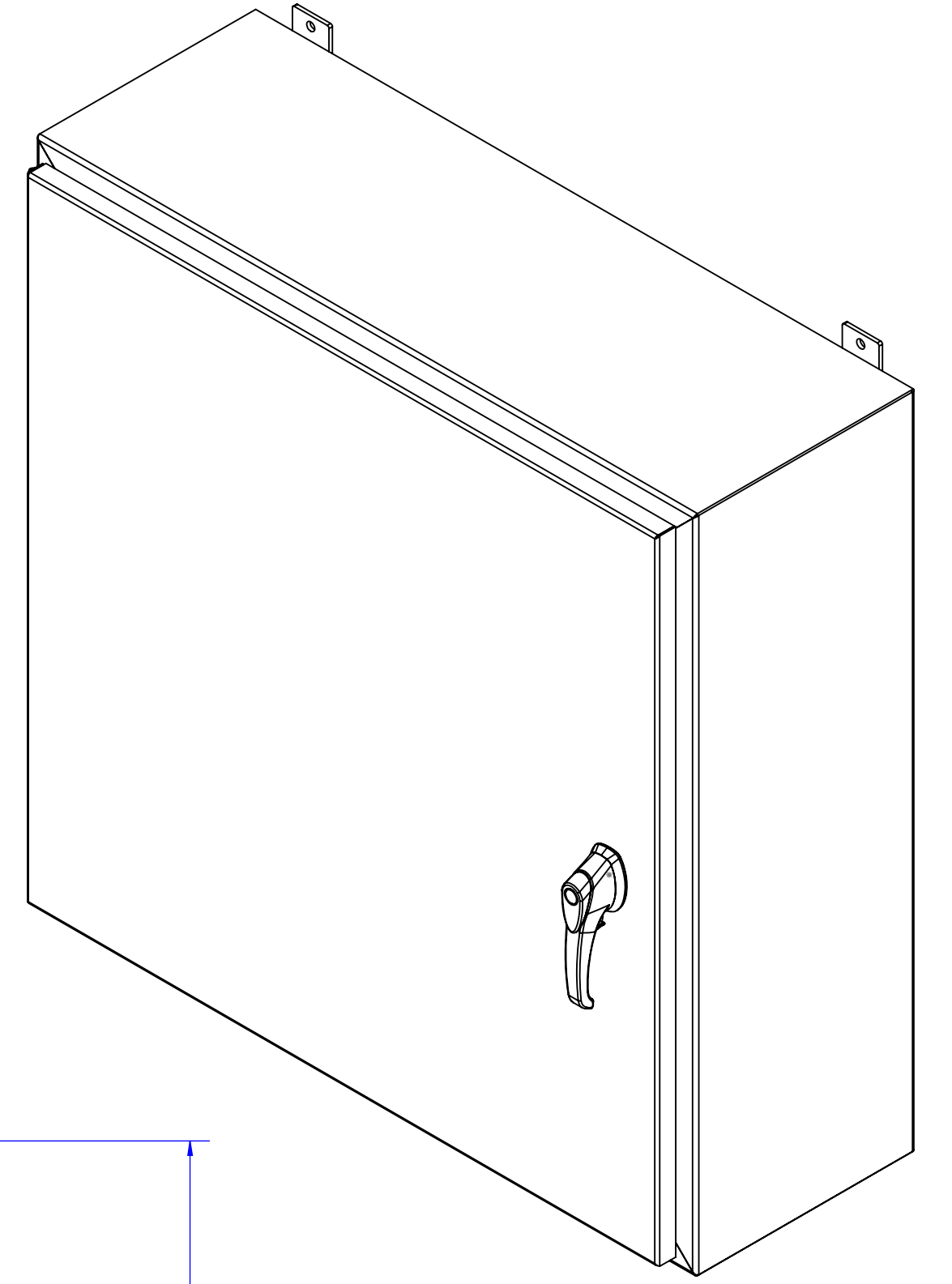


REVISIONS			
REV.	DESCRIPTION	DATE	APPROVED



PROPRIETARY AND CONFIDENTIAL THE INFORMATION CONTAINED IN THIS DRAWING IS THE SOLE PROPERTY OF RALSTON METAL PRODUCTS. ANY REPRODUCTION OR TRANSMISSION OF THIS DRAWING WITHOUT THE WRITTEN PERMISSION OF RALSTON METAL PRODUCTS IS PROHIBITED.		<small>19 WESTON ROAD GUELPH, ONTARIO N1L 1E2 PHONE: 519-836-0888 TOLL FREE: 1-800-365-7611 FAX: 519-836-0891</small>
<small>DRAWN BY: WAYNE STINNETT ISSUED BY: WAYNE STINNETT JOB ORDER NO.:</small>	<small>NAME: N43P-SS-363612 DATE: 2023-12-20 2023-12-20</small>	<small>CUSTOMER: RALSTON STOCK PROF. DRAWING NUMBER:</small>
<small>UNLESS OTHERWISE SPECIFIED: DIMENSIONS ARE IN INCHES TOLERANCES: FINISHES: FRONT SURFACE: 1/32" ANGULAR SURFACES: 1/32" ONE FACE DIMENSION: ±0.015" TWO FACE DIMENSION: ±0.010" THREE FACE DIMENSION: ±0.010" HOLE POSITION: ±0.010" HOLE SIZE: ±0.010"</small>	<small>CUSTOMER DRAWING NO.:</small> 	<small>SCALE: 1:1 WEIGHT: 143.368 SHEET 1 OF 1</small>
<small>SEE BOM FRONT SEE BOM DO NOT SCALE DRAWING</small>	<small>SEE BOM FRONT SEE BOM DO NOT SCALE DRAWING</small>	<small>SEE BOM FRONT SEE BOM DO NOT SCALE DRAWING</small>