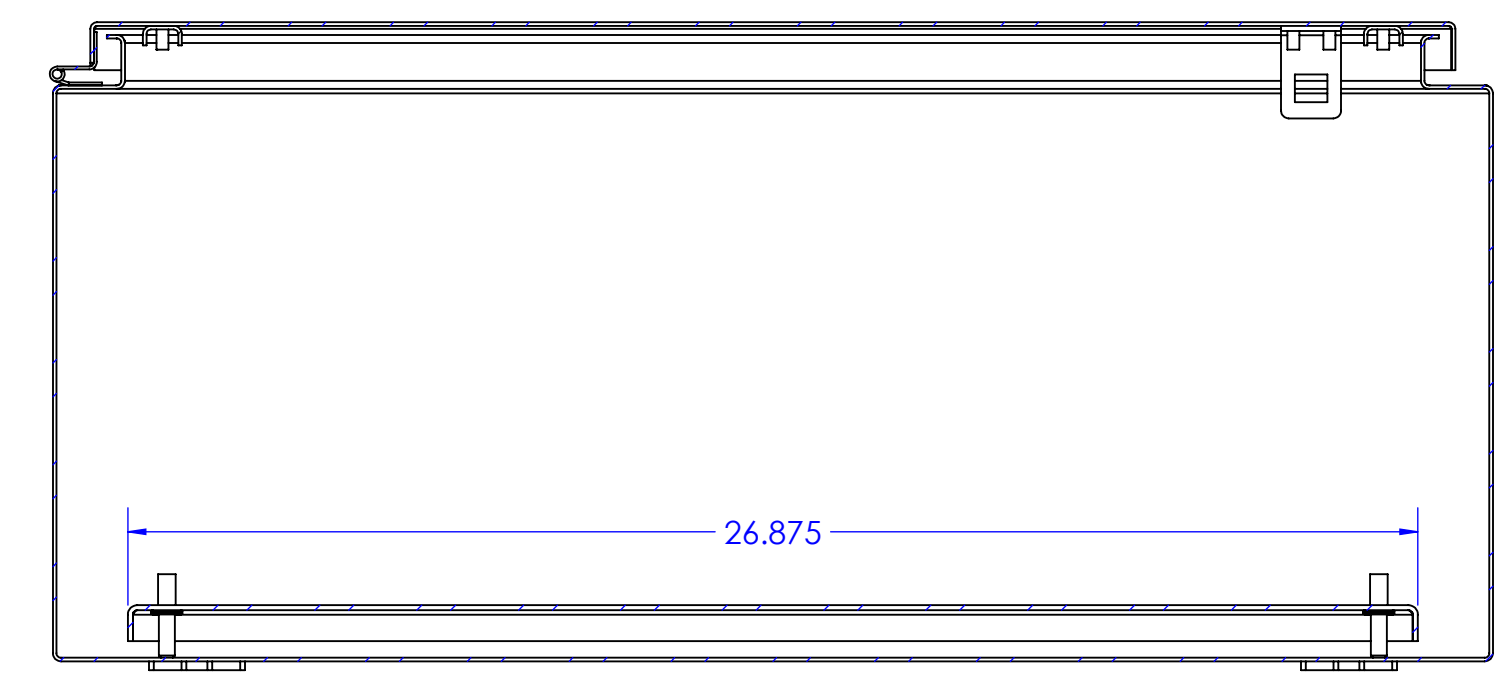
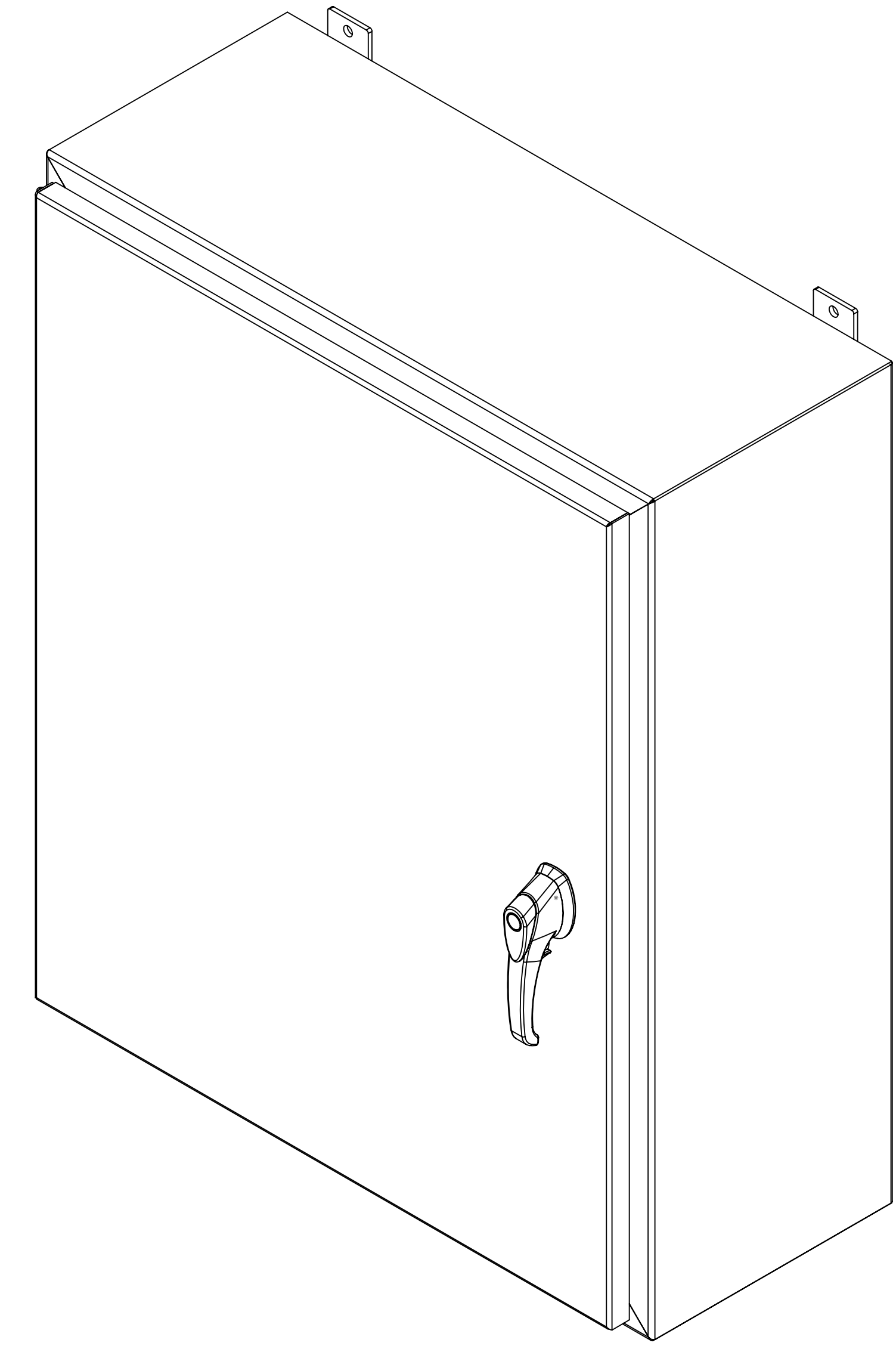
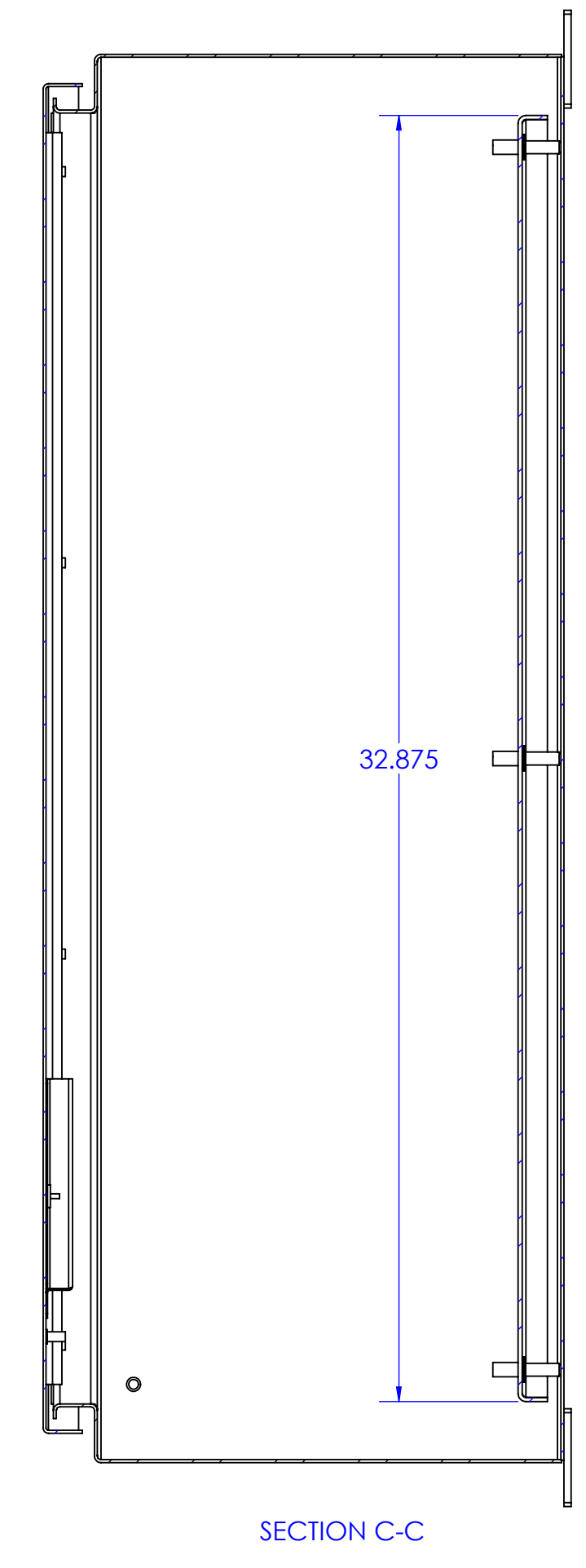
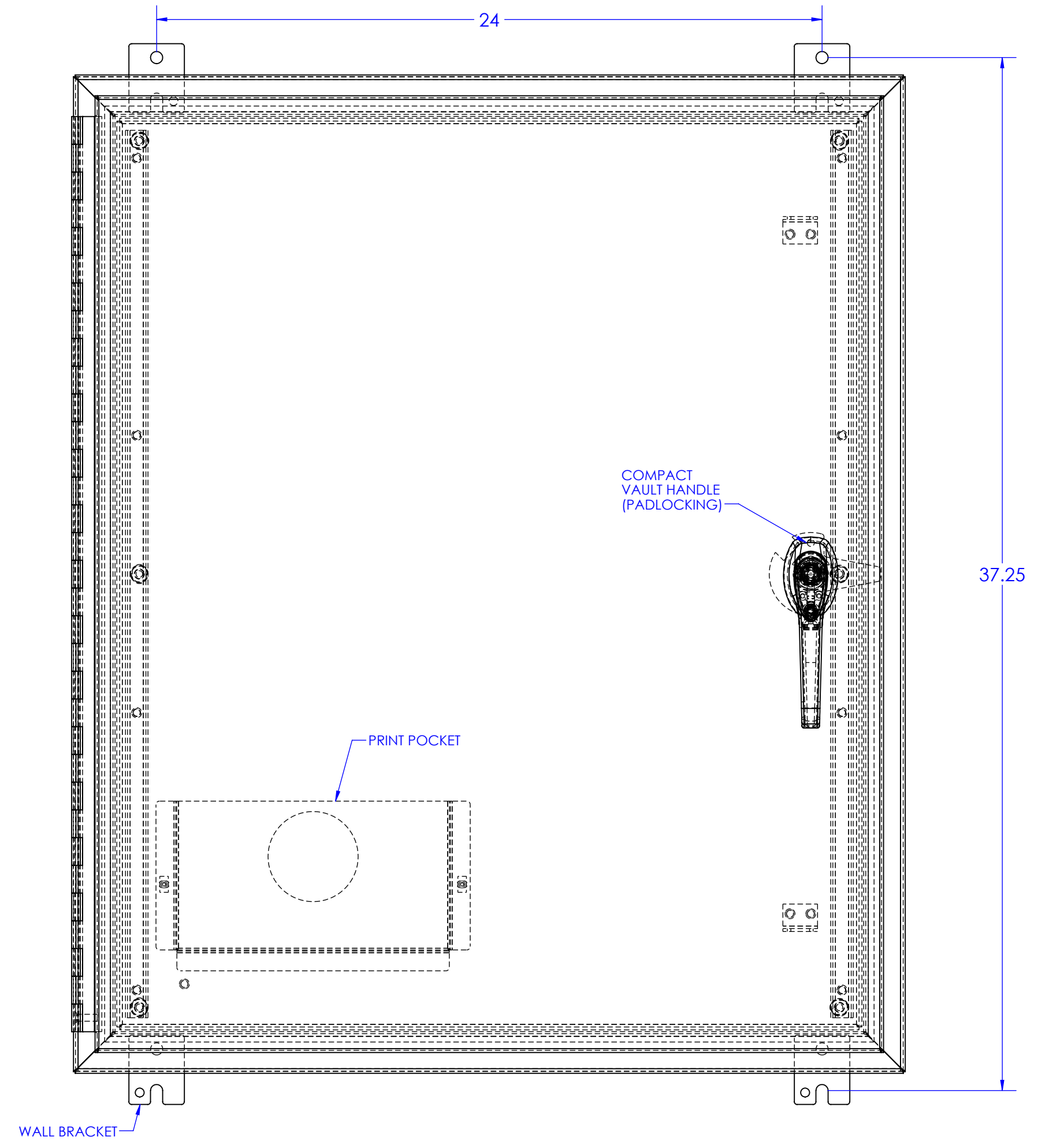
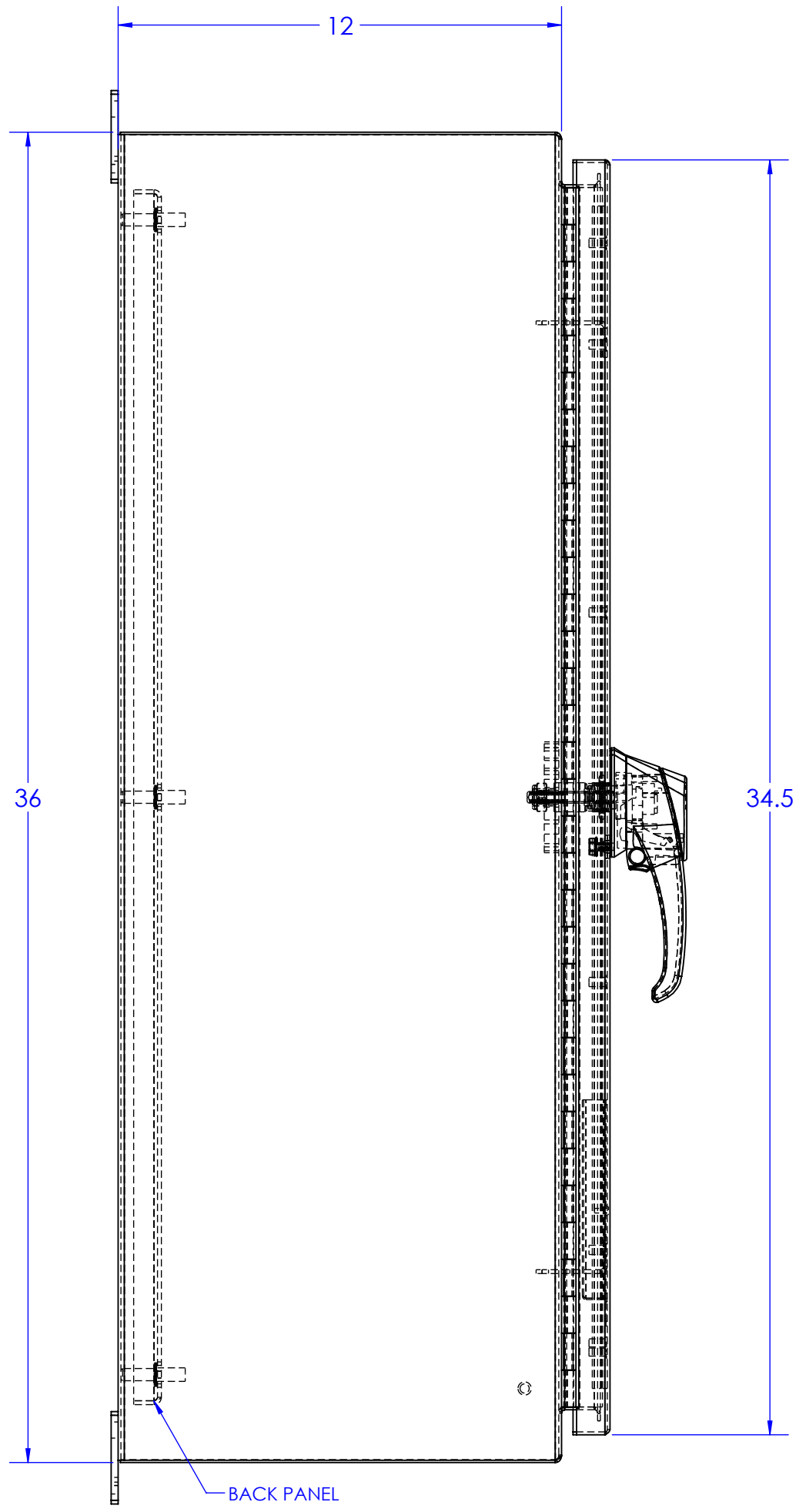
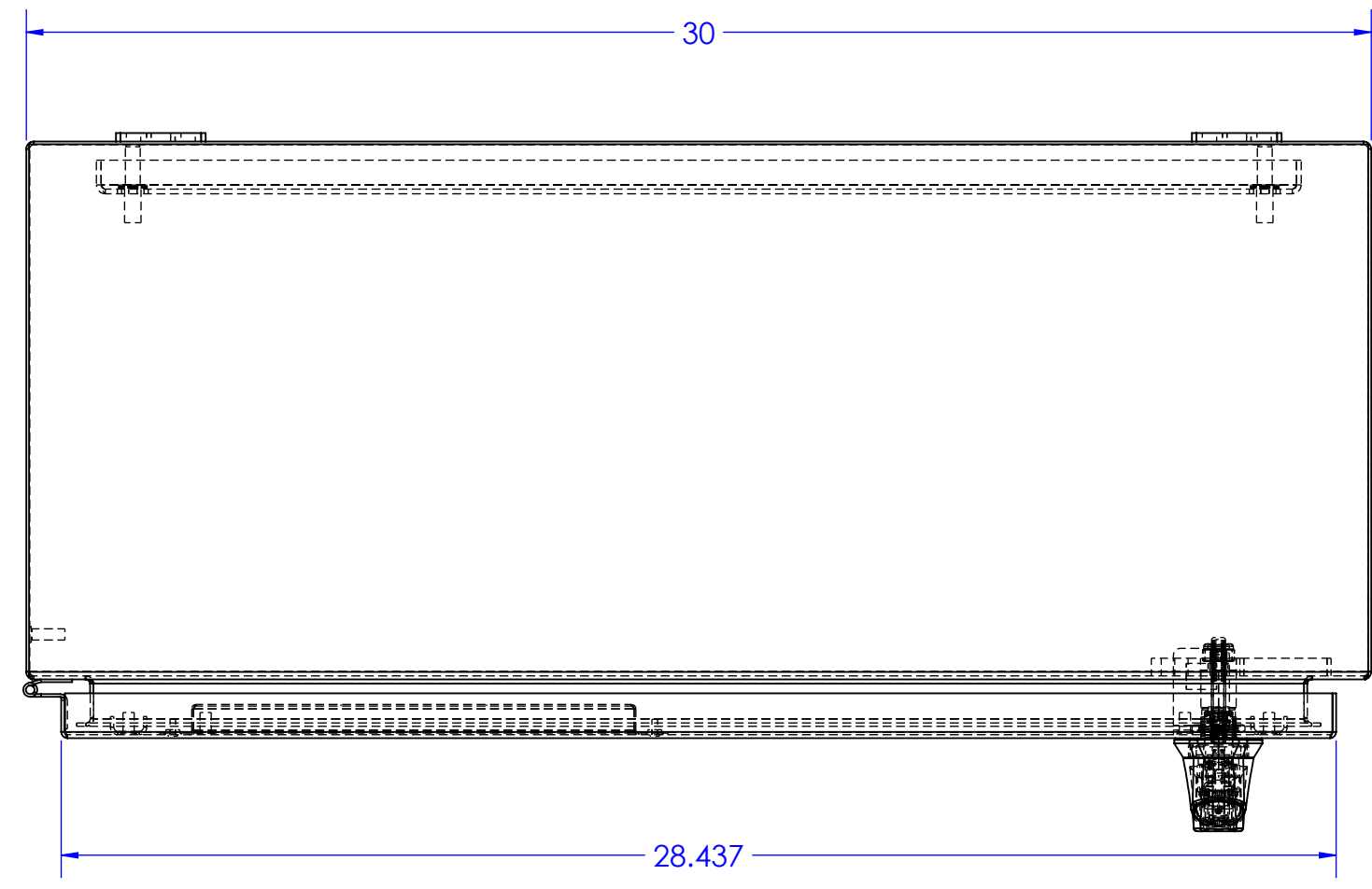


REVISIONS			
REV.	DESCRIPTION	DATE	APPROVED



PROPRIETARY AND CONFIDENTIAL THE INFORMATION CONTAINED IN THIS DRAWING IS THE SOLE PROPERTY OF RALSTON METAL PRODUCTS. ANY REPRODUCTION OR TRANSMISSION WITHOUT THE WRITTEN PERMISSION OF RALSTON METAL PRODUCTS IS PROHIBITED.		NAME: WAYNE STINNETT DATE: 2023-12-20 ISSUED BY: WAYNE STINNETT JOB ORDER NO: 2023-12-20	15 WESTON ROAD GUILDFORD ONTARIO N4L 1E2 PHONE: 519-848-0888 TOLL FREE: 1-800-363-7611 FAX: 519-848-0891
UNLESS OTHERWISE SPECIFIED DIMENSIONS ARE IN INCHES TOLERANCES: FINISH: POLISHED ANGLE: AS SHOWN ONE PLACE DECIMAL TWO PLACE DECIMAL THREE PLACE DECIMAL PERIOD UNLESS OTHERWISE SPECIFIED		CUSTOMER DRAWING NO: RALSTON STOCK PROF DRAWING NUMBER:	Ralston Metal Products Limited www.ralstonmetal.com
SEE BOM FRONT SEE BOM DO NOT SCALE DRAWING	THIRD ANGLE PROJECTION	PART NAME: D N43P-SS-363012 PART NO. N43P-SS-363012 SCALE: 1:4 WEIGHT: 121.928	REV: - SHEET 1 OF 1