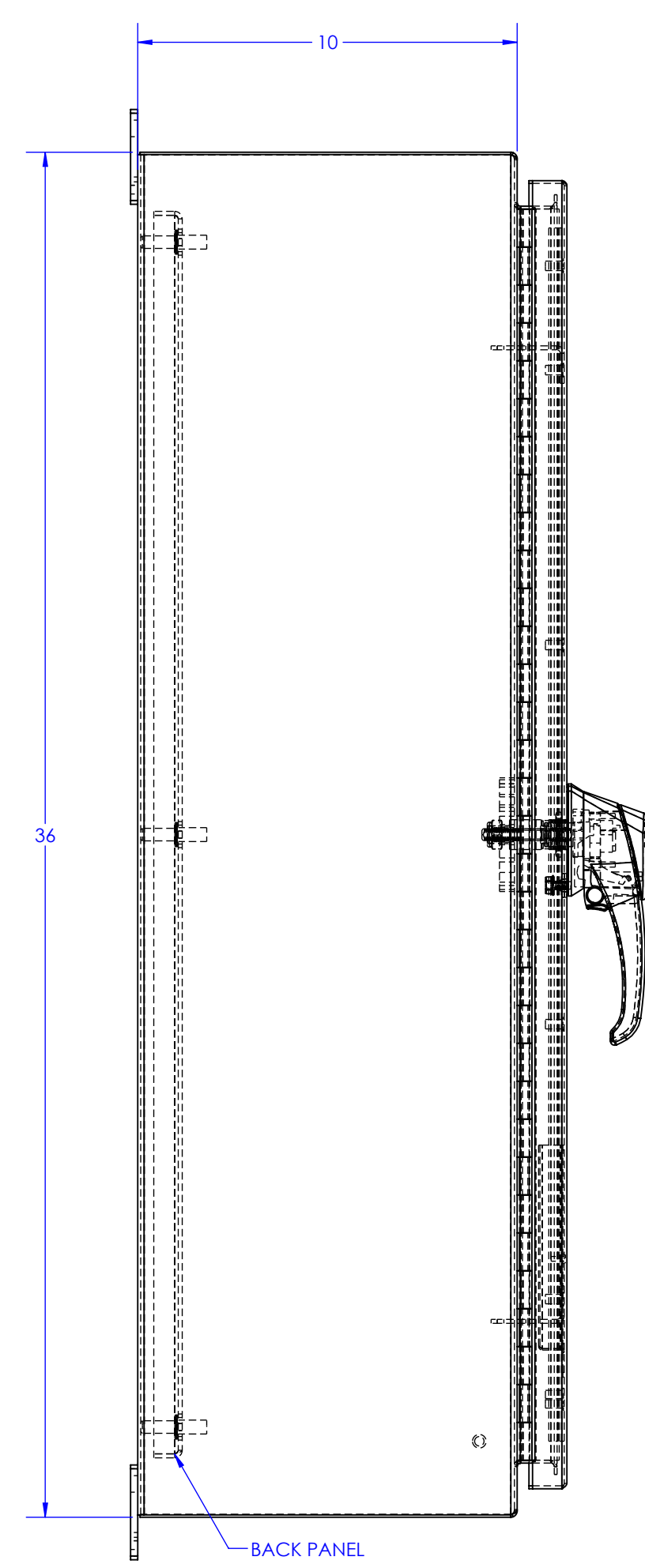
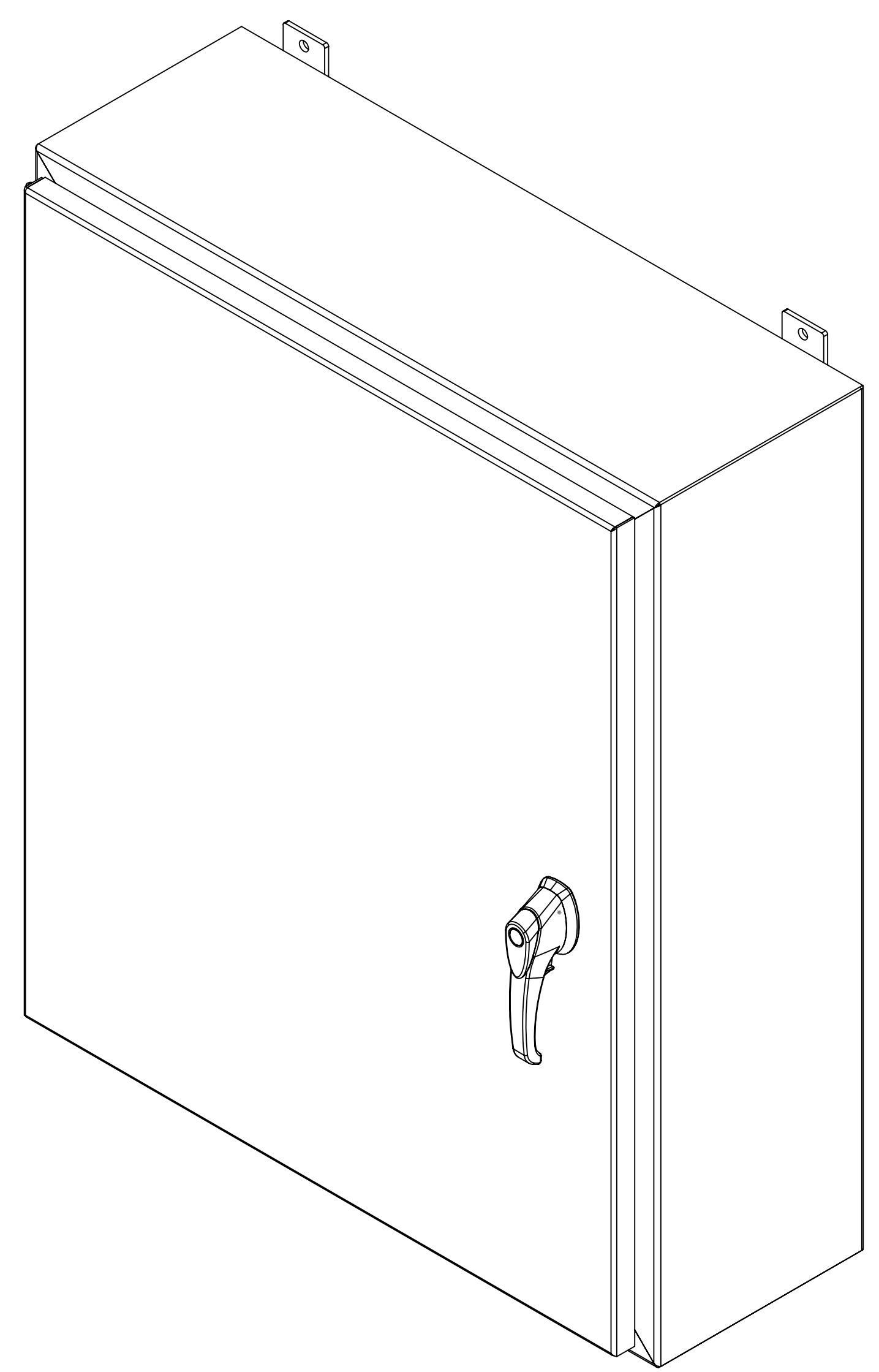
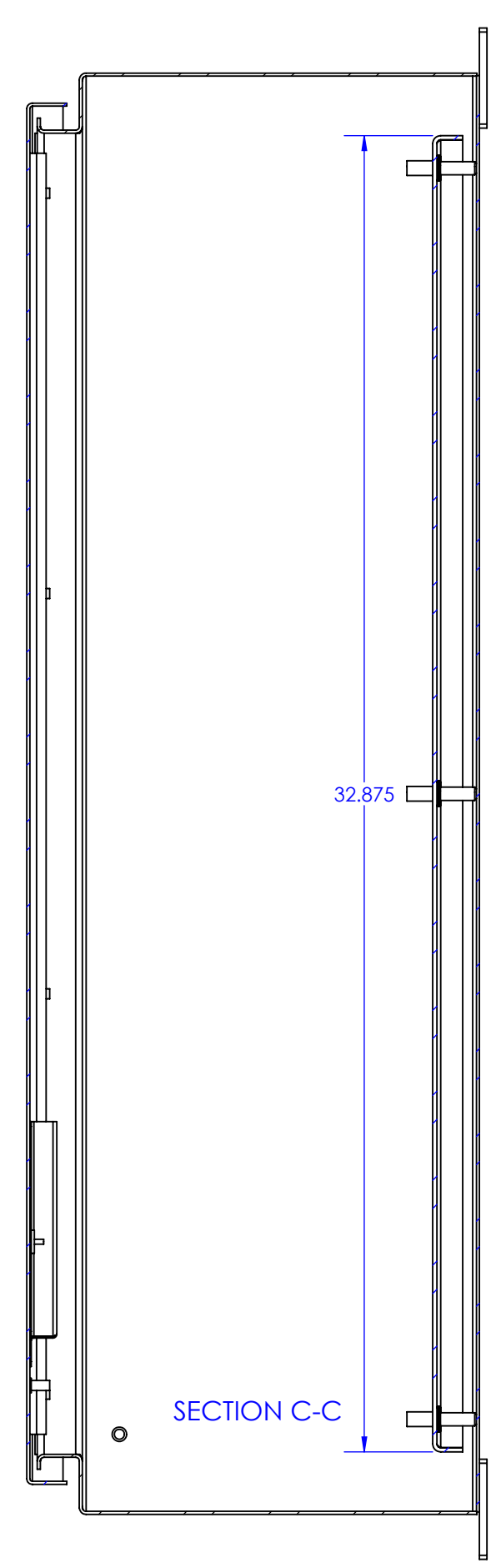
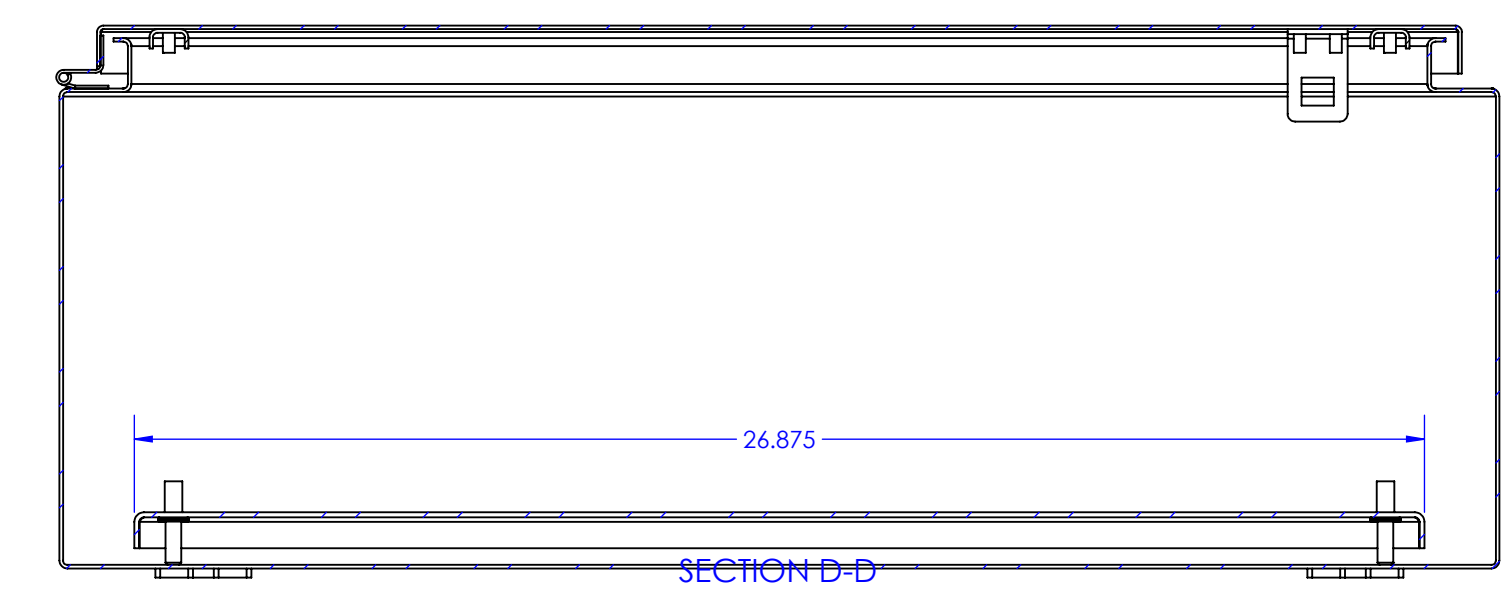
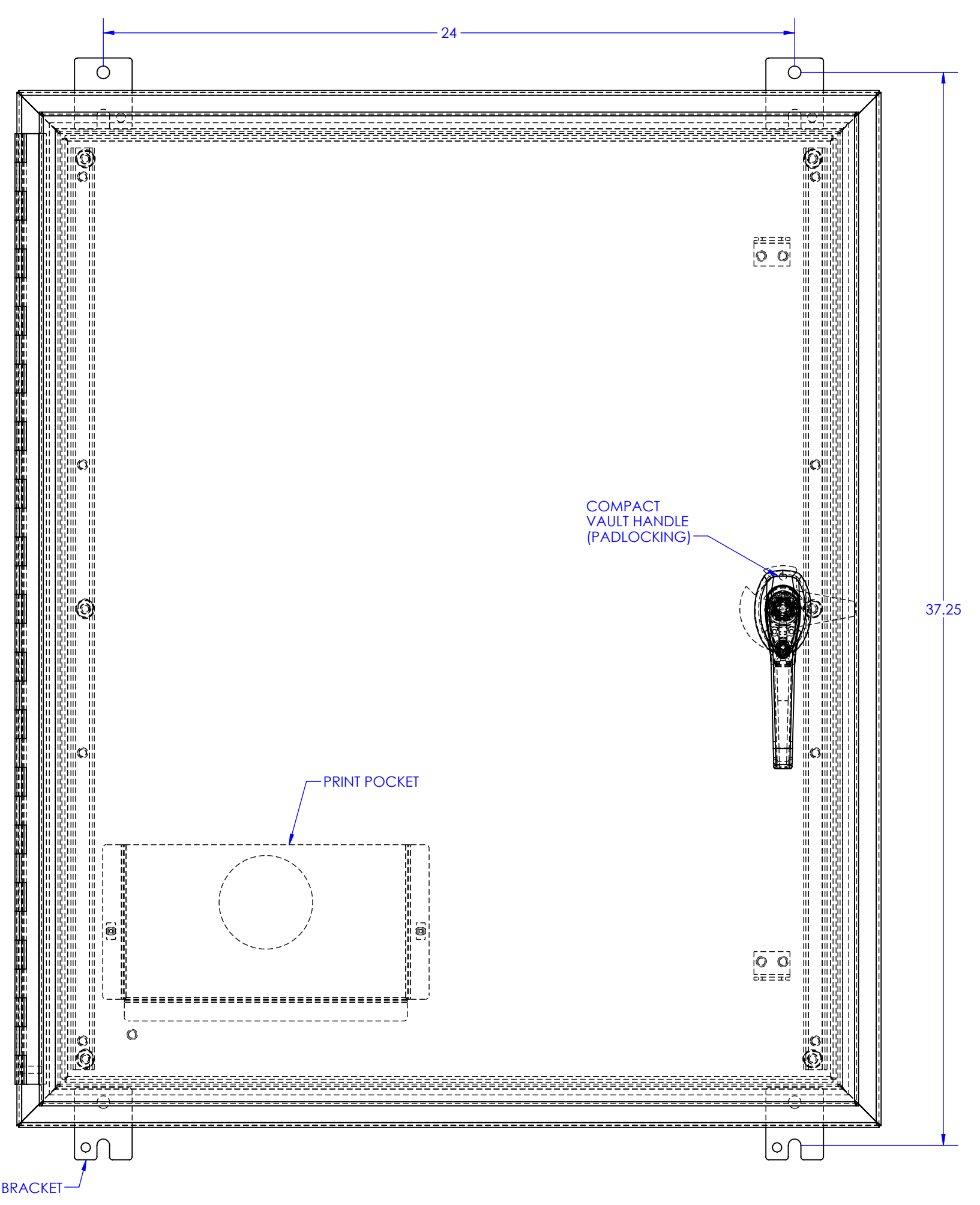
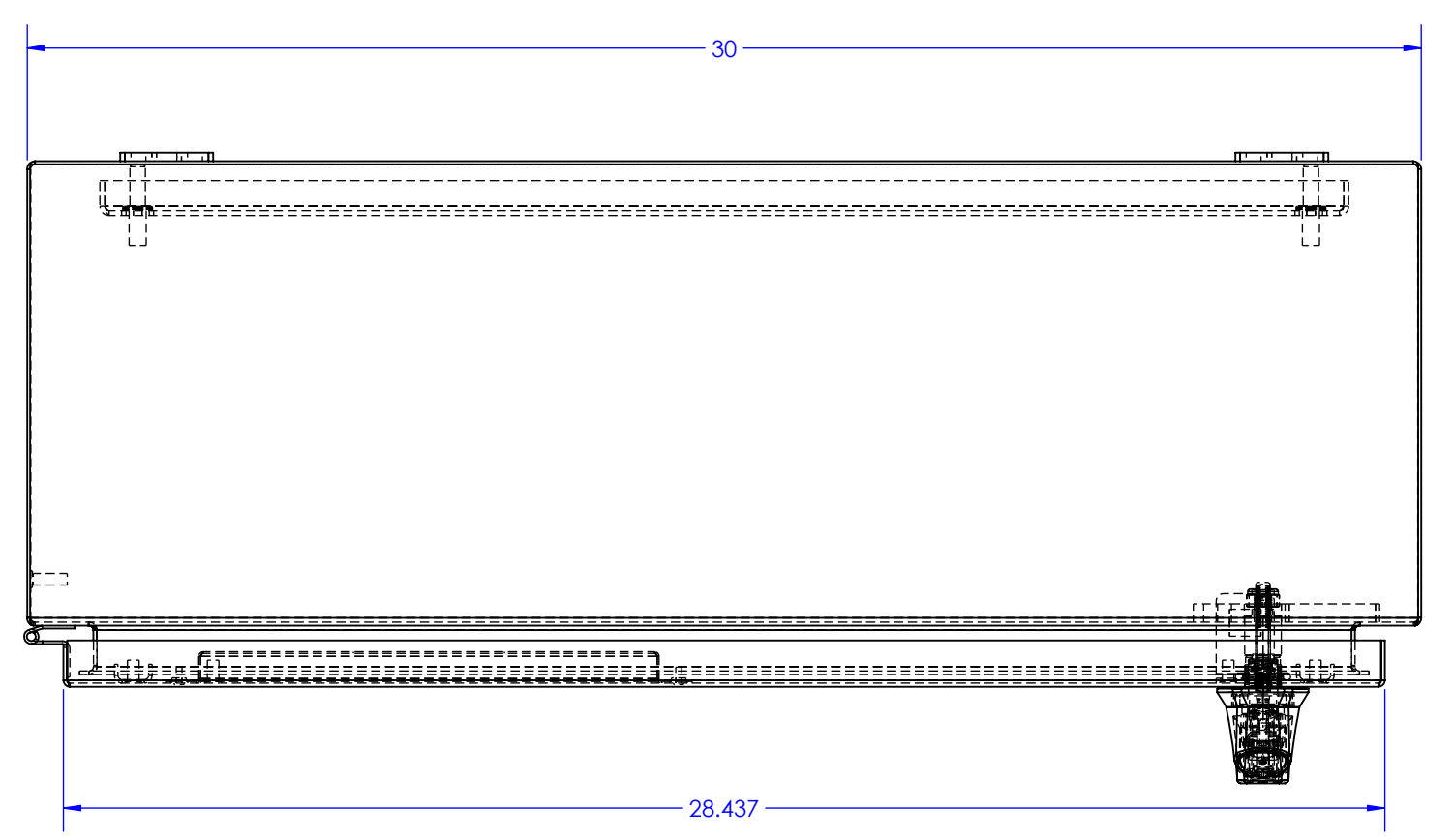


REVISIONS			
REV.	DESCRIPTION	DATE	APPROVED



PROPRIETARY AND CONFIDENTIAL
 THE INFORMATION CONTAINED IN THIS DRAWING IS THE SOLE PROPERTY OF RALSTON METAL PRODUCTS. ANY REPRODUCTION OR TRANSMISSION OF THIS DRAWING WITHOUT THE WRITTEN PERMISSION OF RALSTON METAL PRODUCTS IS PROHIBITED.

UNLESS OTHERWISE SPECIFIED
 DIMENSIONS ARE IN INCHES
 TOLERANCES:
 FINISHES:
 ANGULAR MATCHES: 1:1
 ONE PLACE DECIMAL: 25:1
 TWO PLACE DECIMAL: 100:1
 DIMENSIONS TO SURFACE UNLESS INDICATED OTHERWISE

SEE BOM
 FRUIT
 SEE BOM
 DO NOT SCALE DRAWING

NAME	DATE
DRAWN BY: WAYNE STINNETT	2023-12-20
ISSUED BY: WAYNE STINNETT	2023-12-20
JOB ORDER NO.:	

CUSTOMER: **RALSTON STOCK**
 PROPRIETARY NUMBER:

SEE: PART NAME: **D N43P-SS-363010** REV: -

PART NO. N43P-SS-363010
 SCALE: 1:4 WEIGHT: 116.228 SHEET 1 OF 1

Ralston
 Metal Products Limited
 15 WESTON ROAD, GUILDFORD, SURREY, GU1 1JY, UK
 PHONE: +44 (0)1483 800000
 FAX: +44 (0)1483 800001
 WWW.RALSTONMETAL.COM