

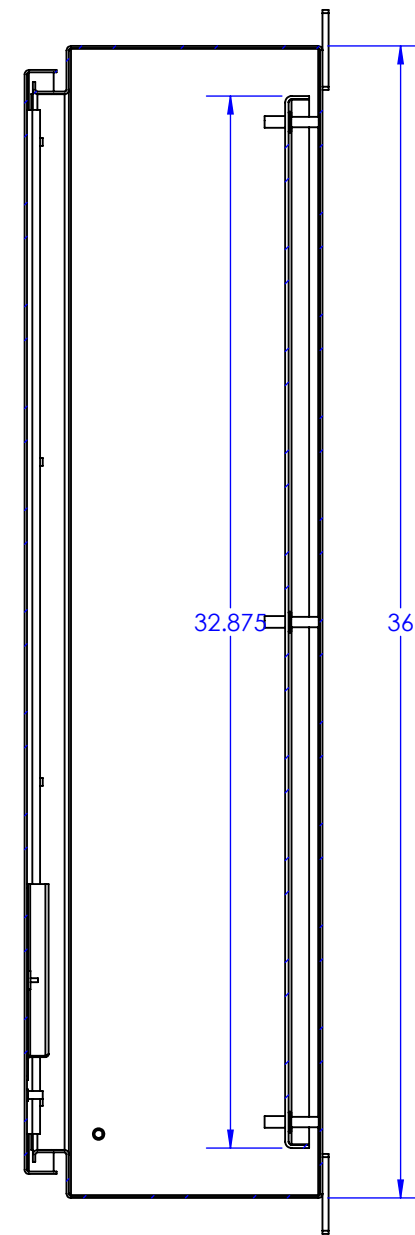
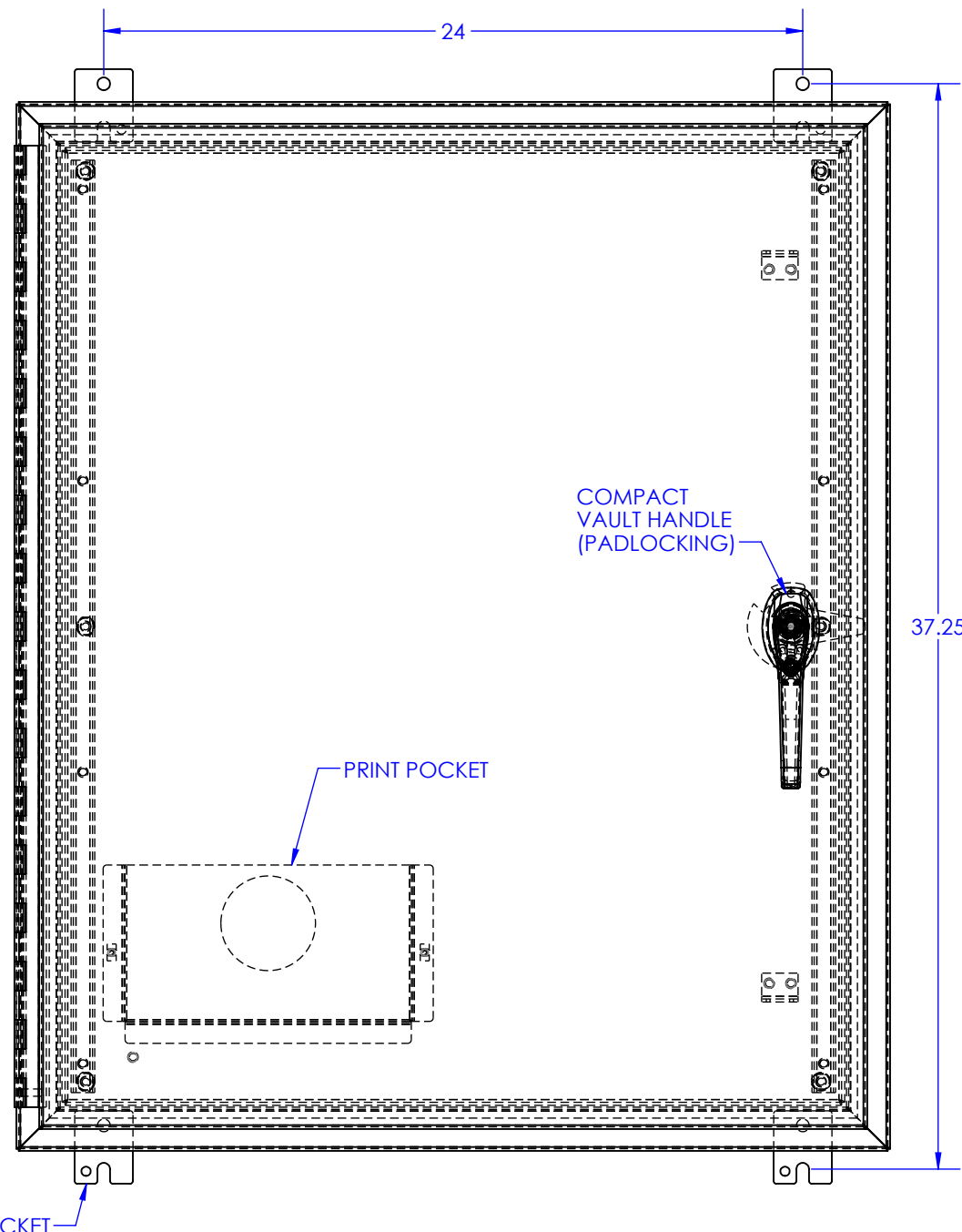
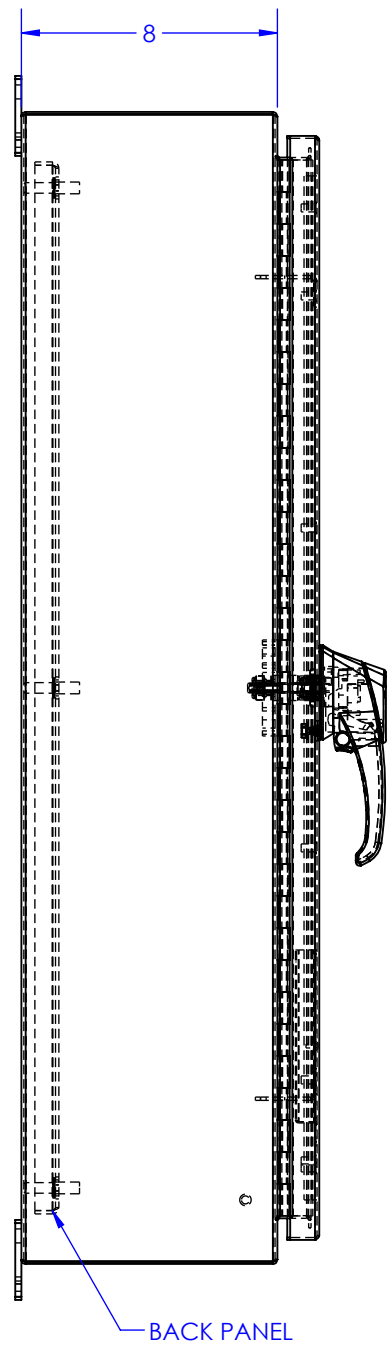
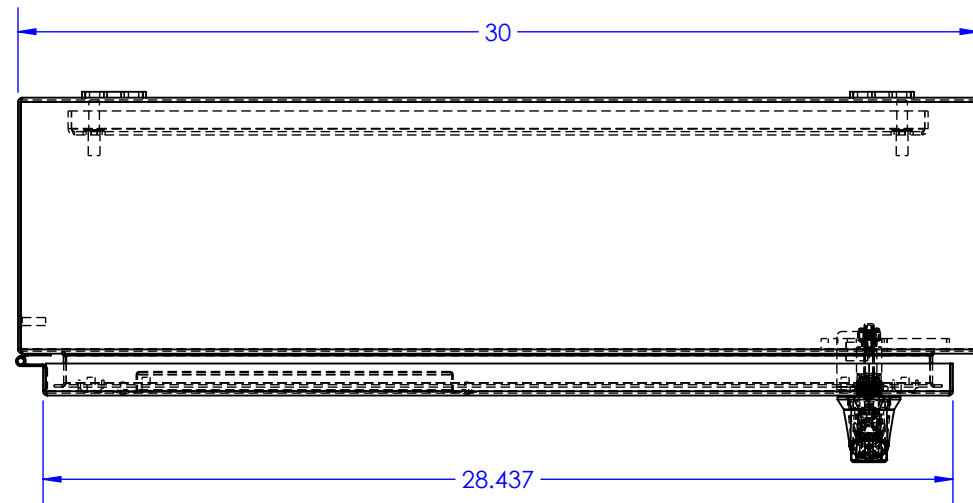
4

3

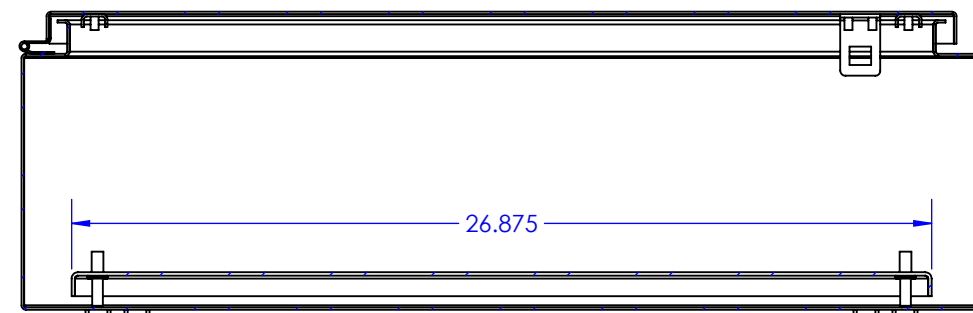
2

1

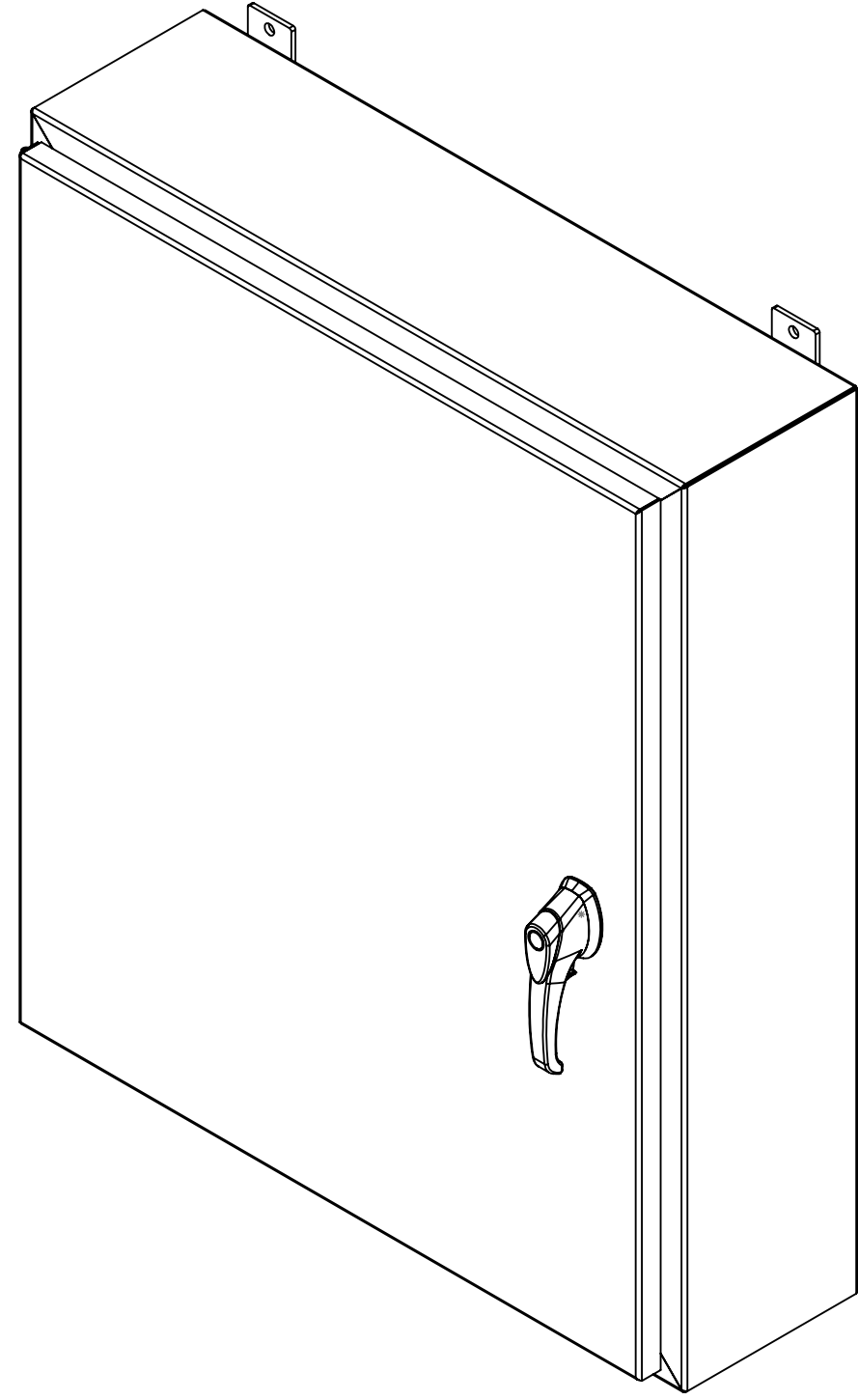
REVISIONS			
REV.	DESCRIPTION	DATE	APPROVED



SECTION C-C



SECTION D-D



<b>PROPRIETARY AND CONFIDENTIAL</b> THE INFORMATION CONTAINED IN THIS DRAWING IS THE SOLE PROPERTY OF RALSTON METAL PRODUCTS. ANY REPRODUCTION IN PART OR AS A WHOLE WITHOUT THE WRITTEN PERMISSION OF RALSTON METAL PRODUCTS IS PROHIBITED.	NAME	DATE	 50 WATSON ROAD QUELPS, ONTARIO N7L 1E2 PHONE: (519) 836-2968 TOLL FREE: 1-800-265-7611 FAX: (519) 836-9793 www.ralstonmetal.com	
	DRAWN BY	WAYNE SYNNOTT		2022-12-20
	ISSUED BY	WAYNE SYNNOTT		2022-12-20
	JOB ORDER NO:			
DIMENSIONS ARE IN INCHES TOLERANCES: FRACTIONAL ± 1/32" ANGULAR ± 0.001" ONE PLACE DECIMAL ± 0.1" TWO PLACE DECIMAL ± 0.01" THREE PLACE DECIMAL ± 0.005" MATERIAL:	CUSTOMER DRAWING NO:		CUSTOMER: <b>RALSTON STOCK</b> SHOP DRAWING NUMBER:	
SEE BOM	(AUTHORIZED SIGNATURE IN RED)	SIZE	PART NAME	REV.
FRISH:		<b>C</b>	<b>N43P-SS-363008</b>	-
SEE BOM		PART NO.	N43P-SS-363008	
DO NOT SCALE DRAWING	THIRD ANGLE PROJECTION	SCALE: 1:6	WEIGHT: 110.638	SHEET 1 OF 1

4

3

2

1

D

D

C

C

B

B

A

A