

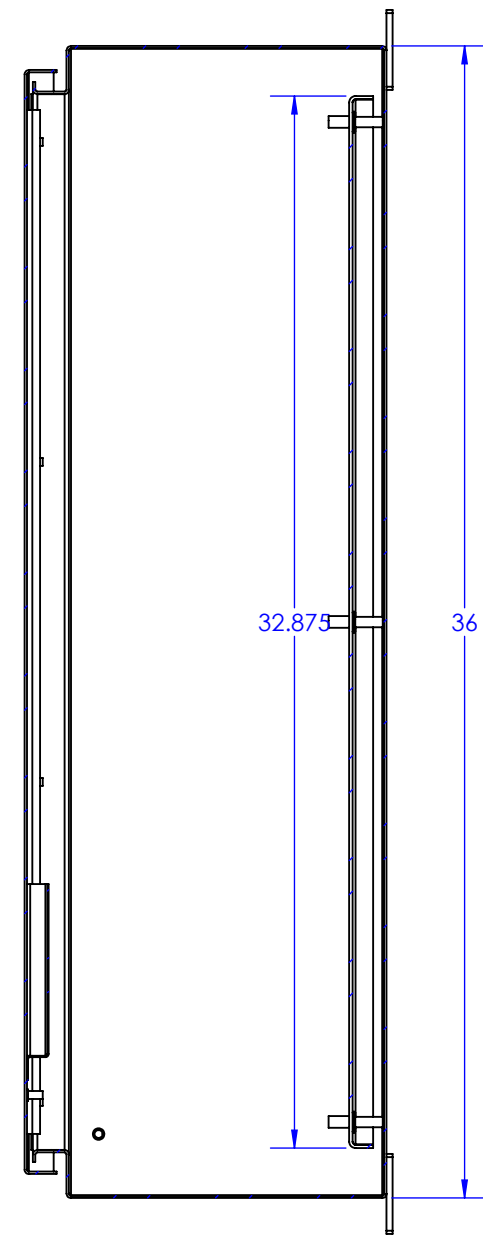
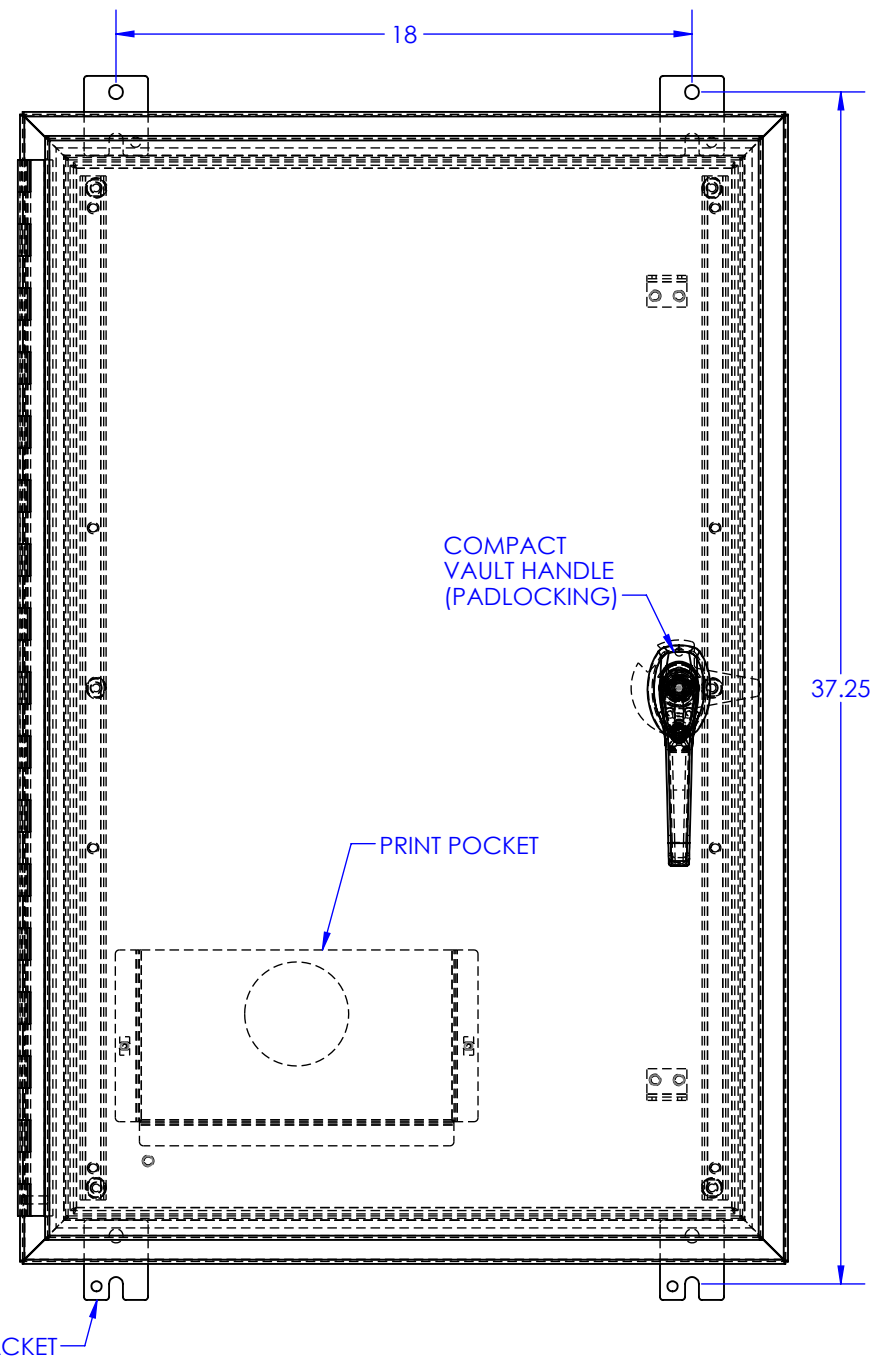
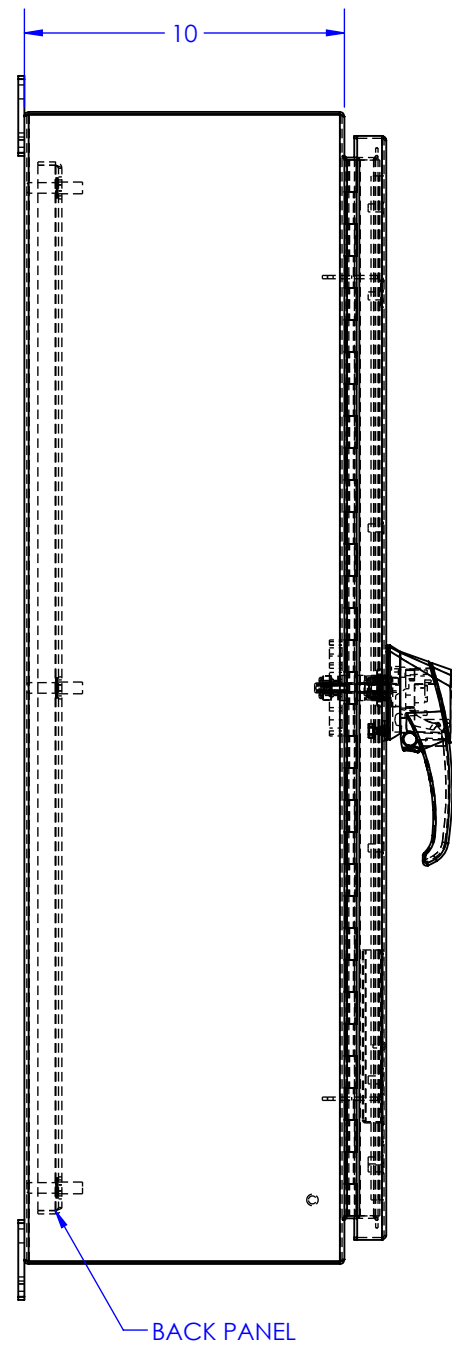
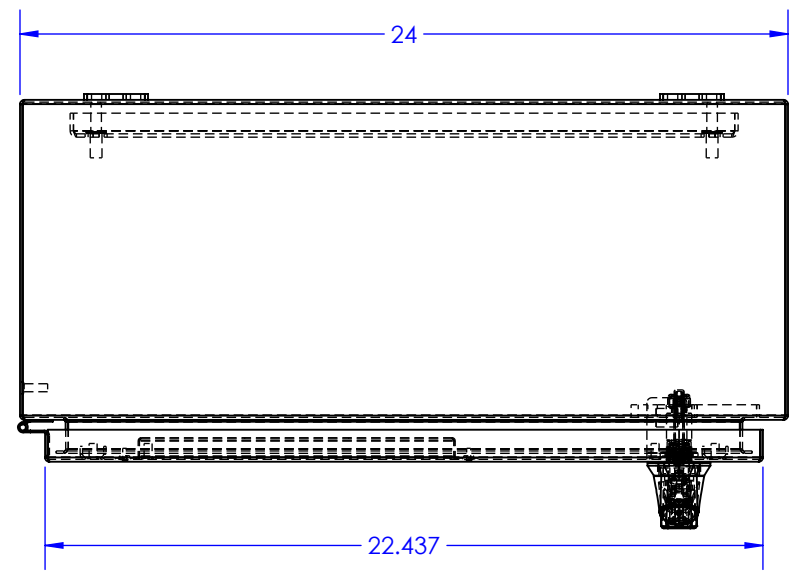
4

3

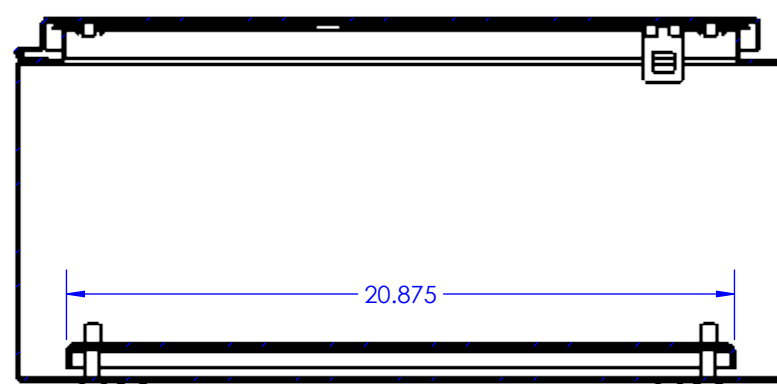
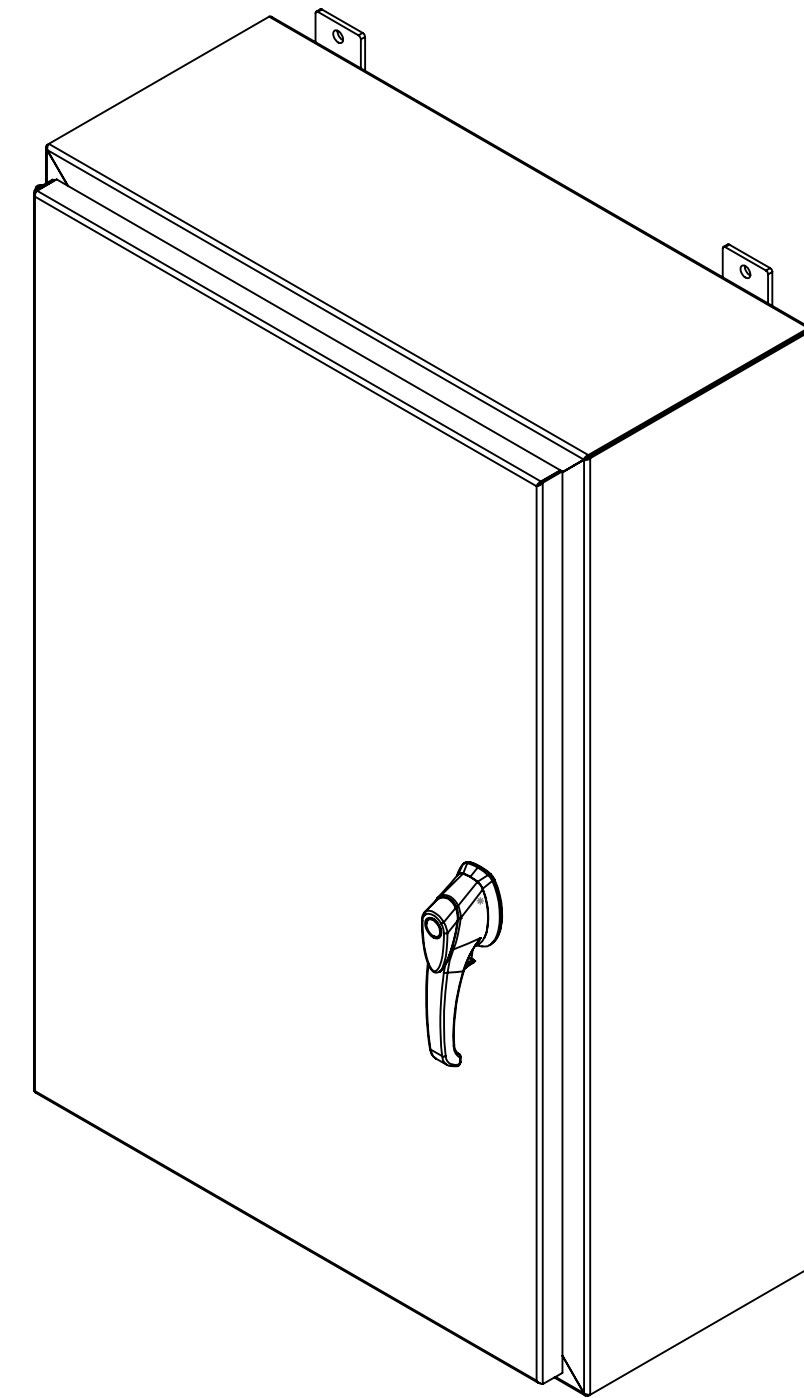
2

1

REVISIONS			
REV.	DESCRIPTION	DATE	APPROVED



SECTION C-C



SECTION D-D

**PROPRIETARY AND CONFIDENTIAL**  
THE INFORMATION CONTAINED IN THIS DRAWING IS THE SOLE PROPERTY OF RALSTON METAL PRODUCTS. ANY REPRODUCTION IN PART OR AS A WHOLE WITHOUT THE WRITTEN PERMISSION OF RALSTON METAL PRODUCTS IS PROHIBITED.

**UNLESS OTHERWISE SPECIFIED**  
DIMENSIONS ARE IN INCHES  
TOLERANCES:  
FRACTIONAL ± 1/32"  
ANGULAR MATCH 1"  
ONE PLACE DECIMAL ± 0.1"  
TWO PLACE DECIMAL ± 0.01"  
THREE PLACE DECIMAL ± 0.002"  
MATERIAL:

FRISH: SEE BOM  
DO NOT SCALE DRAWING

NAME: WAYNE SYMNOIT  
DATE: 2022-12-20  
ISSUED BY: WAYNE SYMNOIT  
JOB ORDER NO:

CUSTOMER DRAWING NO:  
THIRD ANGLE PROJECTION

80 WATSON ROAD  
QUELPS, ONTARIO N7L 1E2  
PHONE: (519) 836-2969  
TOLL FREE: 1-800-265-7611  
FAX: (519) 836-9793

**Ralston**  
Metal Products Limited

CUSTOMER:  
RALSTON STOCK  
SHOP DRAWING NUMBER:

SIZE: C  
PART NAME: N43P-SS-362410  
REV: -

PART NO.: N43P-SS-362410  
SCALE: 1:6  
WEIGHT: 97.653  
SHEET 1 OF 1

4

3

2

1