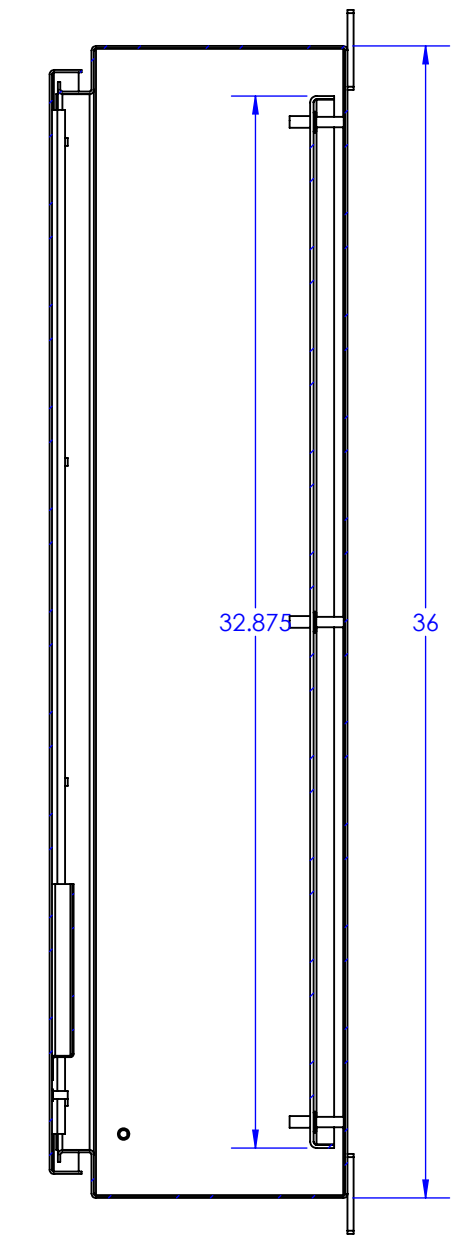
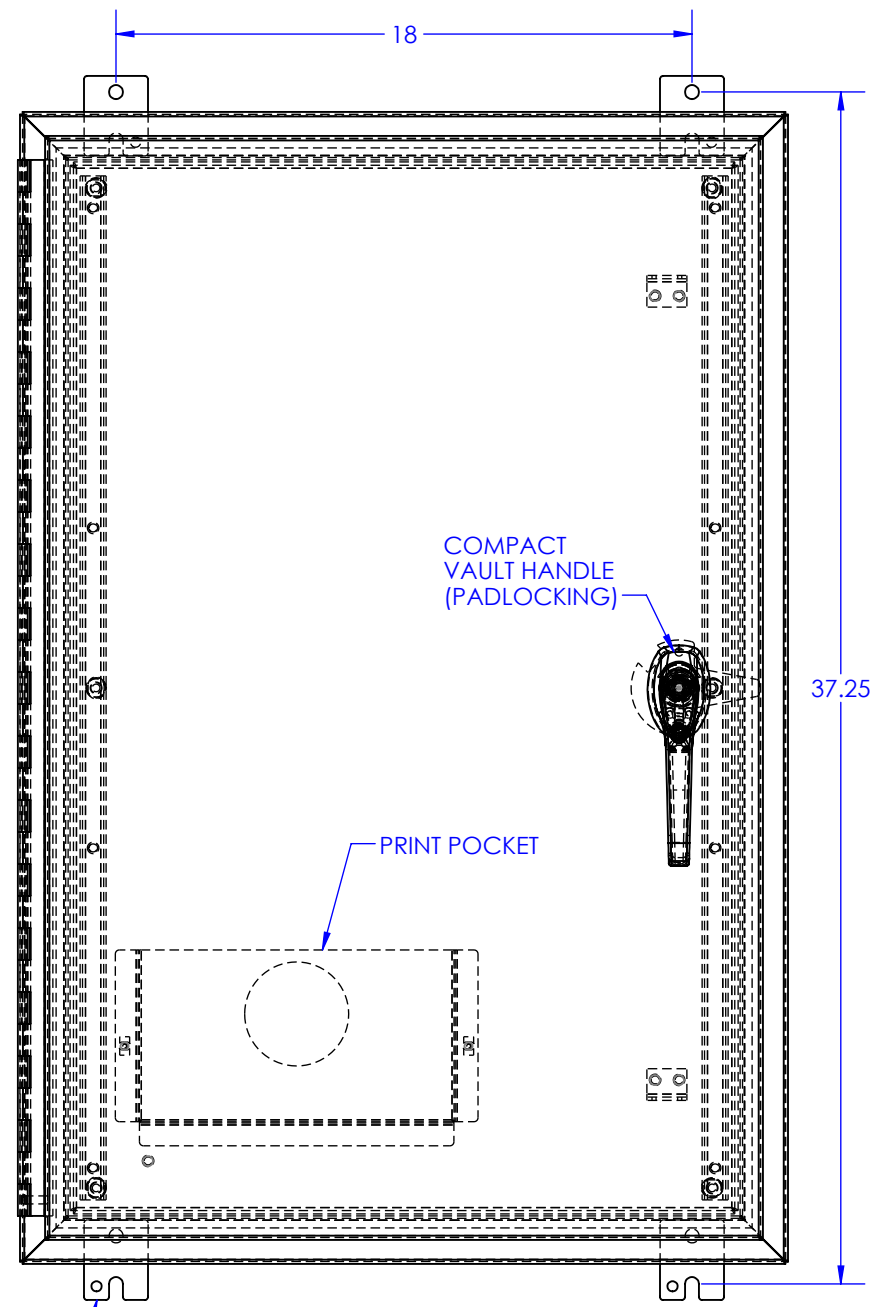
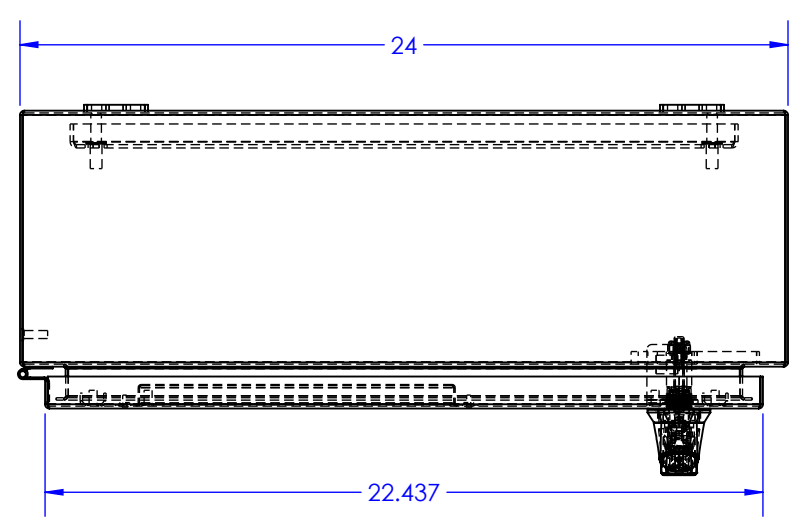
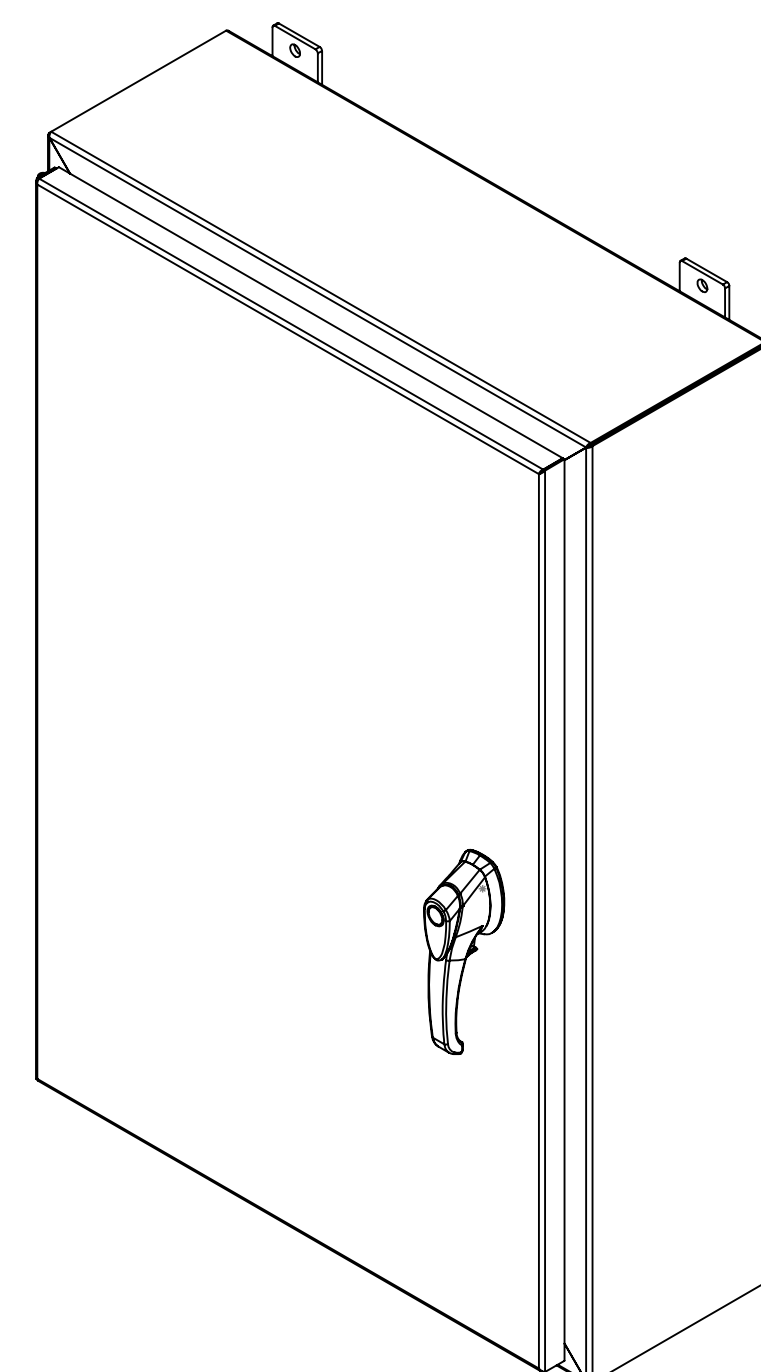
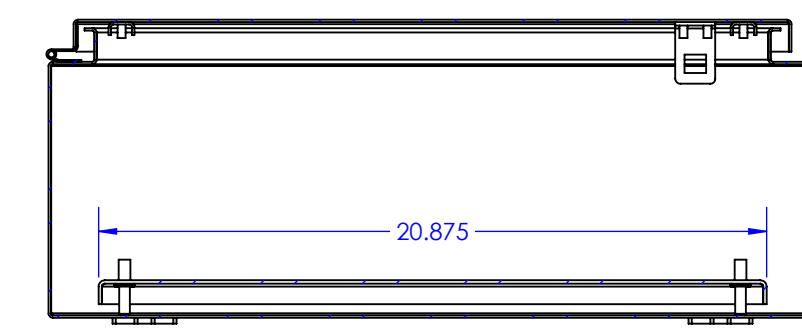
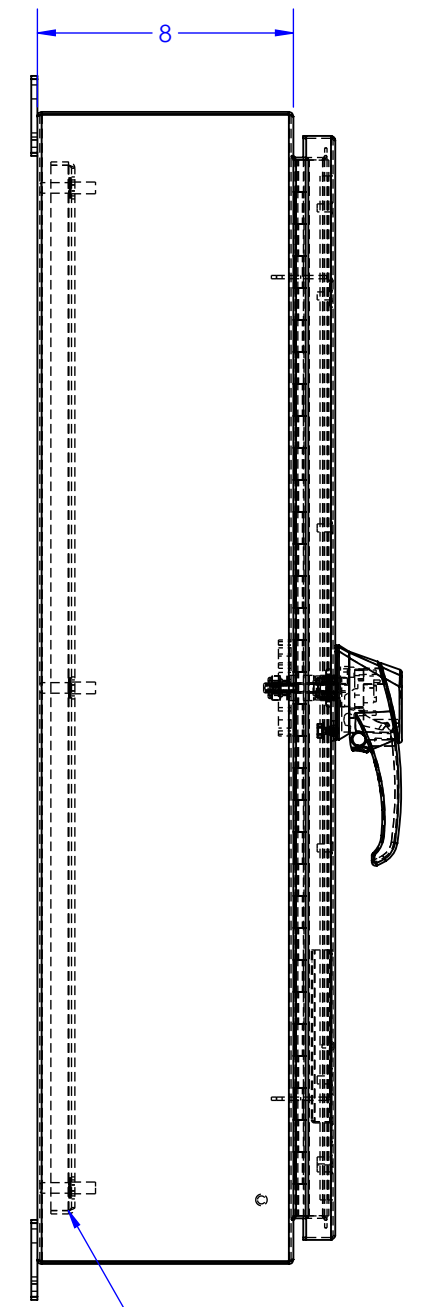


REVISIONS			
REV.	DESCRIPTION	DATE	APPROVED



SECTION C-C



SECTION D-D

<b>PROPRIETARY AND CONFIDENTIAL</b>		NAME	DATE	<p>50 WATSON ROAD QUELPS, ONTARIO N1L 1E2 PHONE: (519) 836-2968 TOLL FREE: 1-800-265-7611 FAX: (519) 836-9793</p>		
THE INFORMATION CONTAINED IN THIS DRAWING IS THE SOLE PROPERTY OF RALSTON METAL PRODUCTS. ANY REPRODUCTION IN PART OR AS A WHOLE WITHOUT THE WRITTEN PERMISSION OF RALSTON METAL PRODUCTS IS PROHIBITED.		DRAWN BY	WAYNE SYMNOIT		2022-12-20	
UNLESS OTHERWISE SPECIFIED		ISSUED BY	WAYNE SYMNOIT		2022-12-20	
DIMENSIONS ARE IN INCHES		JOB ORDER NO:				
TOLERANCES:		CUSTOMER DRAWING NO:		CUSTOMER:		
FRACTIONAL ± 1/32"				RALSTON STOCK		
ANGULAR MATCH 1"				SHOP DRAWING NUMBER:		
ONE PLACE DECIMAL ± 0.1"				SIZE	PART NAME	REV.
TWO PLACE DECIMAL ± 0.01"				<b>C</b>	N43P-SS-362408	-
THREE PLACE DECIMAL ± 0.005"				PART NO.	N43P-SS-362408	
MATERIAL:				SCALE: 1:6	WEIGHT: 92.479	SHEET 1 OF 1
SEE BOM	(AUTHORIZED SIGNATURE IN RED)					
FINISH:		THIRD ANGLE PROJECTION				
SEE BOM						
DO NOT SCALE DRAWING						