

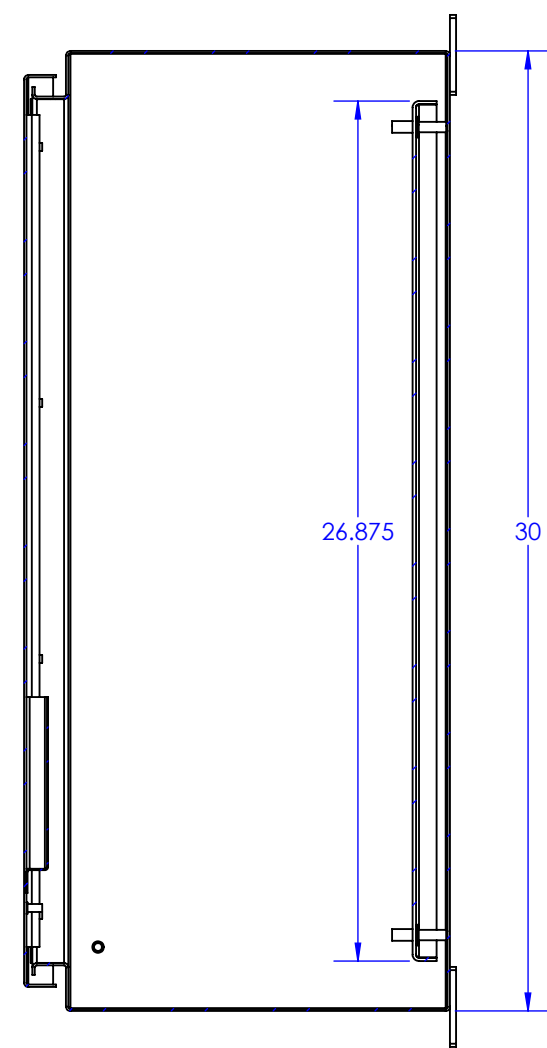
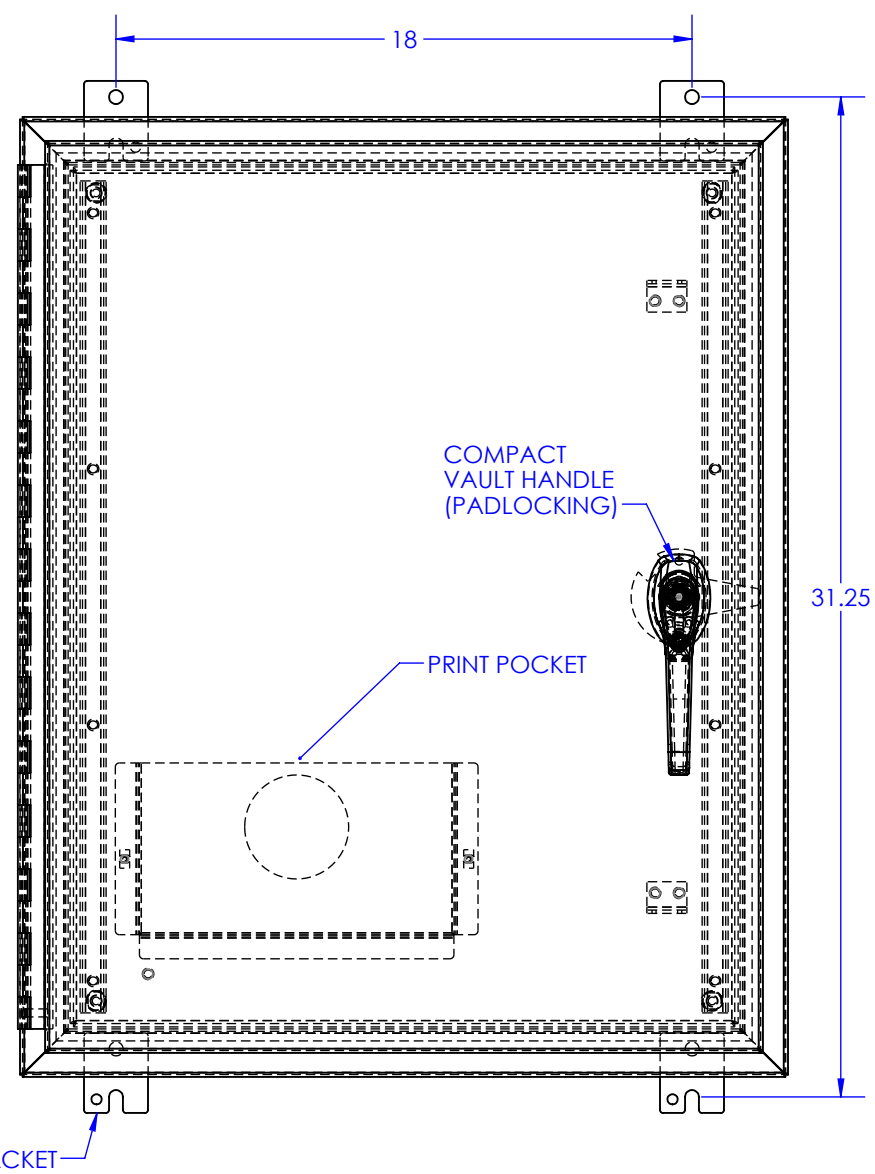
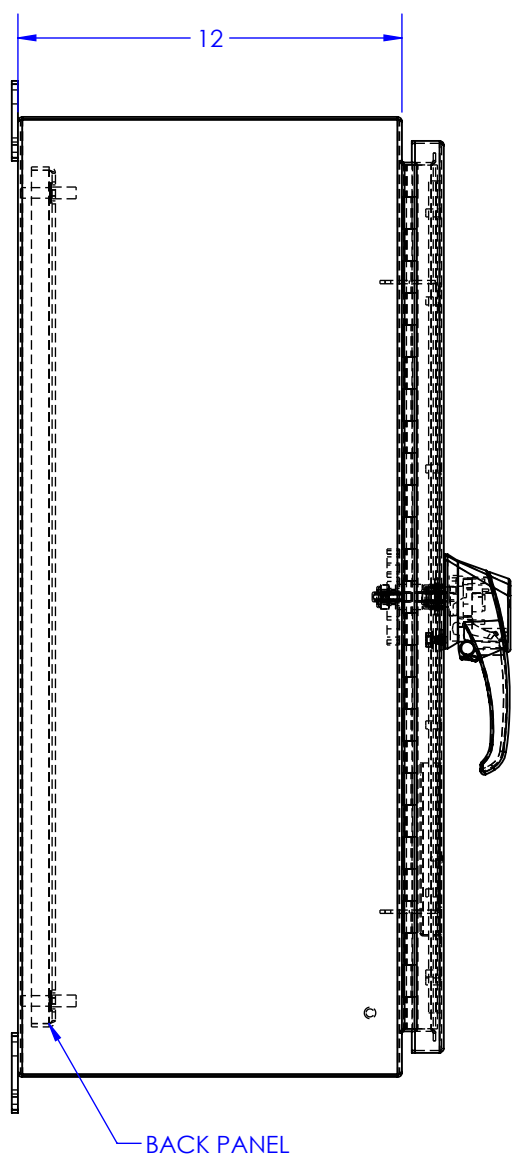
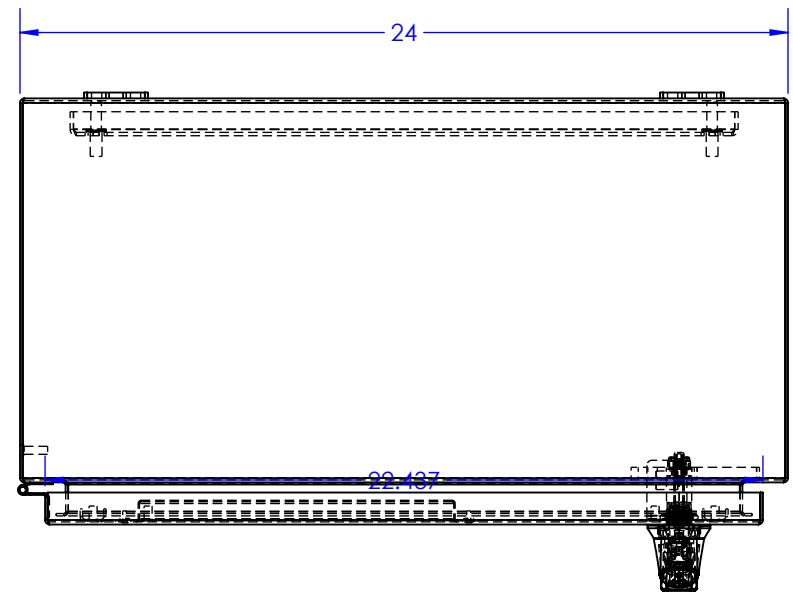
4

3

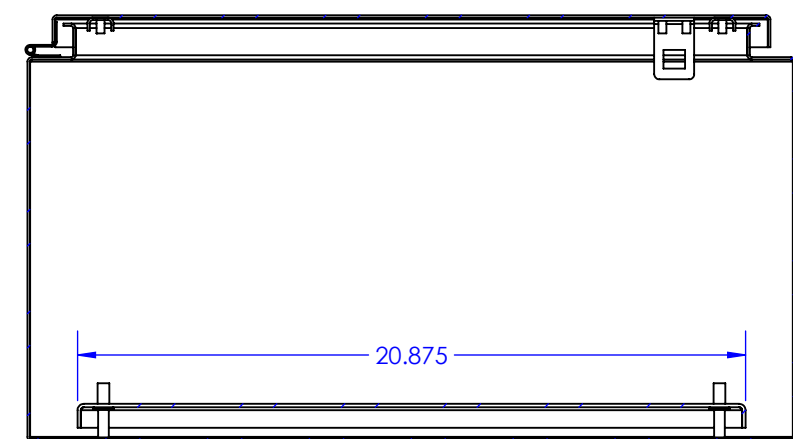
2

1

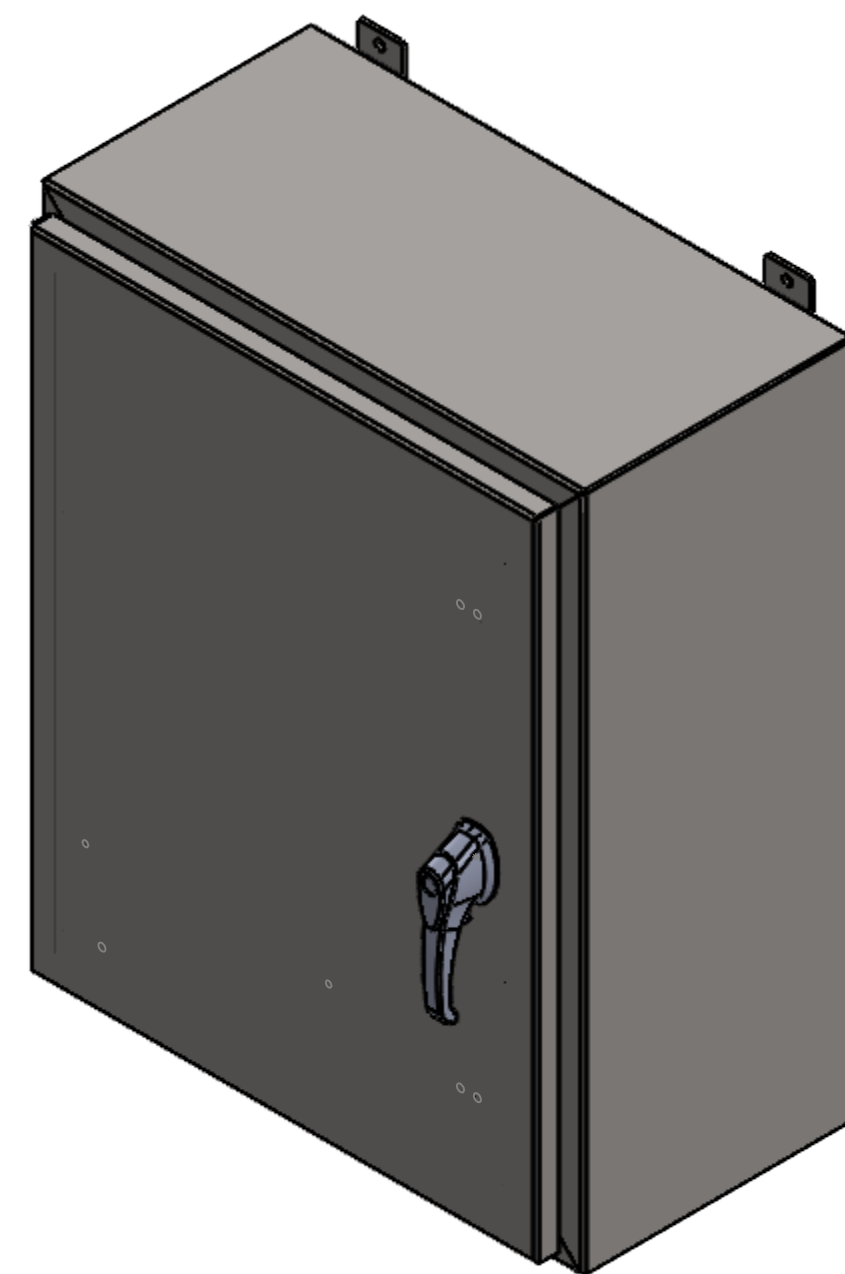
REVISIONS			
REV.	DESCRIPTION	DATE	APPROVED



SECTION C-C



SECTION D-D



PROPRIETARY AND CONFIDENTIAL THE INFORMATION CONTAINED IN THIS DRAWING IS THE SOLE PROPERTY OF RALSTON METAL PRODUCTS. ANY REPRODUCTION IN PART OR AS A WHOLE WITHOUT THE WRITTEN PERMISSION OF RALSTON METAL PRODUCTS IS PROHIBITED.		NAME	DATE		50 WATSON ROAD QUELUP, ONTARIO N7L 1E2 PHONE: (519) 836-2969 TOLL FREE: 1-800-265-7611 FAX: (519) 836-9793
DRAWN BY: WAYNE SYMNOIT 2022-12-20 ISSUED BY: WAYNE SYMNOIT 2022-12-20 JOB ORDER NO:		CUSTOMER DRAWING NO:	RALSTON STOCK		
DIMENSIONS ARE IN INCHES TOLERANCES: FRACTIONAL ± 1/32" ANGULAR ± 0.001" ONE PLACE DECIMAL ± 0.1" TWO PLACE DECIMAL ± 0.01" THREE PLACE DECIMAL ± 0.002" MATERIAL:		UNLESS OTHERWISE SPECIFIED		SIZE	PART NAME
SEE BOM		FRISK		C	N43P-SS-302412
SEE BOM		DO NOT SCALE DRAWING		PART NO.	N43P-SS-302412
THIRD ANGLE PROJECTION		SCALE: 1:6		WEIGHT: 88.159	SHEET 1 OF 1

4

3

2

1

D

D

C

C

B

B

A

A