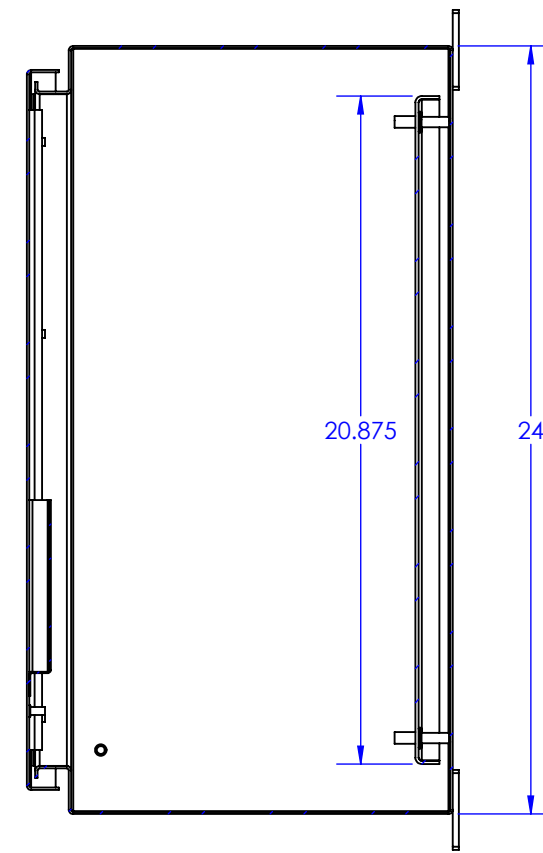
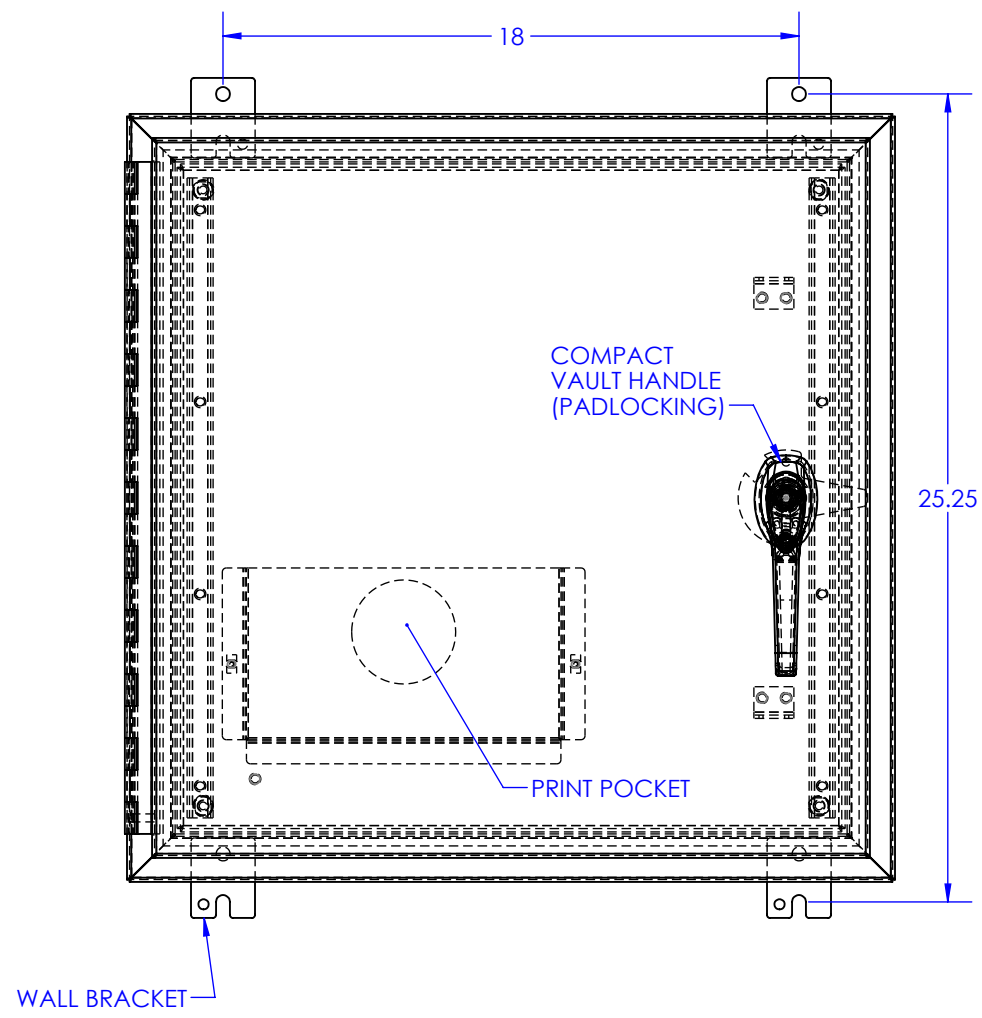
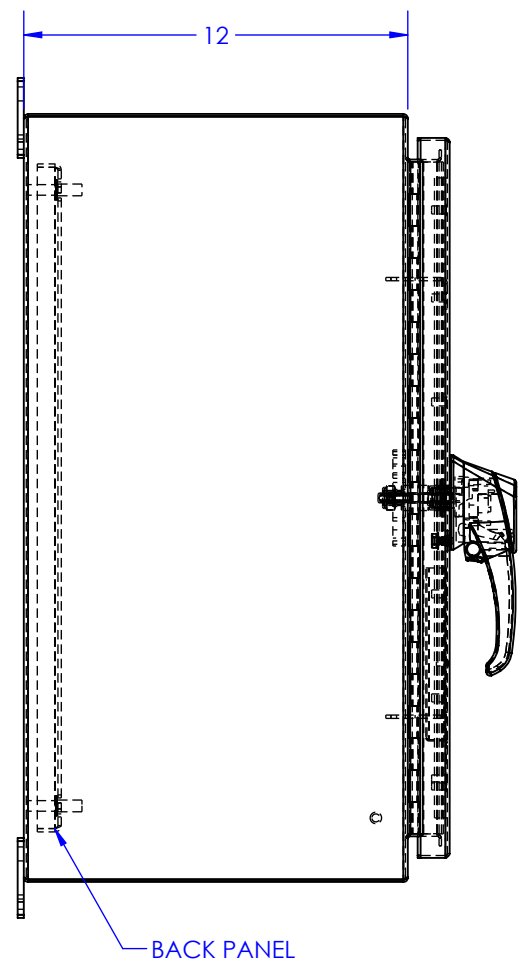
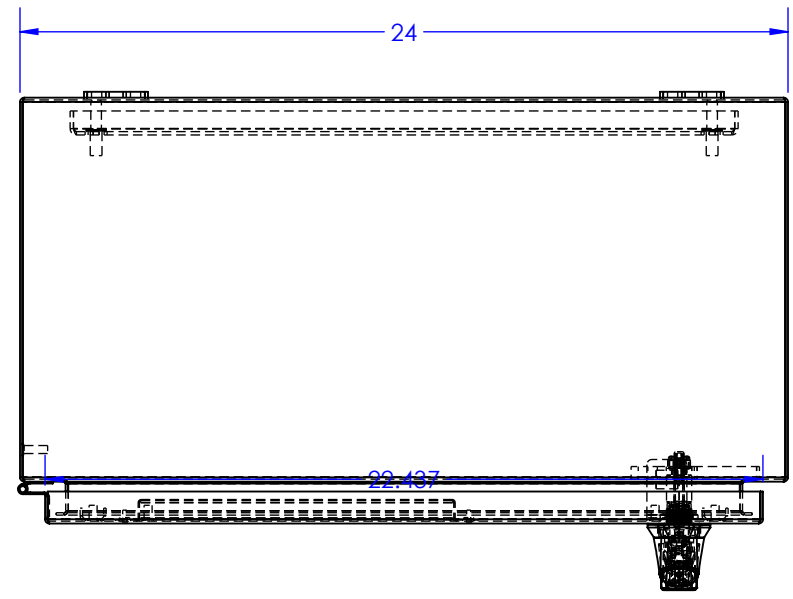
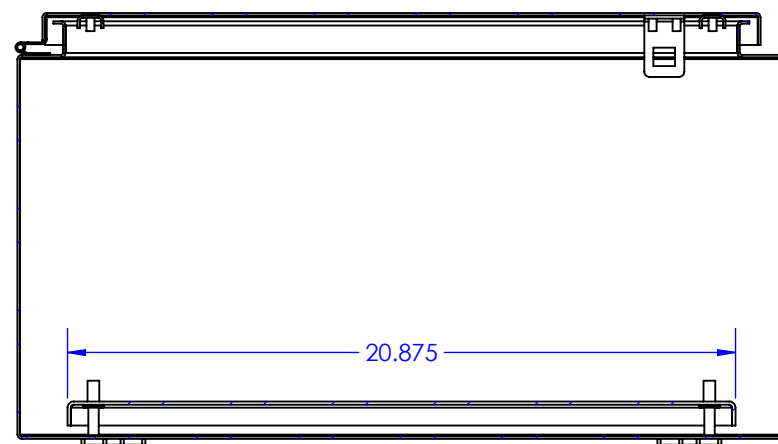
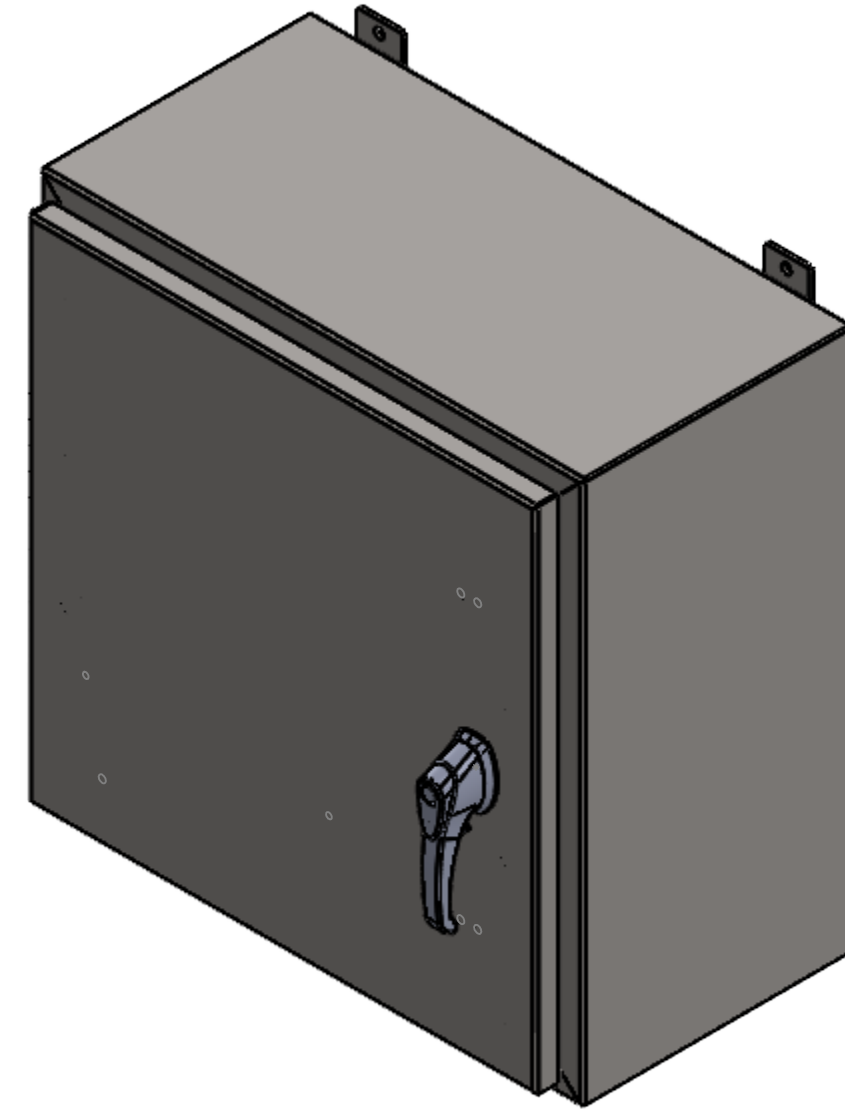


REVISIONS			
REV.	DESCRIPTION	DATE	APPROVED



SECTION C-C



SECTION D-D

PROPRIETARY AND CONFIDENTIAL THE INFORMATION CONTAINED IN THIS DRAWING IS THE SOLE PROPERTY OF RALSTON METAL PRODUCTS. ANY REPRODUCTION IN PART OR AS A WHOLE WITHOUT THE WRITTEN PERMISSION OF RALSTON METAL PRODUCTS IS PROHIBITED.		NAME	DATE	 <small>50 WATSON ROAD QUELUP, ONTARIO N7L 1E2 PHONE: (519) 836-2969 TOLL FREE: 1-800-265-7611 FAX: (519) 836-9793</small>	
UNLESS OTHERWISE SPECIFIED DIMENSIONS ARE IN INCHES TOLERANCES: FRACTIONAL ±1/32" ANGULAR MATCH 1" BEND ±1/32" ONE PLACE DECIMAL ±0.1" TWO PLACE DECIMAL ±0.01" THREE PLACE DECIMAL ±0.005" MATERIAL:		DRAWN BY	WAYNE SYNNOIT		2022-12-20
SEE BOM		ISSUED BY	WAYNE SYNNOIT		2022-12-20
FRISH: SEE BOM		JOB ORDER NO:		CUSTOMER:	
DO NOT SCALE DRAWING		CUSTOMER DRAWING NO:		RALSTON STOCK	
THIRD ANGLE PROJECTION		SCALE: 1:6		SHOP DRAWING NUMBER:	
		PART NAME:		SIZE	
		C N43P-SS-242412		REV.	
		PART NO. N43P-SS-242412		-	
		WEIGHT: 73.580		SHEET 1 OF 1	