

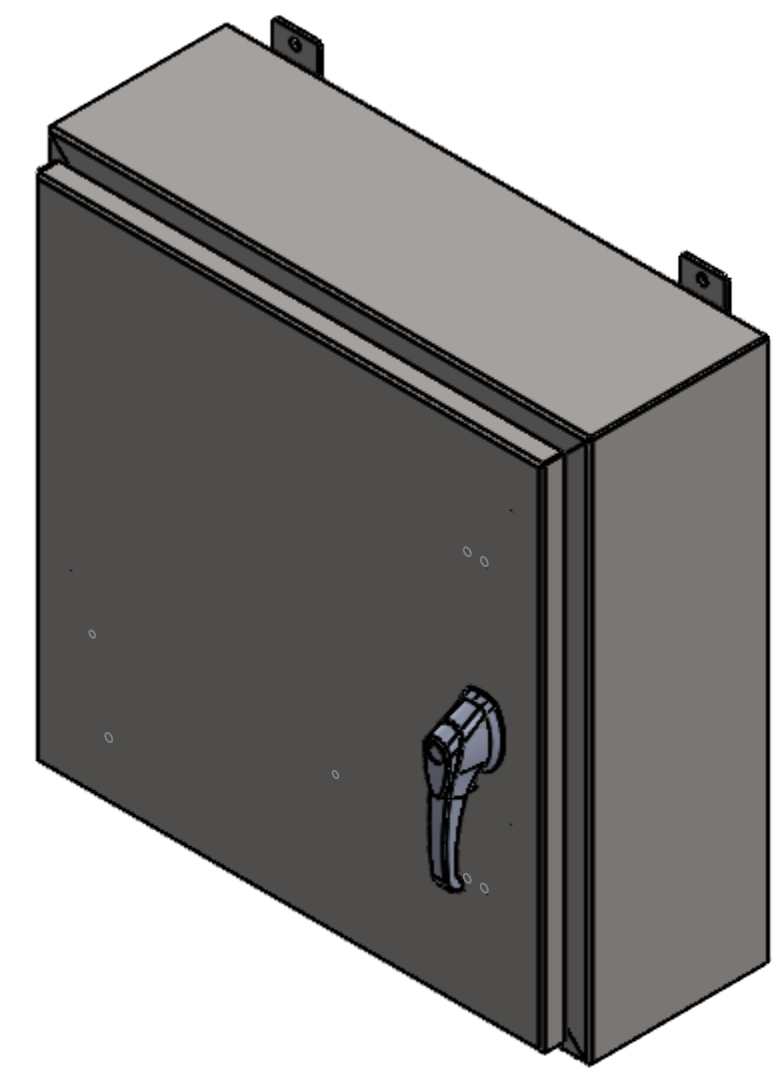
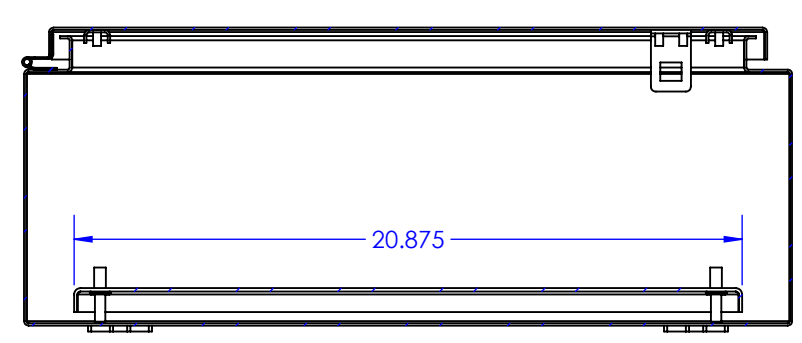
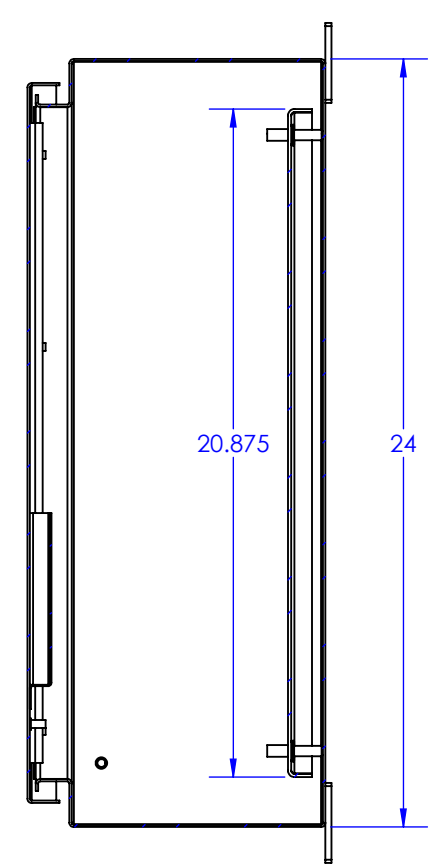
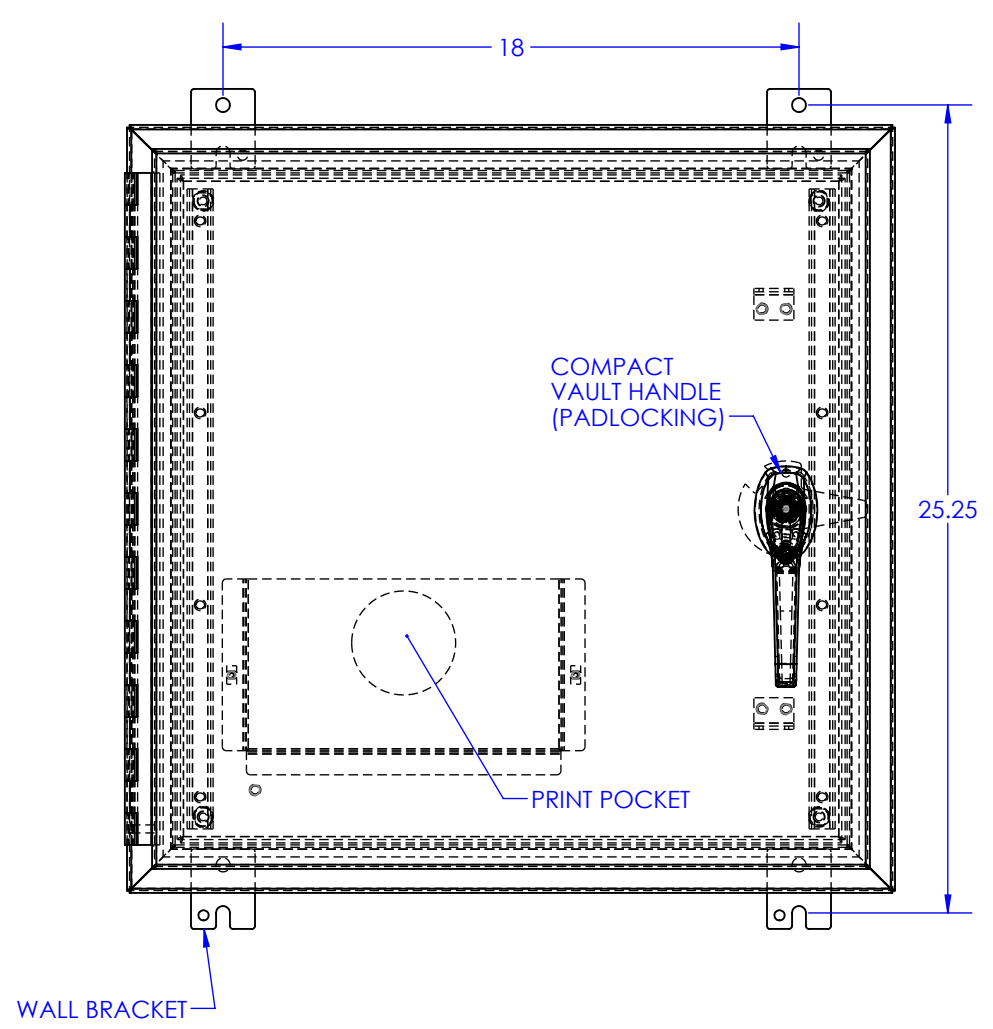
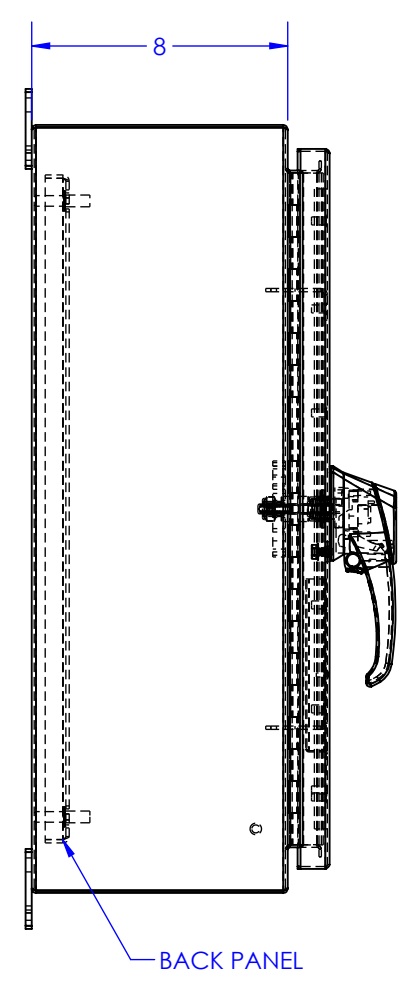
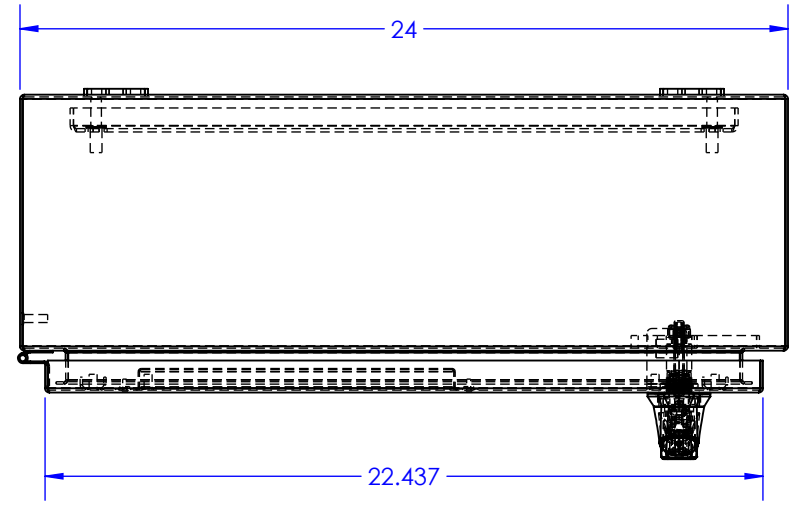
4

3

2

1

REVISIONS			
REV.	DESCRIPTION	DATE	APPROVED



SECTION C-C

SECTION D-D

BACK PANEL

WALL BRACKET

COMPACT VAULT HANDLE (PADLOCKING)

PRINT POCKET

PROPRIETARY AND CONFIDENTIAL THE INFORMATION CONTAINED IN THIS DRAWING IS THE SOLE PROPERTY OF RALSTON METAL PRODUCTS. ANY REPRODUCTION IN PART OR AS A WHOLE WITHOUT THE WRITTEN PERMISSION OF RALSTON METAL PRODUCTS IS PROHIBITED.		NAME	DATE	<p>50 WATSON ROAD QUELPS, ONTARIO N7L 1E2 PHONE: (519) 836-2969 TOLL FREE: 1-800-265-7611 FAX: (519) 836-9793</p>
UNLESS OTHERWISE SPECIFIED DIMENSIONS ARE IN INCHES TOLERANCES: FRACTIONAL ± 1/32" ANGULAR ± 0.1° ONE PLACE DECIMAL ± 0.1" TWO PLACE DECIMAL ± 0.01" THREE PLACE DECIMAL ± 0.005"		DRAWN BY	DATE	
SEE BOM		ISSUED BY	DATE	
FINISH: SEE BOM		JOB ORDER NO:		CUSTOMER:
DO NOT SCALE DRAWING		THIRD ANGLE PROJECTION		RALSTON STOCK SHOP DRAWING NUMBER:
				SIZE PART NAME: REV.
				C N43P-SS-242408 -
		PART NO. N43P-SS-242408		SCALE: 1:6 WEIGHT: 65.314 SHEET 1 OF 1

4

3

2

1