

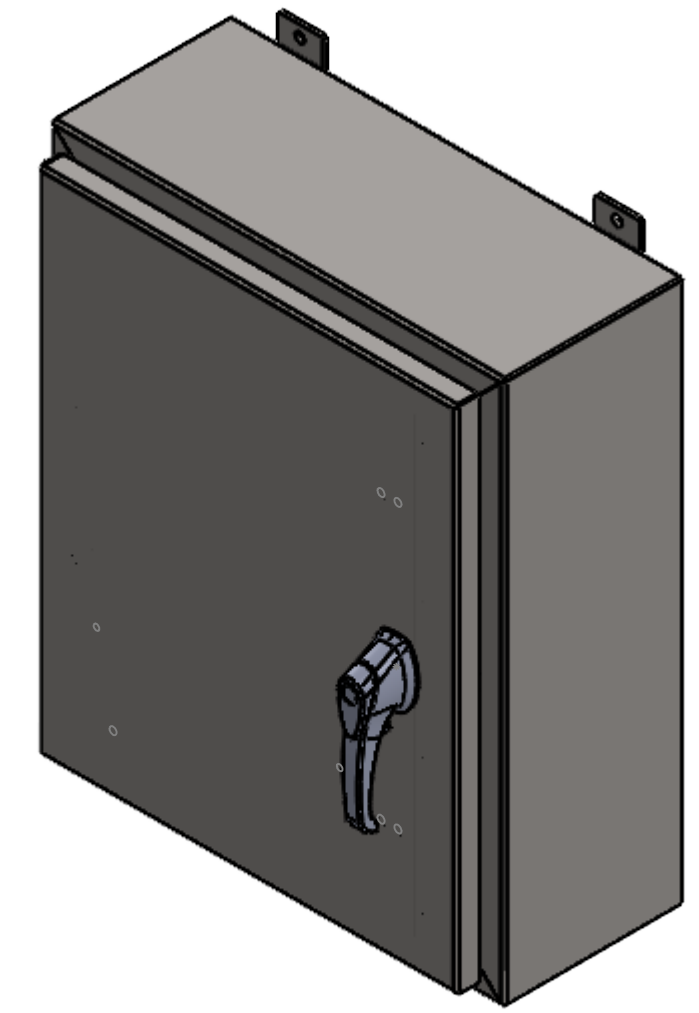
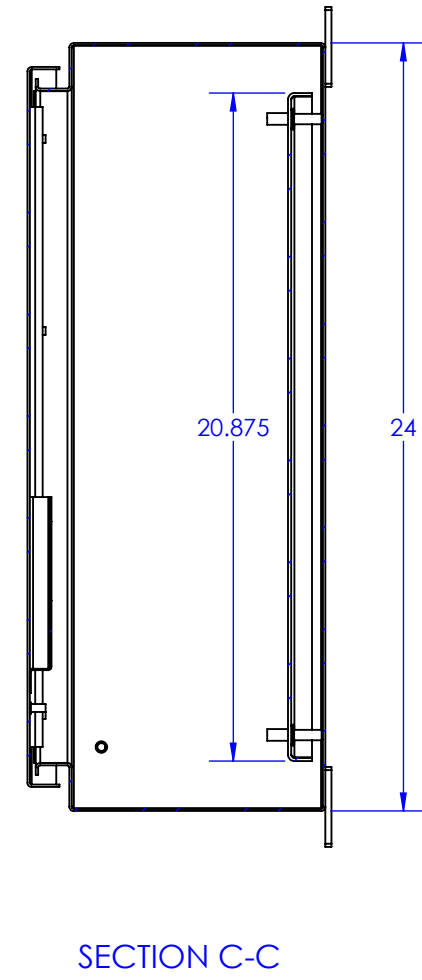
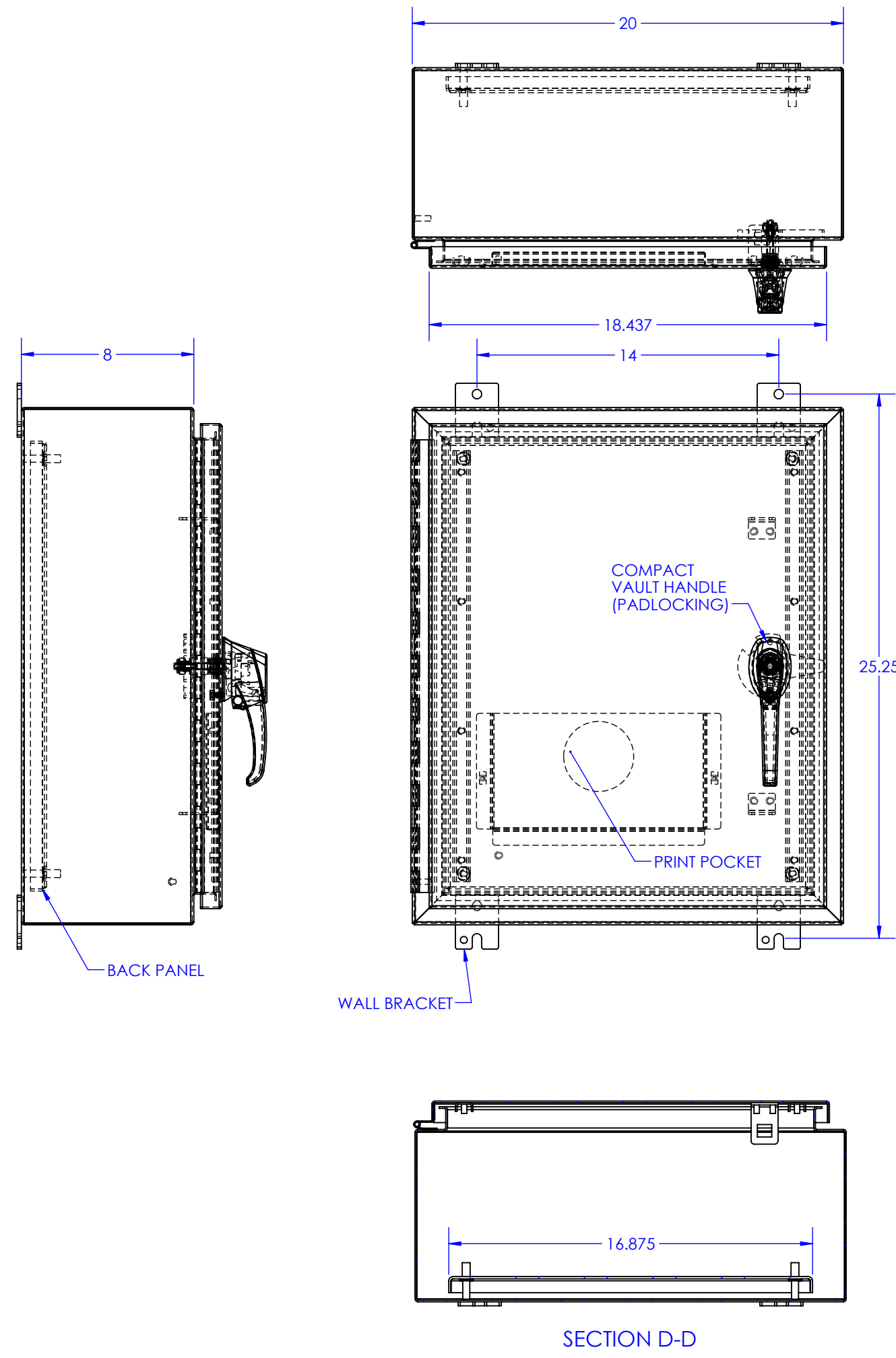
4

3

2

1

REVISIONS			
REV.	DESCRIPTION	DATE	APPROVED



PROPRIETARY AND CONFIDENTIAL		NAME	DATE
THE INFORMATION CONTAINED IN THIS DRAWING IS THE SOLE PROPERTY OF RALSTON METAL PRODUCTS. ANY REPRODUCTION IN PART OR AS A WHOLE WITHOUT THE WRITTEN PERMISSION OF RALSTON METAL PRODUCTS IS PROHIBITED.		DRAWN BY WAYNE SYNNOTT	2022-12-20
UNLESS OTHERWISE SPECIFIED		ISSUED BY WAYNE SYNNOTT	2022-12-20
DIMENSIONS ARE IN INCHES		JOB ORDER NO:	
TOLERANCES:		CUSTOMER DRAWING NO:	
FRACTIONAL ± 1/32"			
ANGULAR MATCH 1"			
ONE PLACE DECIMAL ± 0.1"			
TWO PLACE DECIMAL ± 0.01"			
THREE PLACE DECIMAL ± 0.005"			
MATERIAL:			
SEE BOM		(AUTHORIZED SIGNATURE IN RED)	SIZE PART NAME REV.
FINISH:			C N43P-SS-242008 -
SEE BOM			PART NO. N43P-SS-242008
DO NOT SCALE DRAWING	THIRD ANGLE PROJECTION		SCALE: 1:6 WEIGHT: 56.704 SHEET 1 OF 1

50 WATSON ROAD
QUELPS, ONTARIO N7L 1E2
PHONE: (519) 836-2969
TOLL FREE: 1-800-265-7611
FAX: (519) 836-9793

Ralston
Metal Products Limited

CUSTOMER: RALSTON STOCK
SHOP DRAWING NUMBER:
PART NAME: N43P-SS-242008
REV: -

4

3

2

1

D

D

C

C

B

B

A

A