

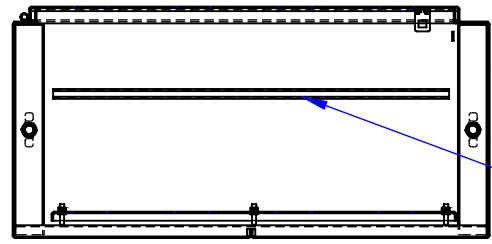
4

3

2

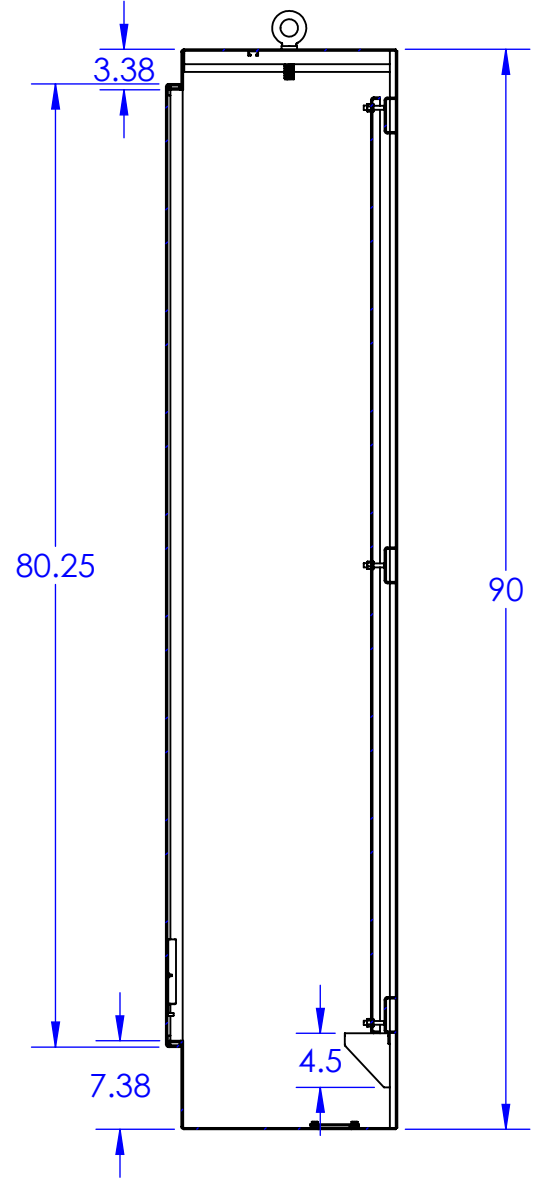
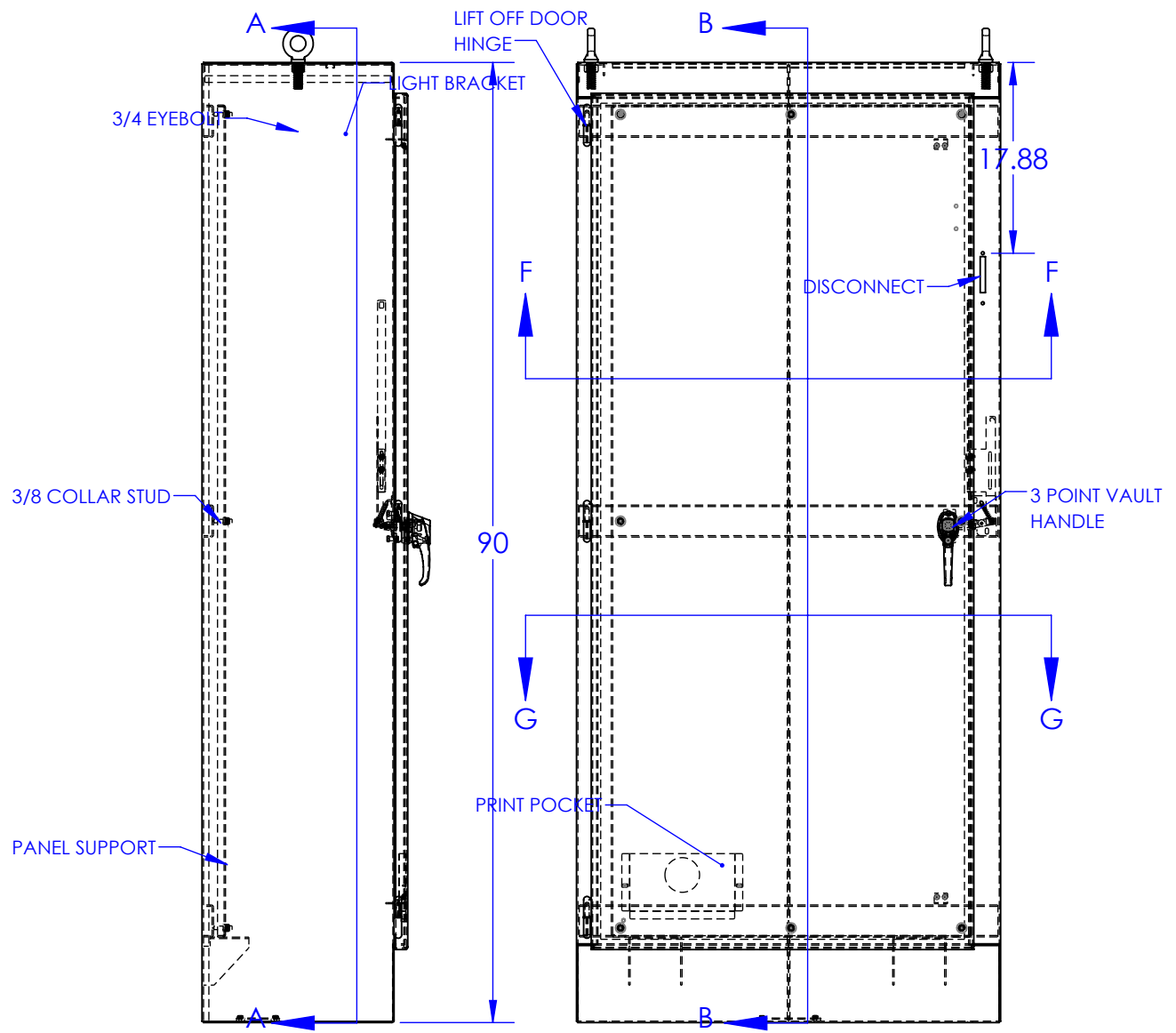
1

| REVISIONS | | | |
|-----------|-------------|------|----------|
| REV. | DESCRIPTION | DATE | APPROVED |
| | | | |

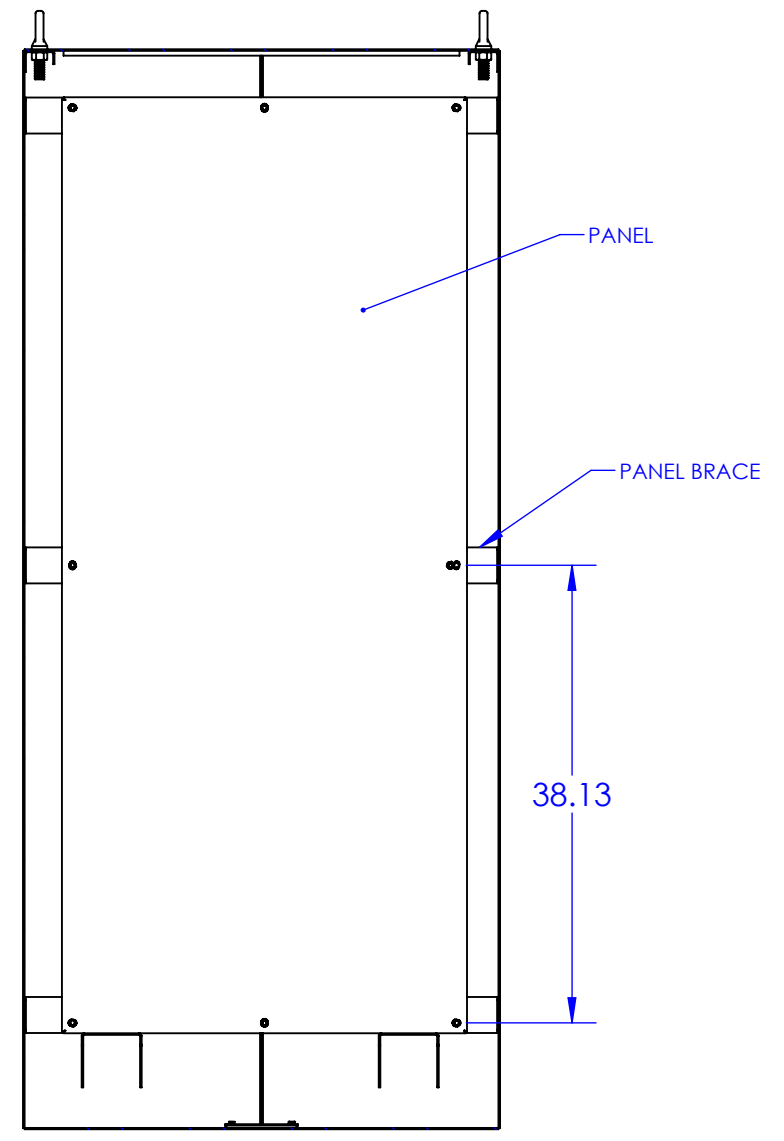


LIGHT BRACKET

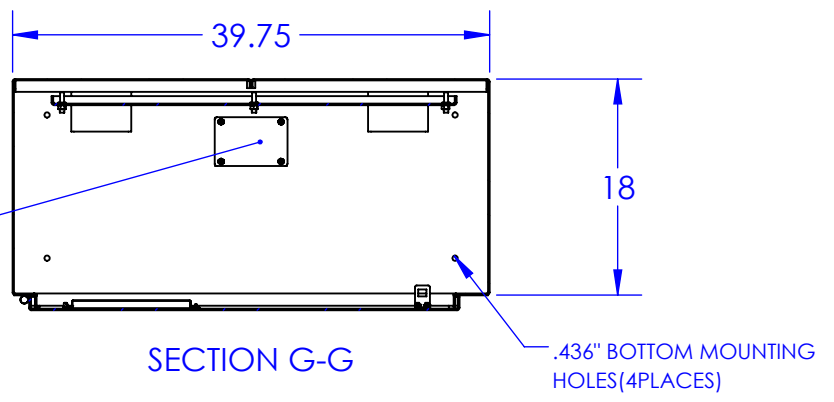
SECTION F-F



SECTION B-B



SECTION A-A



SECTION G-G

.436" BOTTOM MOUNTING HOLES(4PLACES)

| | | |
|--|--|--|
| <p>PROPRIETARY AND CONFIDENTIAL</p> <p>THE INFORMATION CONTAINED IN THIS DRAWING IS THE SOLE PROPERTY OF RALSTON METAL PRODUCTS. ANY REPRODUCTION IN PART OR AS A WHOLE WITHOUT THE WRITTEN PERMISSION OF RALSTON METAL PRODUCTS IS PROHIBITED.</p> <p>UNLESS OTHERWISE SPECIFIED</p> <p>DIMENSIONS ARE IN INCHES</p> <p>TOLERANCES:</p> <p>FRACTIONAL: ±1/32"</p> <p>ANGULAR: MACH ±1° BEND ±1/32"</p> <p>ONE PLACE DECIMAL: ±0.1"</p> <p>TWO PLACE DECIMAL: ±0.01"</p> <p>THREE PLACE DECIMAL: ±0.005"</p> <p>MATERIAL:</p> <p>SEE BOM</p> <p>FINISH:</p> <p>SEE BOM</p> <p>DO NOT SCALE DRAWING</p> | <p>NAME: DAVID CIKURU</p> <p>DATE: 3/26/2019</p> | <p>50 Watson Road Guelph, Ontario N1L 1E2 Phone: (519) 836-2968 Toll Free: 1-800-265-7611 Fax: (519) 836-9763 www.ralstonmetal.com</p> |
| | <p>ISSUED BY:</p> <p>JOB ORDER NO:</p> | <p>CUSTOMER:</p> |
| | <p>CUSTOMER DRAWING NO:</p> | <p>SHOP DRAWING NUMBER:</p> |
| | <p>(AUTHORIZED SIGNATURE IN RED)</p> <p>THIRD ANGLE PROJECTION</p> | <p>SIZE: B</p> <p>PART NAME: 4-1D-904018</p> <p>REV.:</p> |
| <p>SEE BOM</p> | <p>PART NO. 4-1D-904018</p> | <p>SCALE: 1:16</p> |
| <p>WEIGHT: 584.287</p> | <p>SHEET 1 OF 1</p> | |

4

3

2

1