

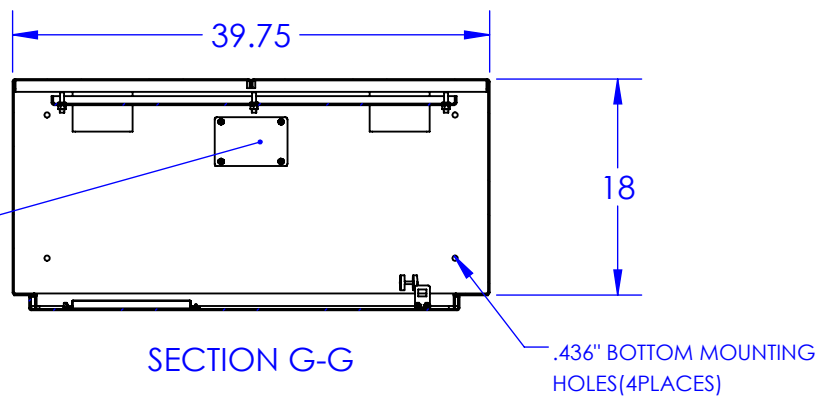
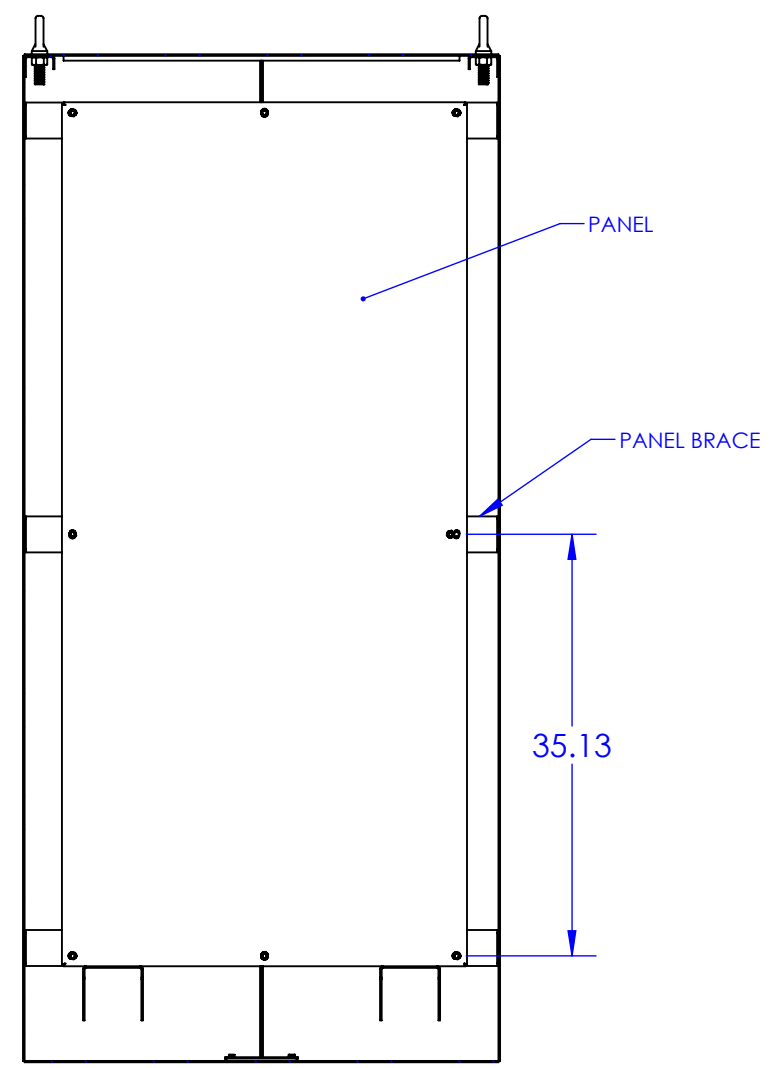
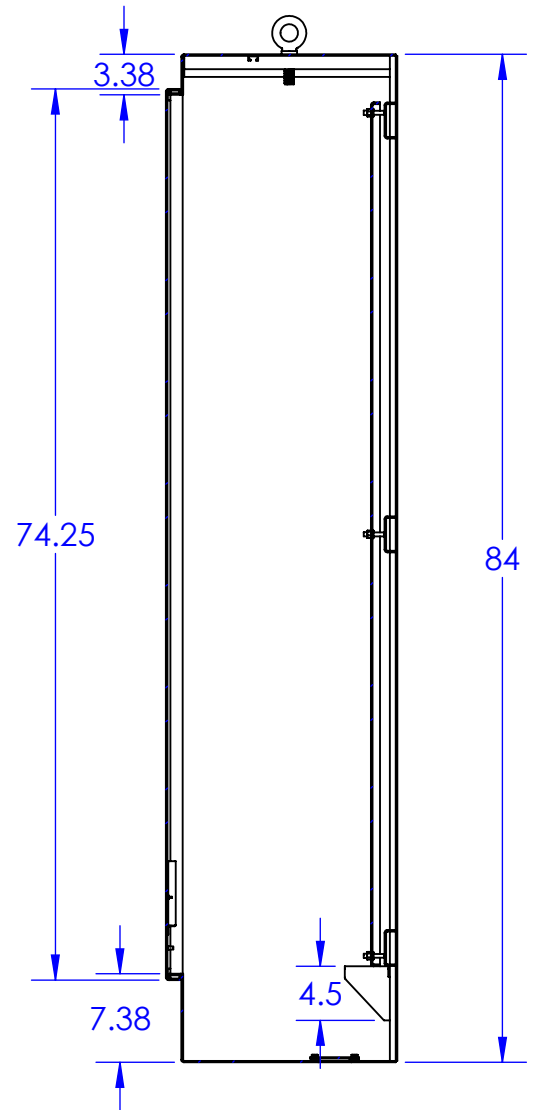
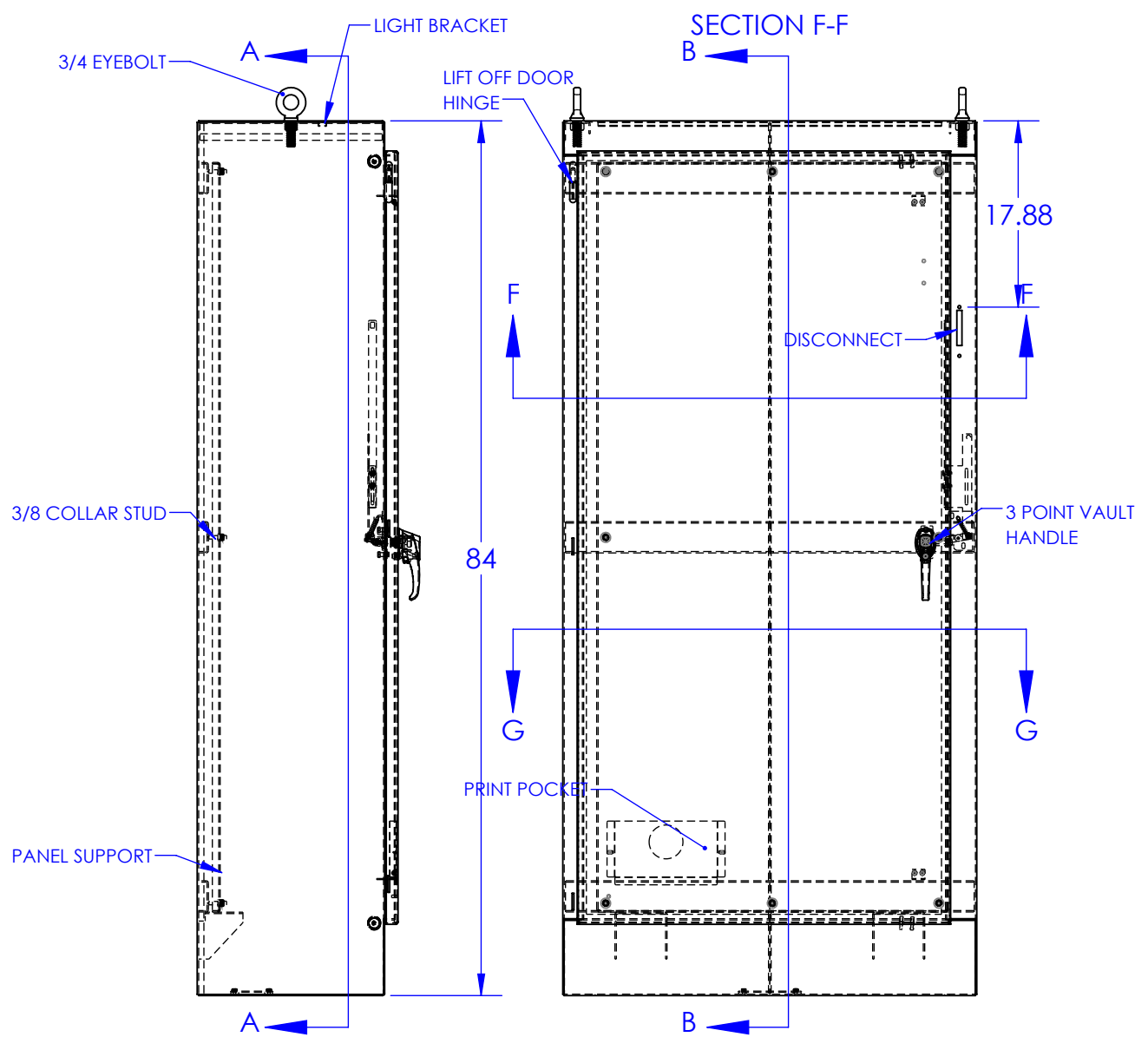
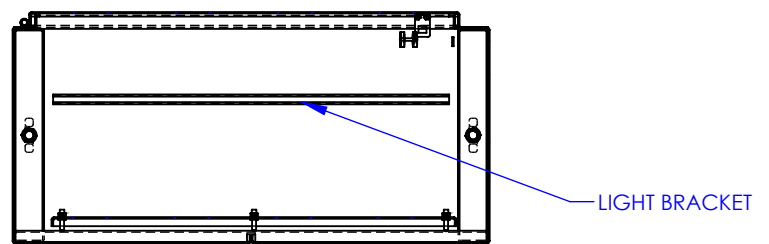
4

3

2

1

REVISIONS			
REV.	DESCRIPTION	DATE	APPROVED



PROPRIETARY AND CONFIDENTIAL
THE INFORMATION CONTAINED IN THIS DRAWING IS THE SOLE PROPERTY OF RALSTON METAL PRODUCTS. ANY REPRODUCTION IN PART OR AS A WHOLE WITHOUT THE WRITTEN PERMISSION OF RALSTON METAL PRODUCTS IS PROHIBITED.

UNLESS OTHERWISE SPECIFIED
DIMENSIONS ARE IN INCHES
TOLERANCES:
FRACTIONAL: ±1/32"
ANGULAR: MACH ±1° BEND ±1/32"
ONE PLACE DECIMAL ±0.1"
TWO PLACE DECIMAL ±0.01"
THREE PLACE DECIMAL ±0.005"

MATERIAL:
SEE BOM
FINISH:
SEE BOM
DO NOT SCALE DRAWING

NAME: DAVID CIKURU
DATE: 3/27/2019
ISSUED BY:
JOB ORDER NO.:
CUSTOMER DRAWING NO.:
(AUTHORIZED SIGNATURE IN RED)
THIRD ANGLE PROJECTION

50 Watson Road
Guelph, Ontario N1L 1E2
Phone: (519) 836-2968
Toll Free: 1-800-265-7611
Fax: (519) 836-9763
www.ralstonmetal.com

Ralston
Metal Products Limited

CUSTOMER:
SHOP DRAWING NUMBER:
SIZE: B PART NAME: 4-1D-844018 REV.
PART NO. 4-1D-844018
SCALE: 1:16 WEIGHT: 541.546 SHEET 1 OF 1

4

3

2

1