

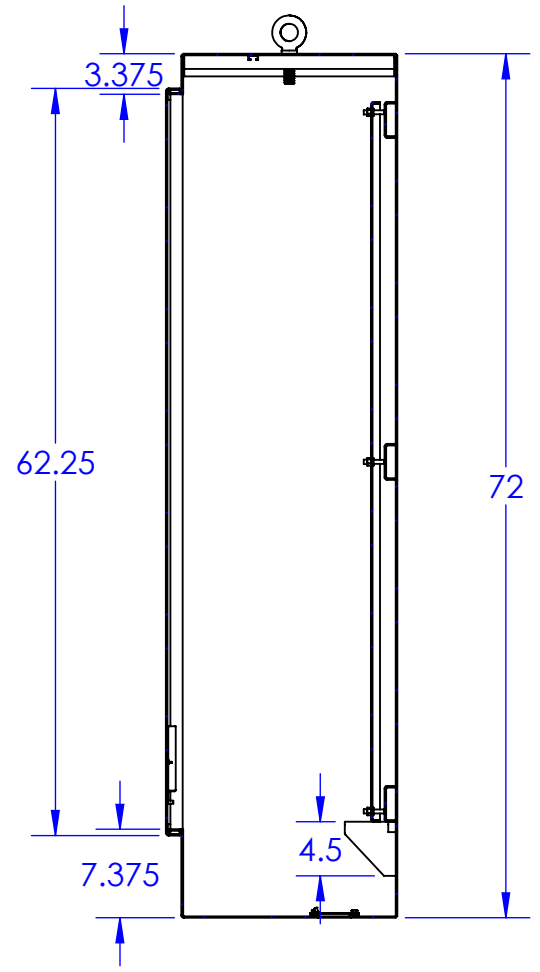
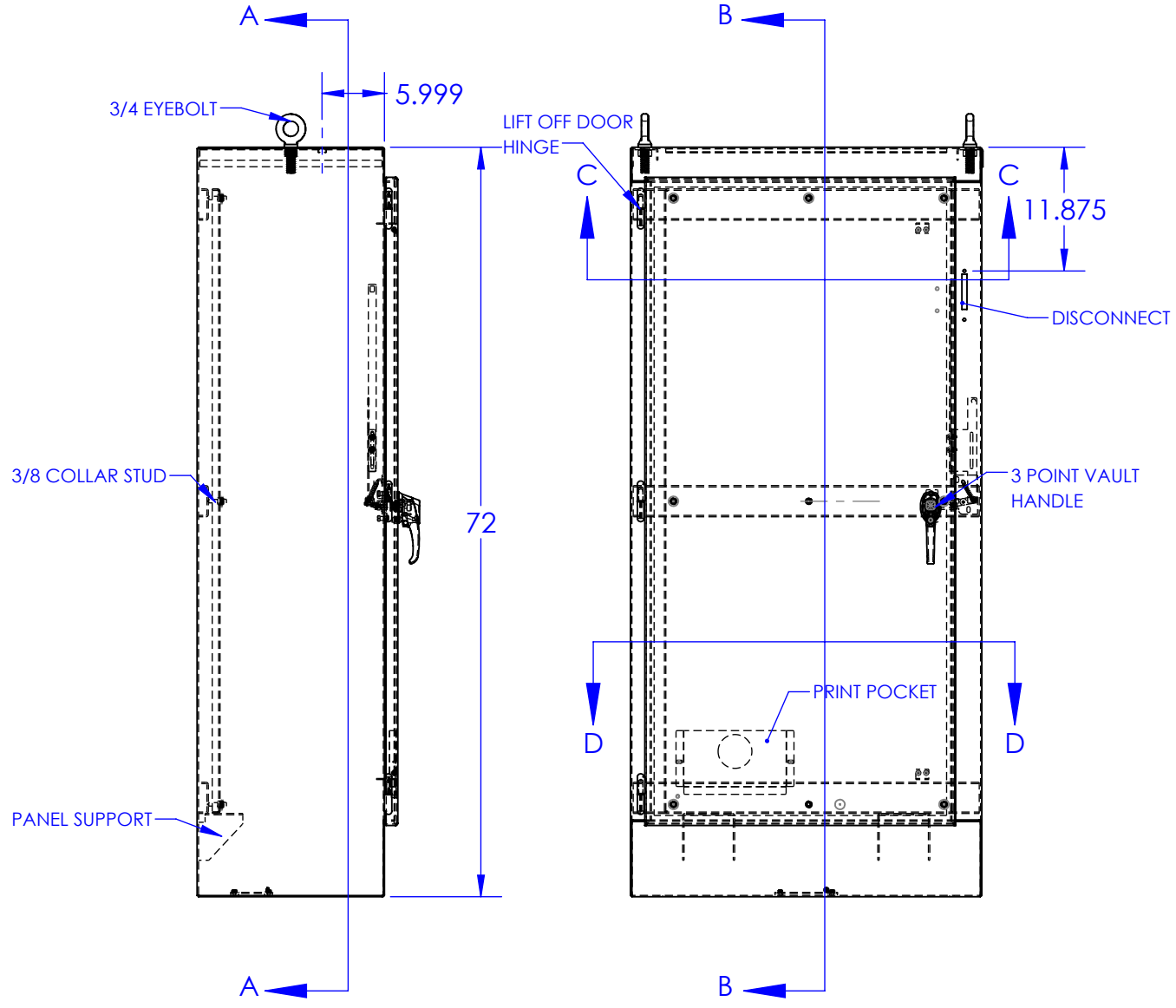
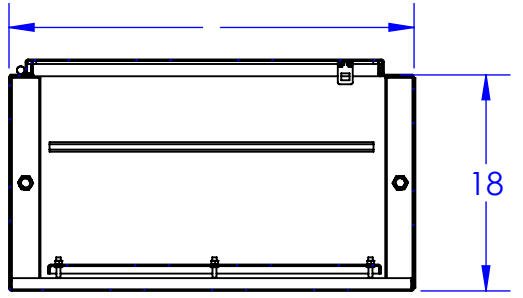
4

3

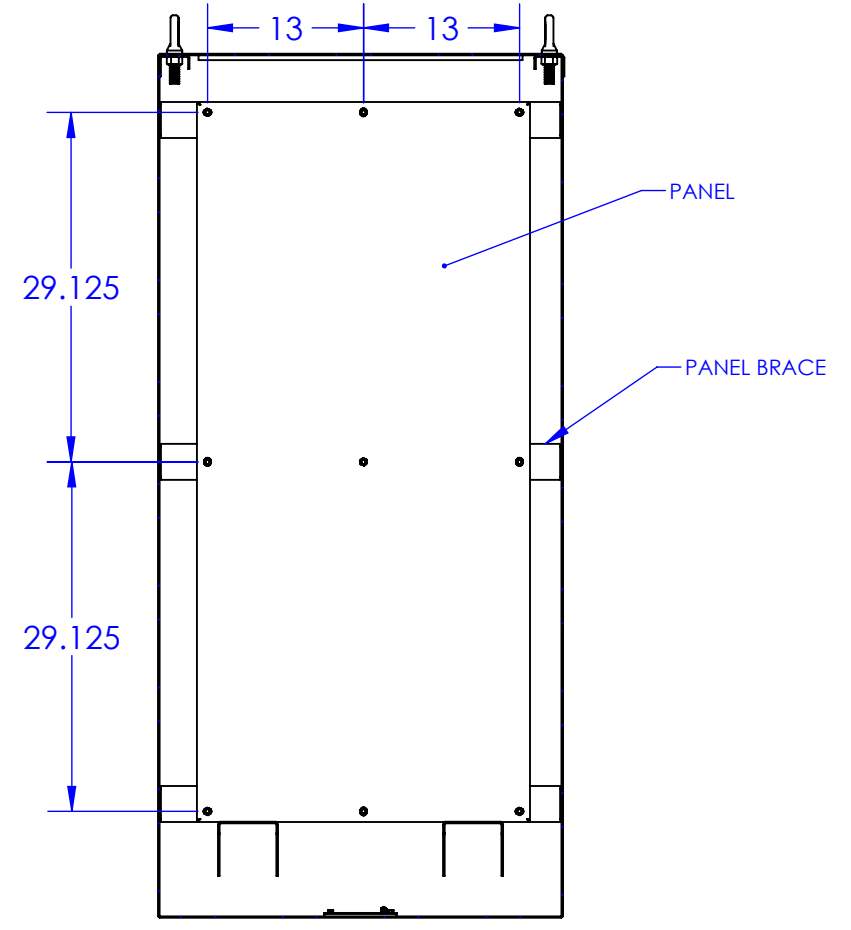
2

1

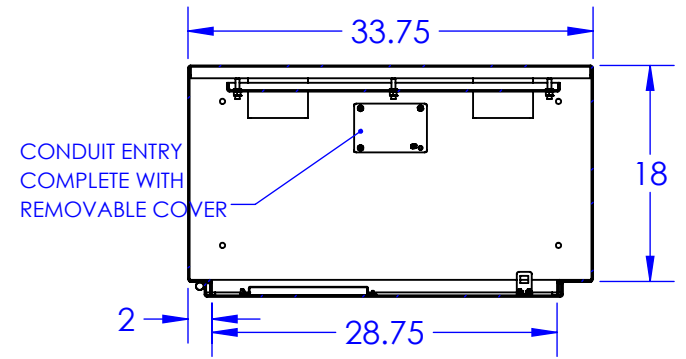
| REVISIONS | | | |
|-----------|-------------|------|----------|
| REV. | DESCRIPTION | DATE | APPROVED |
| | | | |



SECTION B-B



SECTION A-A



| | | |
|--|--|--|
| PROPRIETARY AND CONFIDENTIAL THE INFORMATION CONTAINED IN THIS DRAWING IS THE SOLE PROPERTY OF RALSTON METAL PRODUCTS. ANY REPRODUCTION IN PART OR AS A WHOLE WITHOUT THE WRITTEN PERMISSION OF RALSTON METAL PRODUCTS IS PROHIBITED. UNLESS OTHERWISE SPECIFIED DIMENSIONS ARE IN INCHES TOLERANCES: FRACTIONAL: ±1/32" ANGULAR: MACH ±1° BEND ±1/32" ONE PLACE DECIMAL ±0.1" TWO PLACE DECIMAL ±0.01" THREE PLACE DECIMAL ±0.005" MATERIAL: SEE BOM FINISH: SEE BOM DO NOT SCALE DRAWING | NAME: DAVE BURNS DATE: 2023-03-06 NAME: DAVE BURNS DATE: 2023-03-06 JOB ORDER NO: CUSTOMER DRAWING NO: (AUTHORIZED SIGNATURE IN RED) THIRD ANGLE PROJECTION | 50 Watson Road Guelph, Ontario N1L 1E2 Phone: (519) 836-2968 Toll Free: 1-800-265-7611 Fax: (519) 836-9763 www.ralstonmetal.com Ralston Metal Products Limited CUSTOMER: RALSTON STOCK SHOP DRAWING NUMBER: SIZE: B PART NAME: 4000-1D-723418 REV. PART NO. 4-1D-723418 SCALE: 1:16 WEIGHT: 417.109 SHEET 1 OF 1 |
|--|--|--|

4

3

2

1