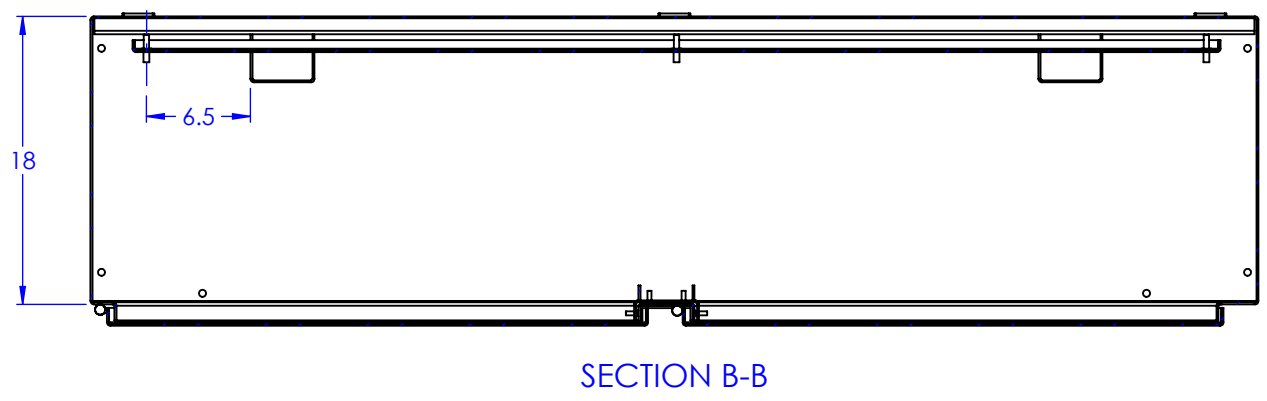
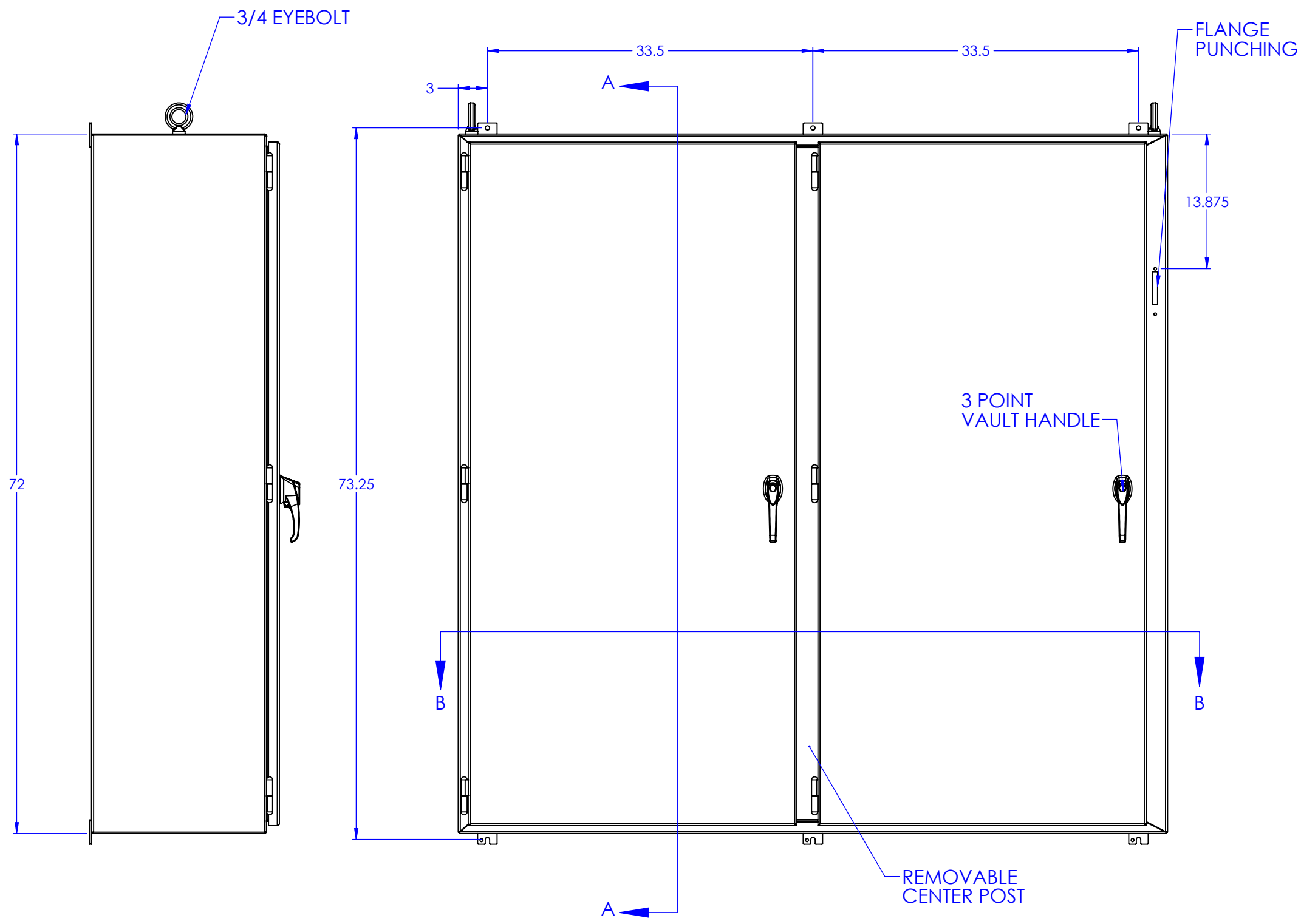
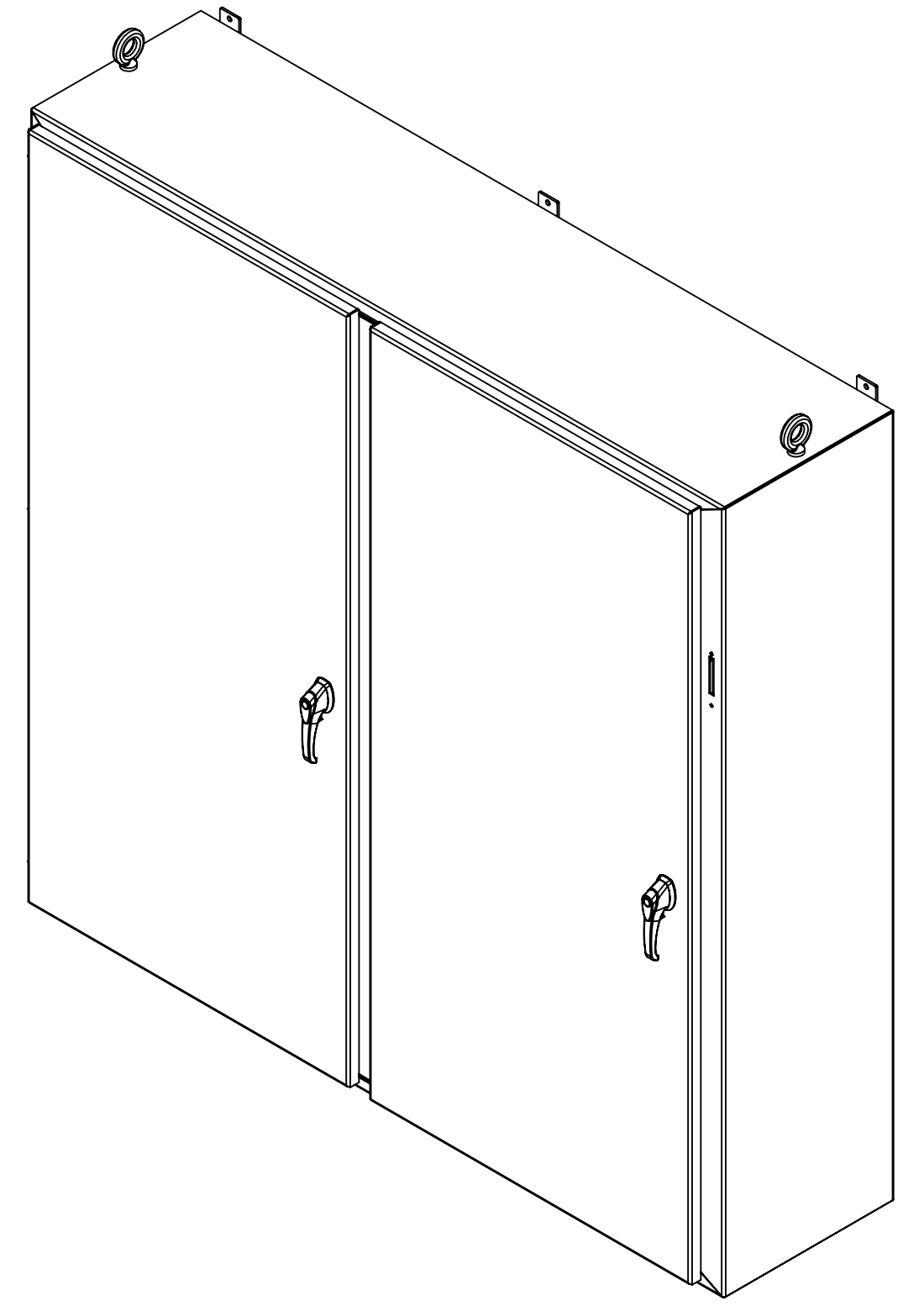
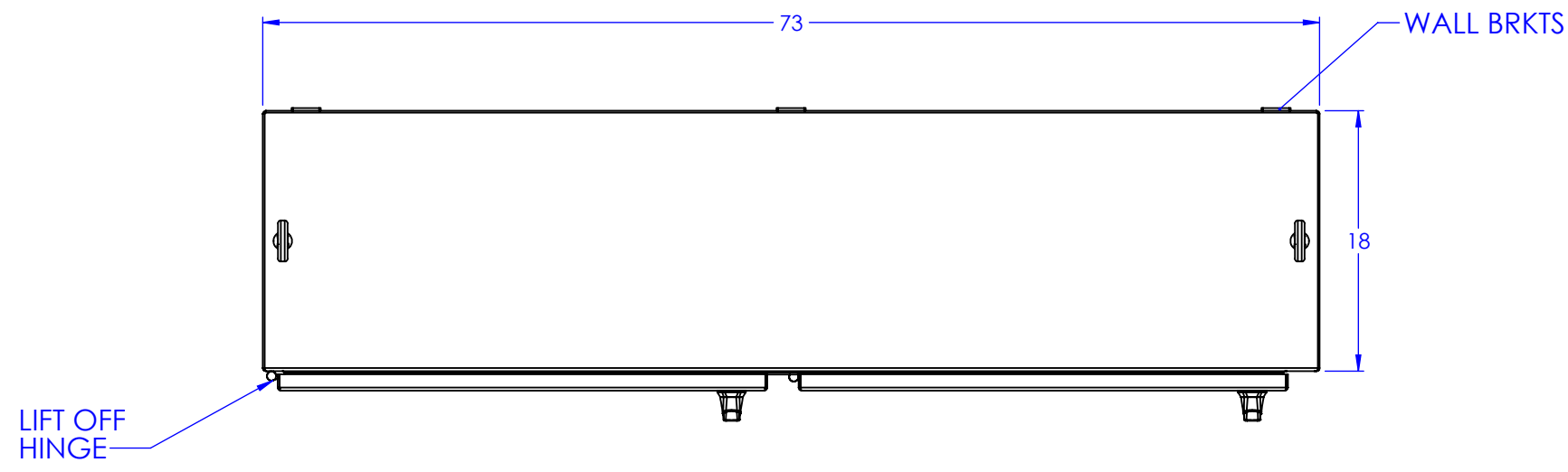


| REVISIONS |             |      |          |
|-----------|-------------|------|----------|
| REV.      | DESCRIPTION | DATE | APPROVED |



|   |  |  |
|---|--|--|
| <b>PROPRIETARY AND CONFIDENTIAL</b><br>THE INFORMATION CONTAINED IN THIS DRAWING IS THE SOLE PROPERTY OF RALSTON METAL PRODUCTS. ANY REPRODUCTION IN PART OR AS A WHOLE WITHOUT THE WRITTEN PERMISSION OF RALSTON METAL PRODUCTS IS PROHIBITED.<br><br><b>UNLESS OTHERWISE SPECIFIED</b><br>DIMENSIONS ARE IN INCHES<br>TOLERANCES:<br>FRACTIONAL ± 1/32"<br>ANGULAR ± 0.031°<br>ONE PLACE DECIMAL ± 0.1"<br>TWO PLACE DECIMAL ± 0.01"<br>THREE PLACE DECIMAL ± 0.002"<br>MATERIAL:<br>FINISH:<br>SEE BOM<br>DO NOT SCALE DRAWING | NAME: DAVE BURNS<br>DATE: 2023-02-10<br>ISSUED BY: DAVE BURNS<br>DATE: 2023-02-10<br>JOB ORDER NO: | 50 WATSON ROAD<br>QUELPS, ONTARIO N7L 1E2<br>PHONE: (519) 836-2969<br>TOLL FREE: 1-800-265-7611<br>FAX: (519) 836-9793<br><b>Ralston</b><br>Metal Products Limited<br>www.RALSTONMETAL.COM |
|   | CUSTOMER DRAWING NO:   | RALSTON STOCK  |
|   | (AUTHORIZED SIGNATURE IN RED)<br>  | SIZE: C<br>PART NAME: 2000-FM-727318<br>REV: -   |
|   | THIRD ANGLE PROJECTION<br>   | PART NO.: 2000-FM-727318<br>SCALE: 1:12<br>WEIGHT: 806.511<br>SHEET 1 OF 1   |