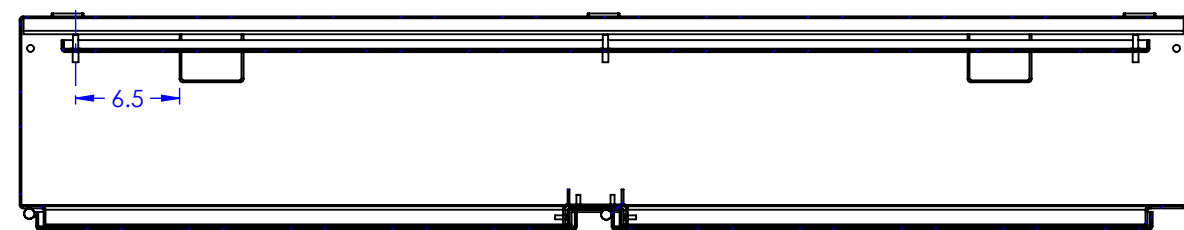
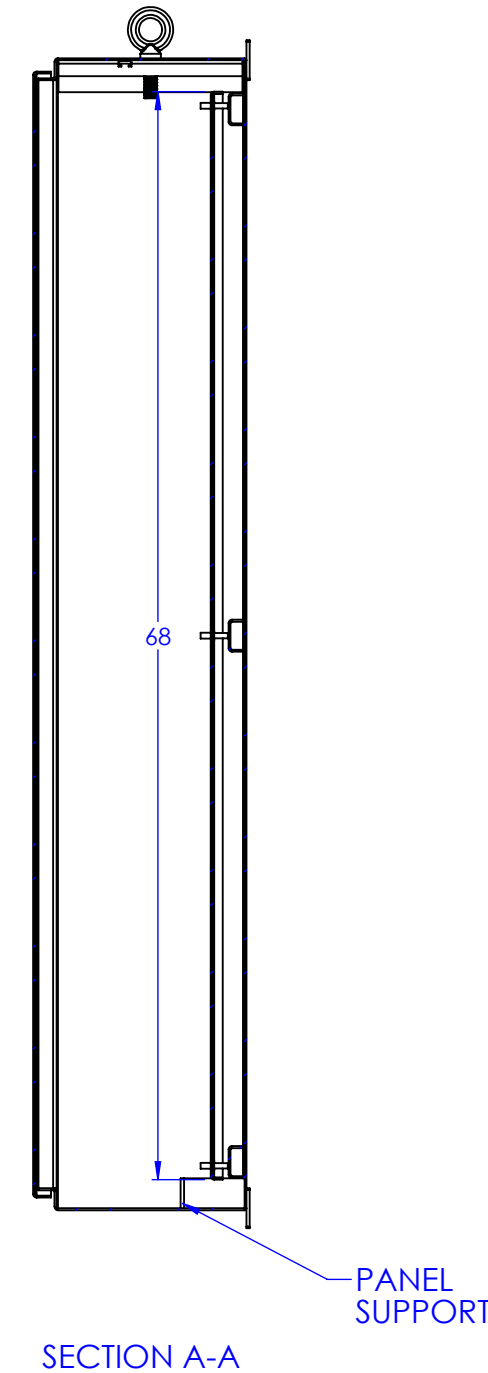
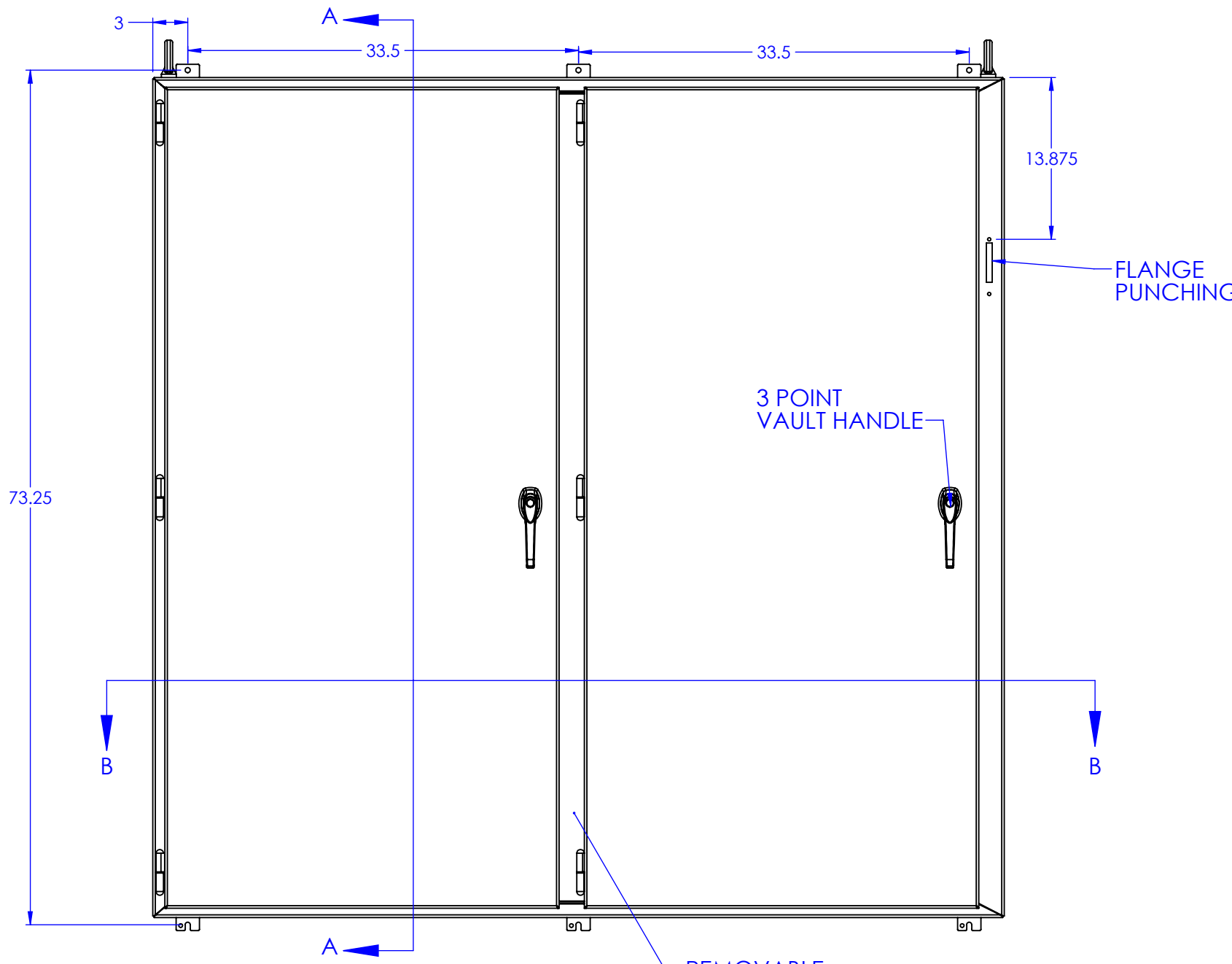
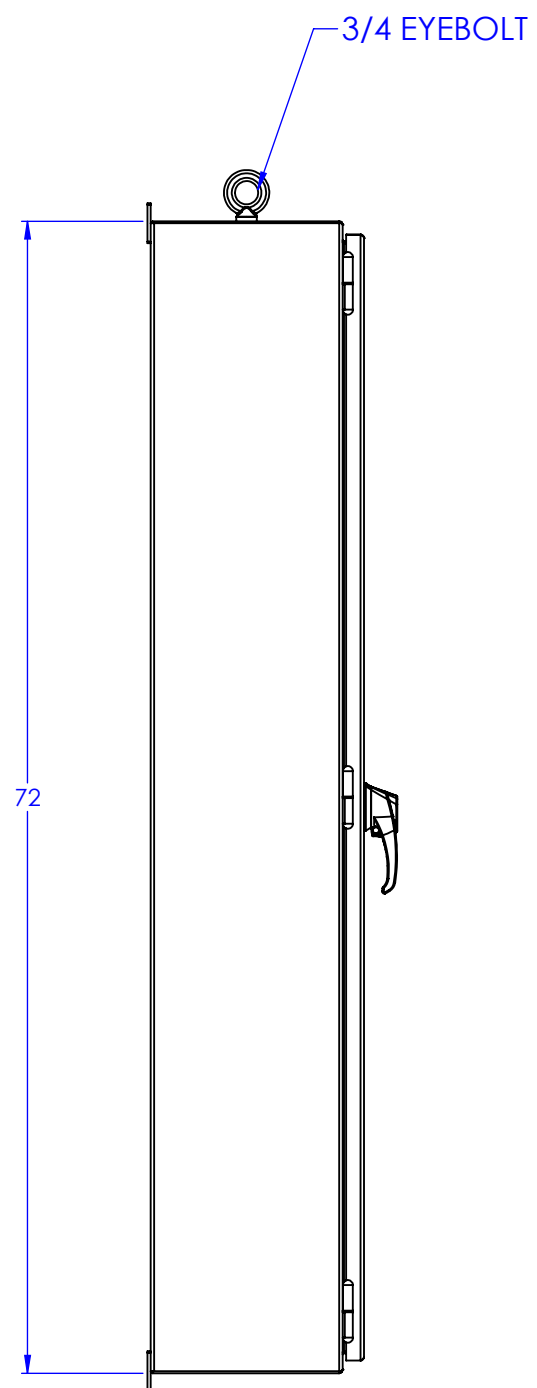
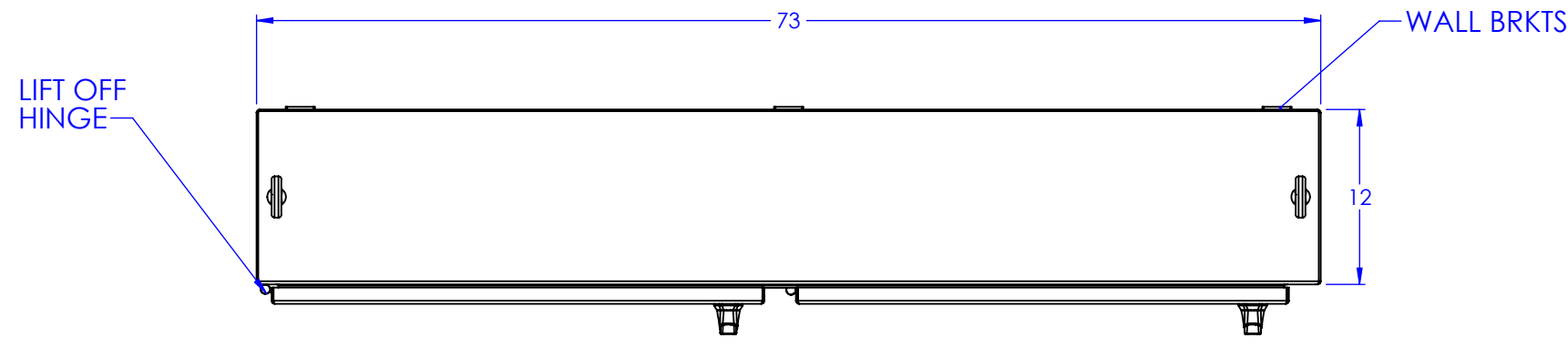
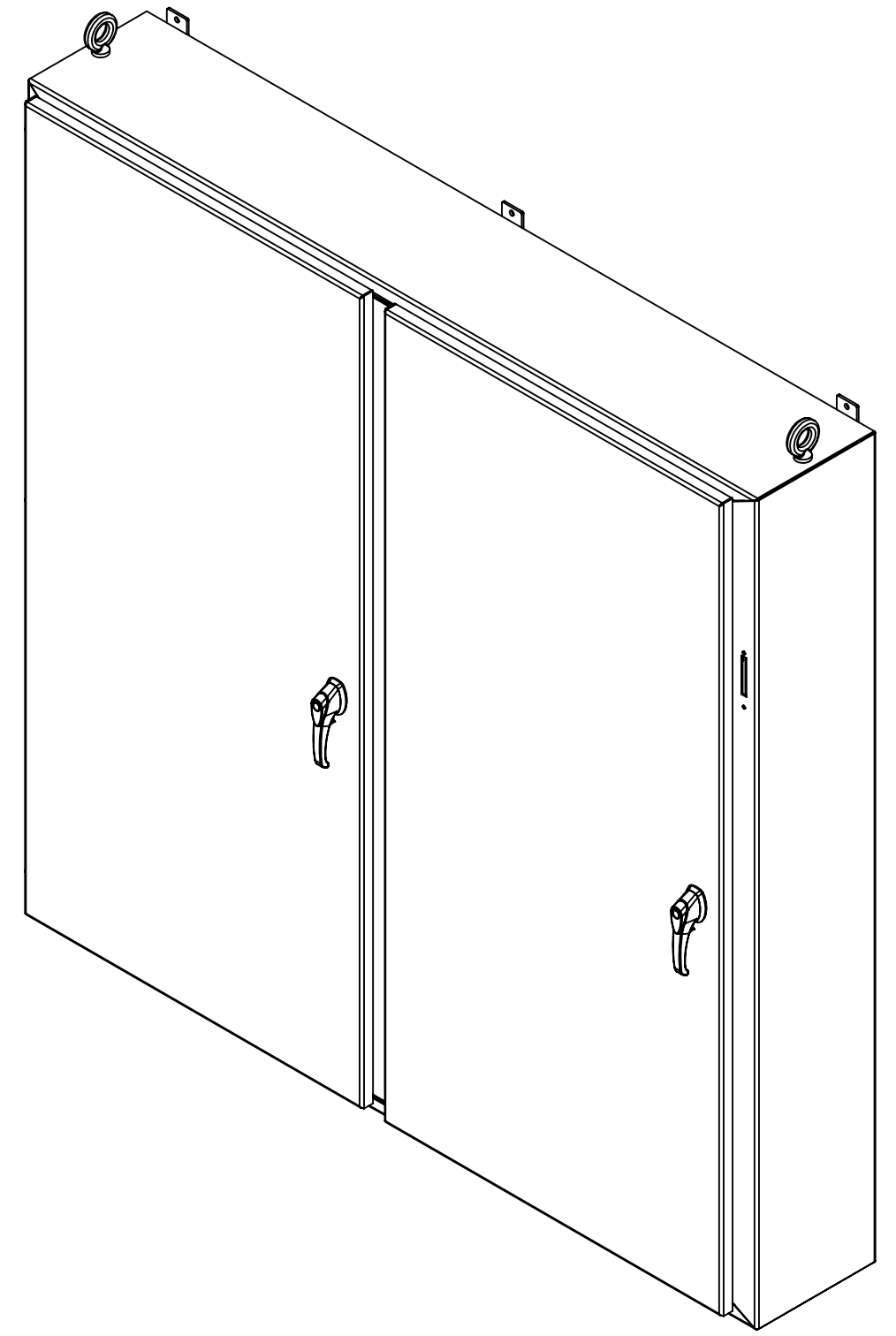


REVISIONS			
REV.	DESCRIPTION	DATE	APPROVED



<p>PROPRIETARY AND CONFIDENTIAL</p> <p>THE INFORMATION CONTAINED IN THIS DRAWING IS THE SOLE PROPERTY OF RALSTON METAL PRODUCTS. ANY REPRODUCTION IN PART OR AS A WHOLE WITHOUT THE WRITTEN PERMISSION OF RALSTON METAL PRODUCTS IS PROHIBITED.</p> <p>UNLESS OTHERWISE SPECIFIED</p> <p>DIMENSIONS ARE IN INCHES</p> <p>TOLERANCES:</p> <p>FRACTIONAL ± 1/32"</p> <p>ANGULAR ± 0.031°</p> <p>ONE PLACE DECIMAL ± 0.1"</p> <p>TWO PLACE DECIMAL ± 0.01"</p> <p>THREE PLACE DECIMAL ± 0.005"</p> <p>MATERIAL:</p>	<p>NAME: DAVE BURNS</p> <p>DATE: 2023-02-10</p> <p>ISSUED BY: DAVE BURNS</p> <p>2023-02-10</p> <p>JOB ORDER NO:</p>	<p>50 WATSON ROAD QUELUP, ONTARIO N7L 1E2</p> <p>PHONE: (519) 836-2969 TOLL FREE: 1-800-265-7611 FAX: (519) 836-9793</p>
	<p>CUSTOMER DRAWING NO:</p>	<p>CUSTOMER:</p>
	<p>(AUTHORIZED SIGNATURE IN RED)</p>	<p>RALSTON STOCK</p> <p>SHOP DRAWING NUMBER:</p>
	<p>SEE BOM</p> <p>FINISH:</p> <p>SEE BOM</p> <p>DO NOT SCALE DRAWING</p>	<p>SCALE: 1:12</p> <p>THIRD ANGLE PROJECTION</p>