

4

3

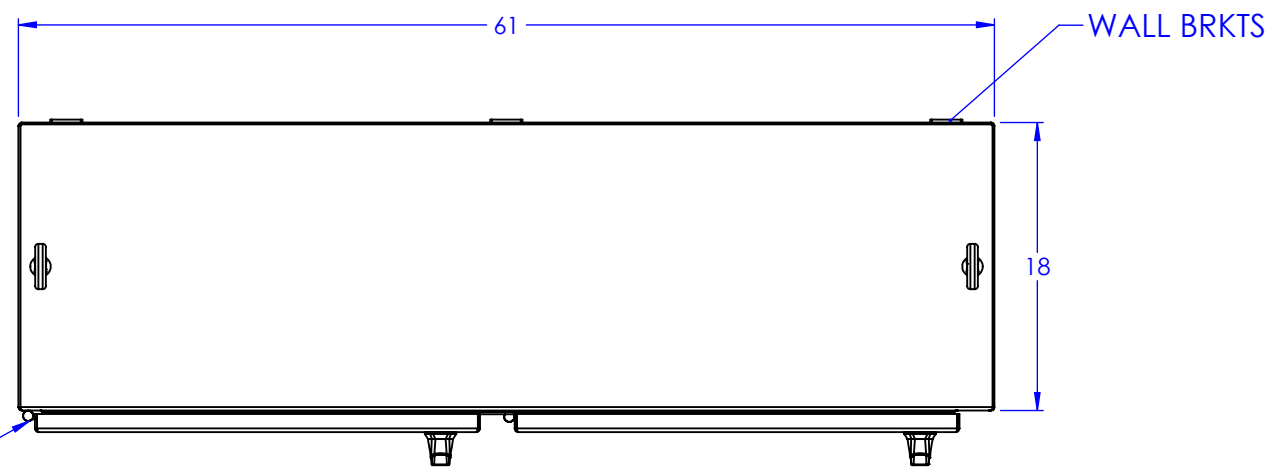
2

1

REVISIONS			
REV.	DESCRIPTION	DATE	APPROVED

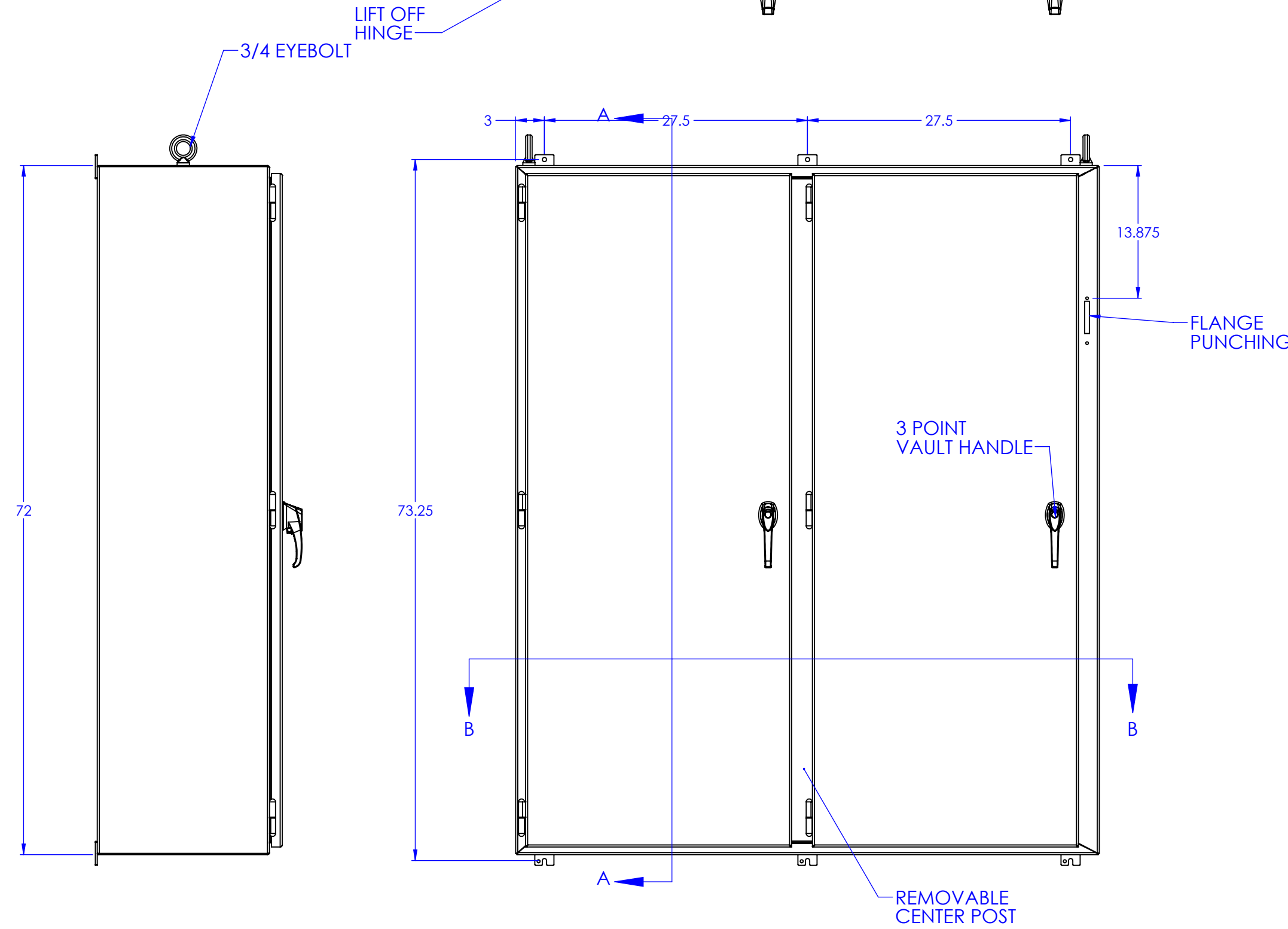
D

D



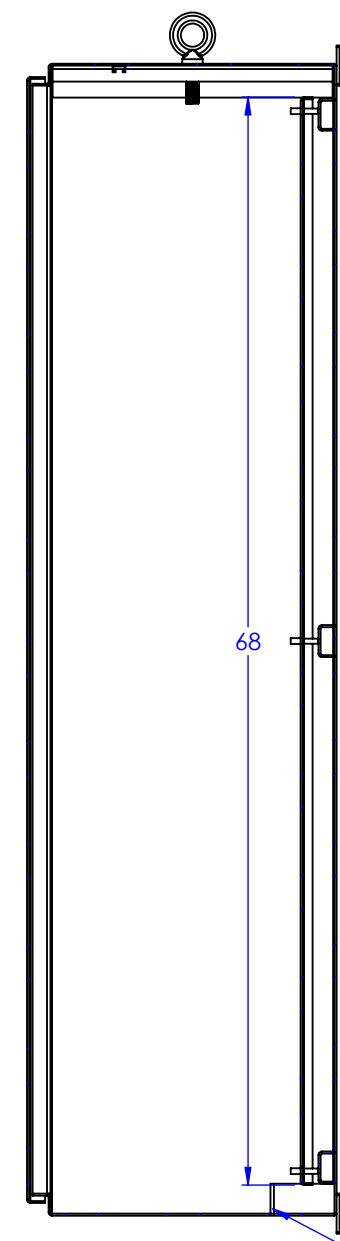
C

C

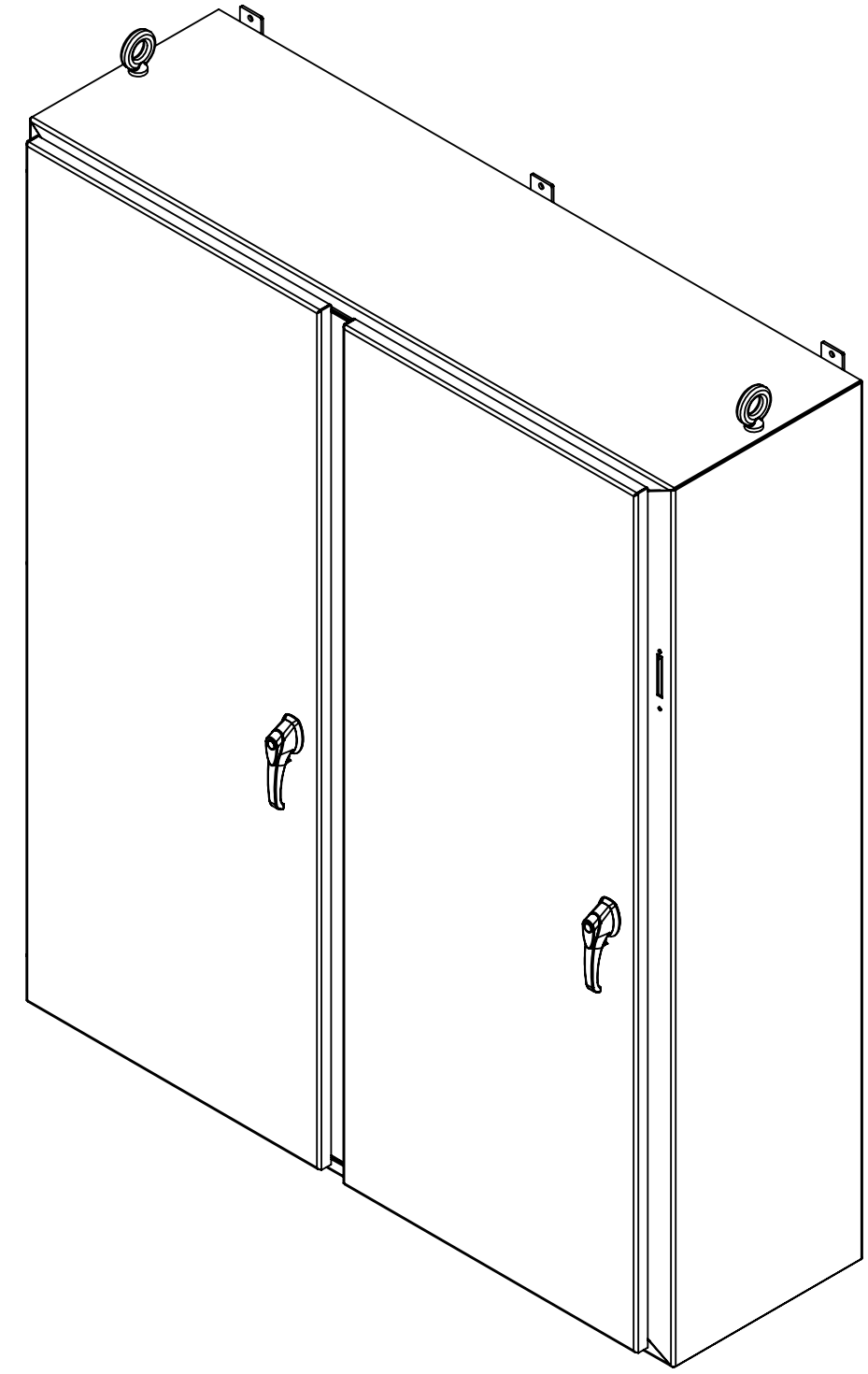


B

B

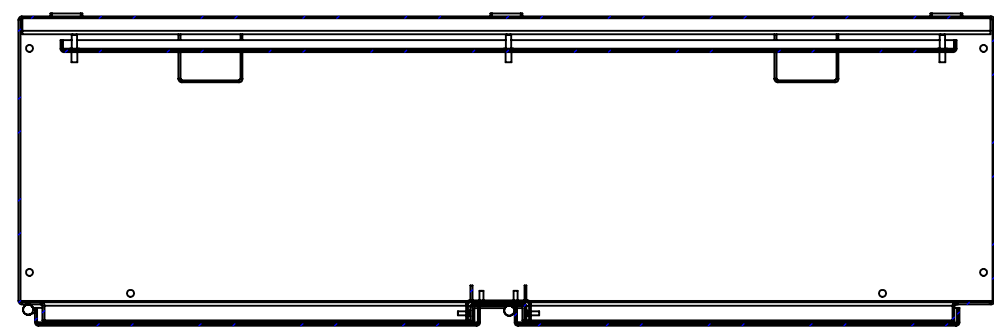


SECTION A-A



A

A



SECTION B-B

4

3

2

1

**PROPRIETARY AND CONFIDENTIAL**  
THE INFORMATION CONTAINED IN THIS DRAWING IS THE SOLE PROPERTY OF RALSTON METAL PRODUCTS. ANY REPRODUCTION IN PART OR AS A WHOLE WITHOUT THE WRITTEN PERMISSION OF RALSTON METAL PRODUCTS IS PROHIBITED.

**UNLESS OTHERWISE SPECIFIED**  
DIMENSIONS ARE IN INCHES  
TOLERANCES:  
FRACTIONAL ± 1/32"  
ANGULAR ± 0.1°  
ONE PLACE DECIMAL ± 0.1"  
TWO PLACE DECIMAL ± 0.01"  
THREE PLACE DECIMAL ± 0.005"  
MATERIAL:

NAME	DAVE BURNS	DATE	2023-02-10
ISSUED BY	DAVE BURNS	DATE	2023-02-10
JOB ORDER NO.			
CUSTOMER DRAWING NO.			

50 WATSON ROAD  
QUELPS, ONTARIO N7L 1E2  
PHONE: (519) 836-2969  
TOLL FREE: 1-800-265-7611  
FAX: (519) 836-9793

**Ralston**  
Metal Products Limited  
www.ralstonmetal.com

CUSTOMER: RALSTON STOCK  
SHOP DRAWING NUMBER:  

SIZE	PART NAME:	REV.
C	2000-FM-726118	-
PART NO.	2000-FM-726118	
SCALE:	1:12	WEIGHT: 694.949
		SHEET 1 OF 1

SEE BOM  
FINISH:  

DO NOT SCALE DRAWING

THIRD ANGLE PROJECTION

(AUTHORIZED SIGNATURE IN RED)