

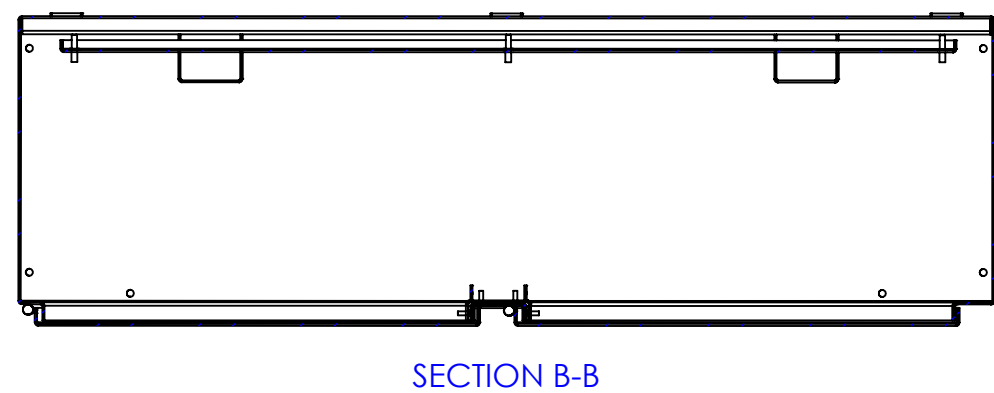
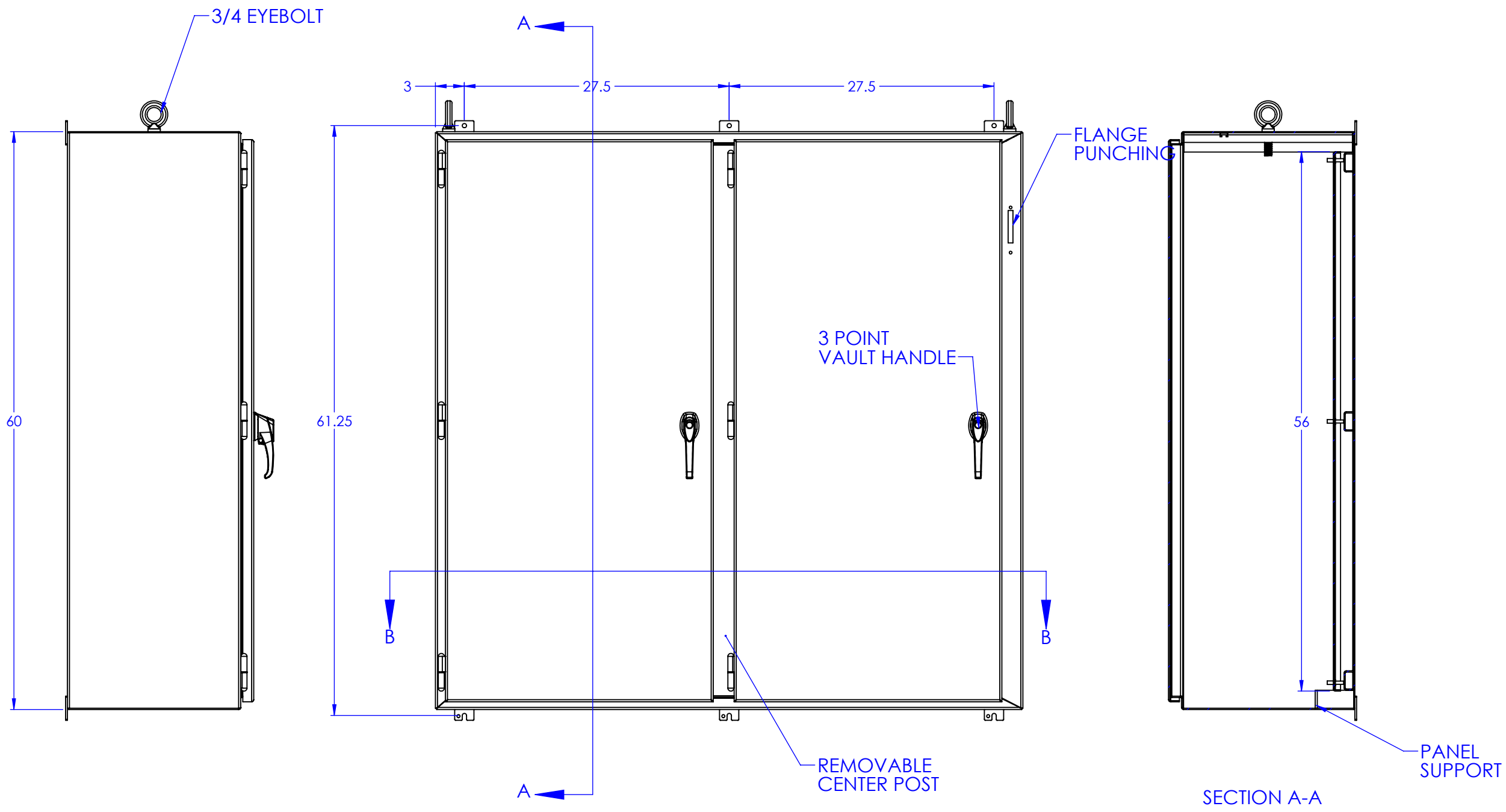
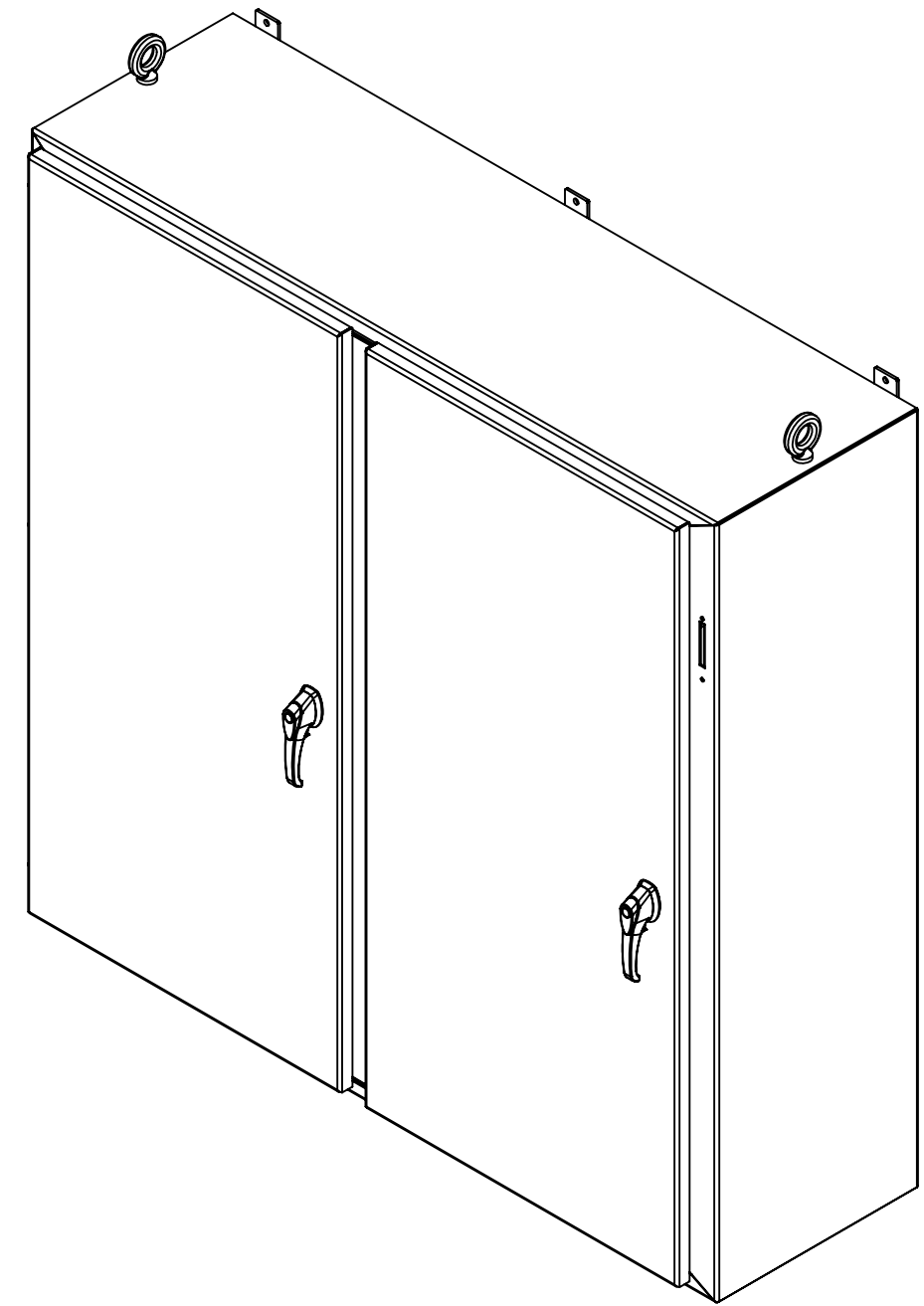
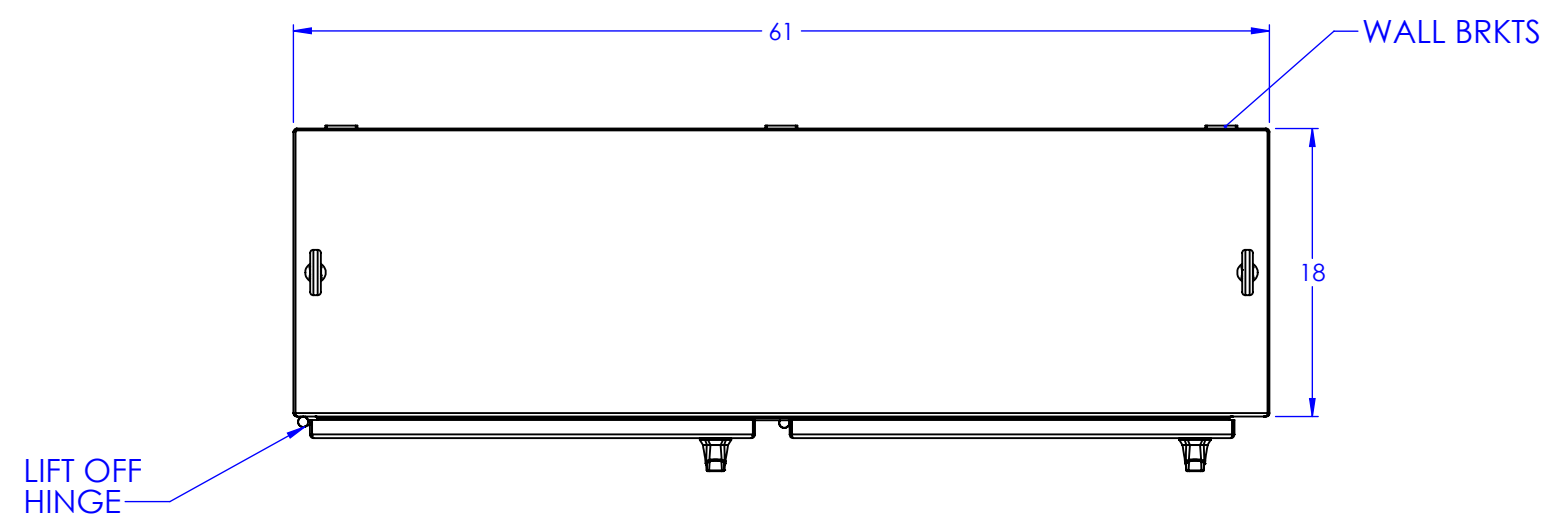
4

3

2

1

REVISIONS			
REV.	DESCRIPTION	DATE	APPROVED



PROPRIETARY AND CONFIDENTIAL THE INFORMATION CONTAINED IN THIS DRAWING IS THE SOLE PROPERTY OF RALSTON METAL PRODUCTS. ANY REPRODUCTION IN PART OR AS A WHOLE WITHOUT THE WRITTEN PERMISSION OF RALSTON METAL PRODUCTS IS PROHIBITED. UNLESS OTHERWISE SPECIFIED DIMENSIONS ARE IN INCHES TOLERANCES: FRACTIONAL ± 1/32" ANGULAR ± 0.1° ONE PLACE DECIMAL ± 0.1" TWO PLACE DECIMAL ± 0.01" THREE PLACE DECIMAL ± 0.005" MATERIAL: SEE BOM FINISH: SEE BOM DO NOT SCALE DRAWING	NAME: DAVE BURNS DATE: 2023-02-09 ISSUED BY: DAVE BURNS DATE: 2023-02-09 JOB ORDER NO:	50 WATSON ROAD QUELPS, ONTARIO N1L 1E2 PHONE: (519) 836-2969 TOLL FREE: 1-800-265-7611 FAX: (519) 836-9793 Ralston Metal Products Limited www.RALSTONMETAL.COM	CUSTOMER: RALSTON STOCK SHOP DRAWING NUMBER:
	CUSTOMER DRAWING NO:	SIZE: PART NAME: C 2000-FM-606118	REV: -
	(AUTHORIZED SIGNATURE IN RED)	PART NO.: 2000-FM-606118 SCALE: 1:12 WEIGHT: 599.055	SHEET 1 OF 1
	THIRD ANGLE PROJECTION		

4

3

2

1