

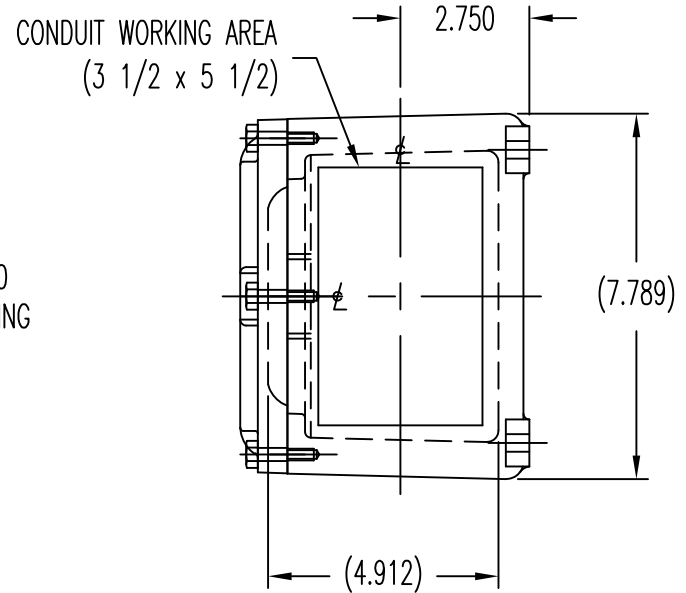
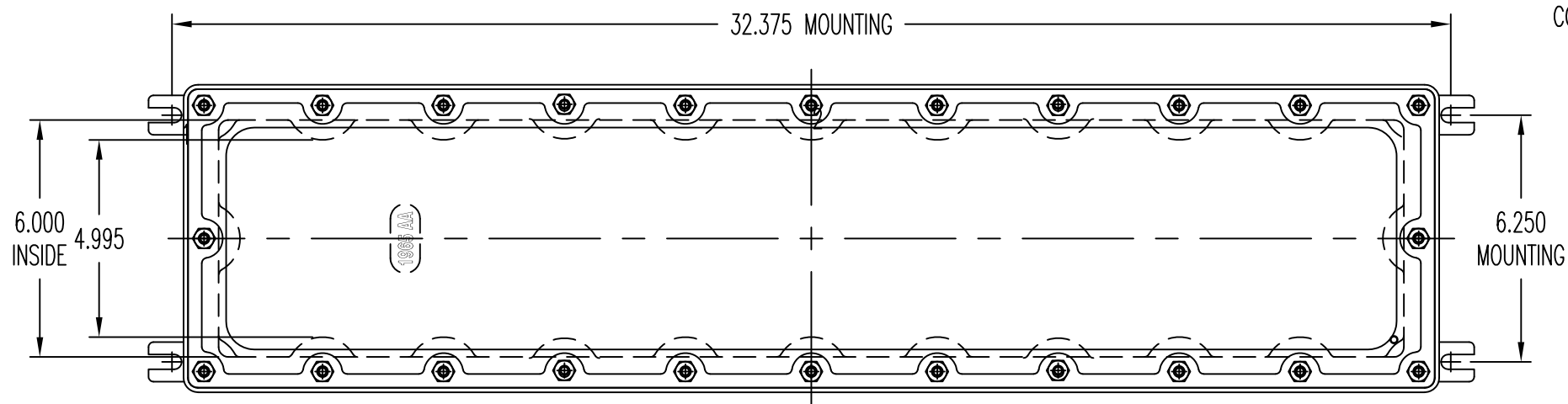
2

3

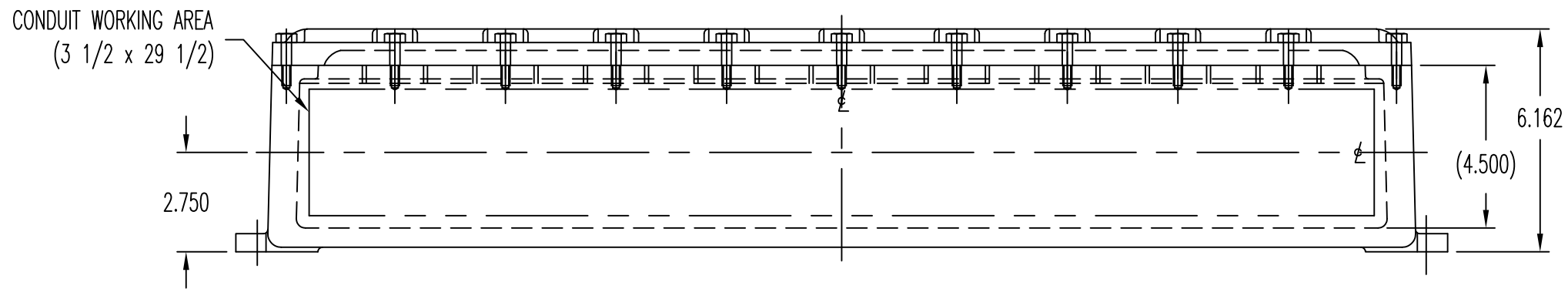
4

REVISION				
REV.	ECO	REV. BY	DATE	DESCRIPTION

D



C


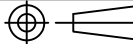


B

A

THIS DRAWING IS THE PROPERTY OF THE AKRON ELECTRIC INC. AND IS ISSUED TO THE RECIPIENT WITH THE UNDERSTANDING THAT IT SHALL NOT BE COPIED, DUPLICATED, PASSED ON TO OTHER PARTIES, NOR USED FOR ANY PURPOSE OTHER THAN THAT FOR WHICH IT IS SPECIFICALLY FURNISHED EXCEPT WITH OUR WRITTEN PERMISSION.

DIMENSIONAL TOLERANCES Unless Otherwise Specified
 .X ±0.015
 .XX ±0.010
 .XXX ±0.005
 ANG. ±1/2°
 FRAC. ±1/64
 DO NOT SCALE DRAWING
 REMOVE ALL BURRS
 DWG.FILE AXI6304

ITEM	QTY.	PART NO.	PART NAME	DESCRIPTION
 AKRON ELECTRIC, INC. AKRON, OHIO				
DRAWN	SMS	CHKD. BY	SCALE 1=4	PROJECTION 
DATE	01/22/2001	DATE CHKD.	CAT. NO. AXI/CXI 6304	PAGE 1 OF 1
DESC. AX/ CXI 6304				
TITLE OUTLINE / LAYOUT - AXI/CXI 6304				
MATERIAL	AL 357	DWG. NO.	6304	REV. -