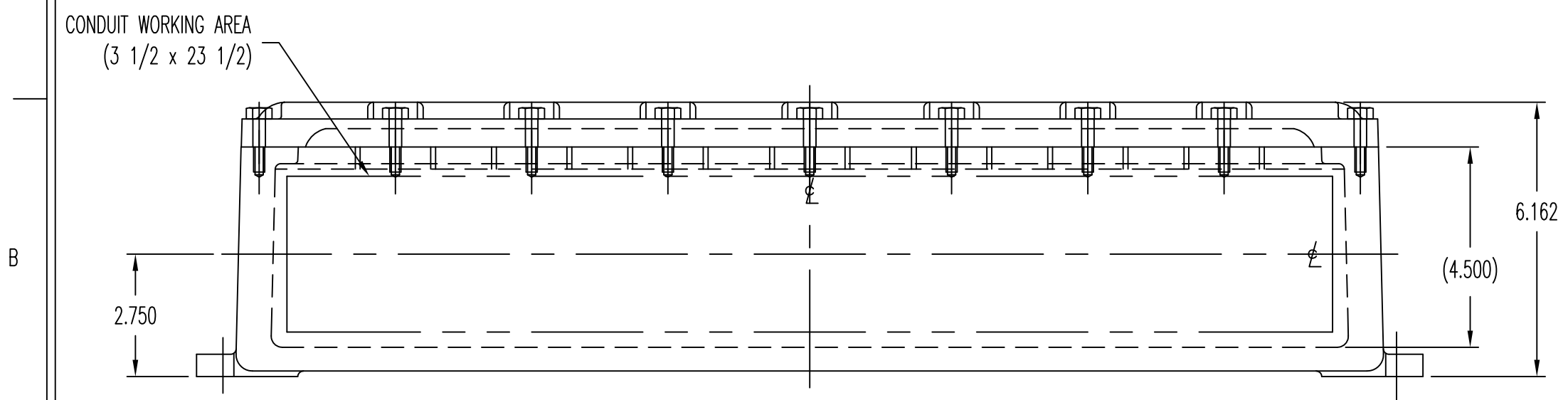
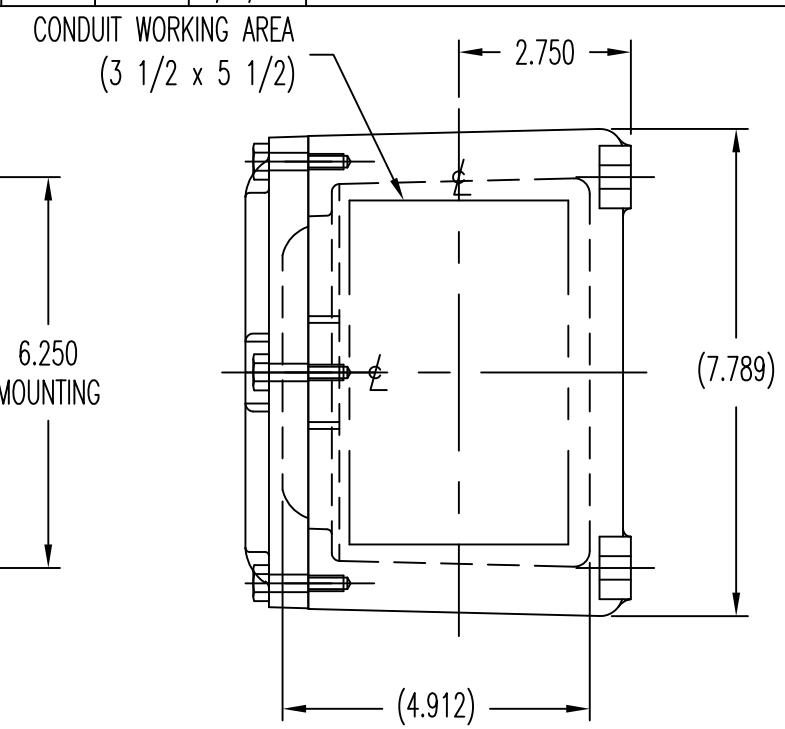
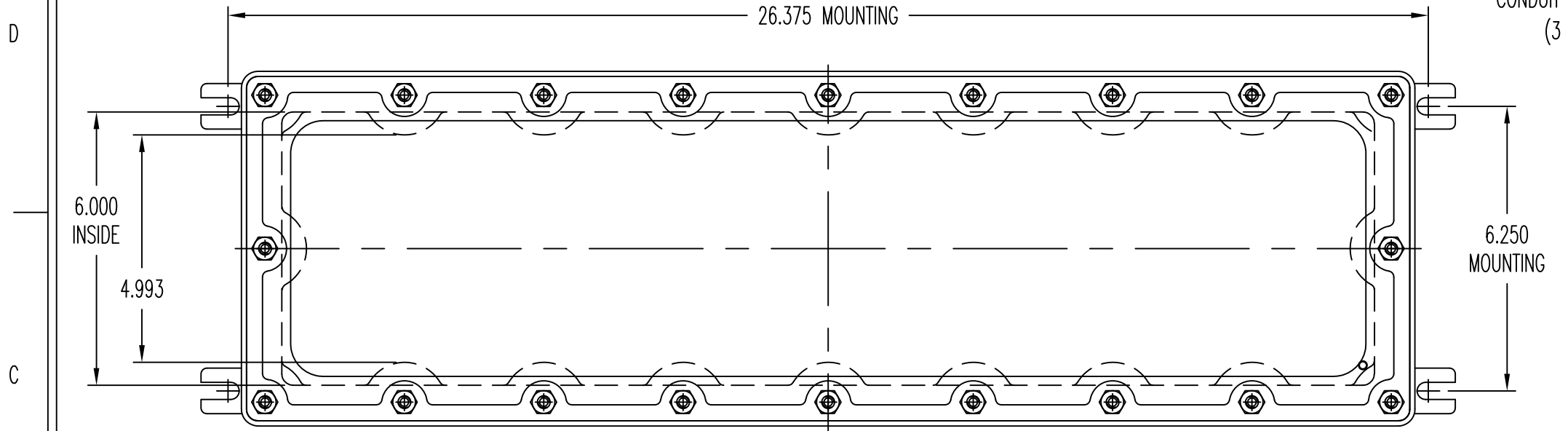


1 2 3 4

REVISION				
REV.	ECO	REV. BY	DATE	DESCRIPTION
A	-	SMS	01/11/2000	RELEASE TO PRODUCTION




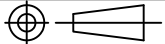
DIMENSIONAL TOLERANCES
Unless Otherwise Specified

.X ±0.015
.XX ±0.010
.XXX ±0.005

ANG. ±1/2°
FRAC. ±1/64
DO NOT SCALE DRAWING
REMOVE ALL BURRS

DWG. FILE AXI6244

THIS DRAWING IS THE PROPERTY OF THE AKRON ELECTRIC INC. AND IS ISSUED TO THE RECIPIENT WITH THE UNDERSTANDING THAT IT SHALL NOT BE COPIED, DUPLICATED, PASSED ON TO OTHER PARTIES, NOR USED FOR ANY PURPOSE OTHER THAN THAT FOR WHICH IT IS SPECIFICALLY FURNISHED EXCEPT WITH OUR WRITTEN PERMISSION.

ITEM	QTY.	PART NO.	PART NAME	DESCRIPTION
 AKRON ELECTRIC, INC. AKRON, OHIO				
DRAWN	SMS	CHKD. BY	SCALE 1=3	PROJECTION 
DATE	01/22/2001	DATE CHKD.	CAT. NO. AXI/CXI 6244	PAGE 1 OF 1
DESC. AXI/CXI 6244				
TITLE OUTLINE / LAYOUT - AXI/CXI 6244				
MATERIAL AL 357		DWG. NO. 6244		REV. -

D
C
B
A