

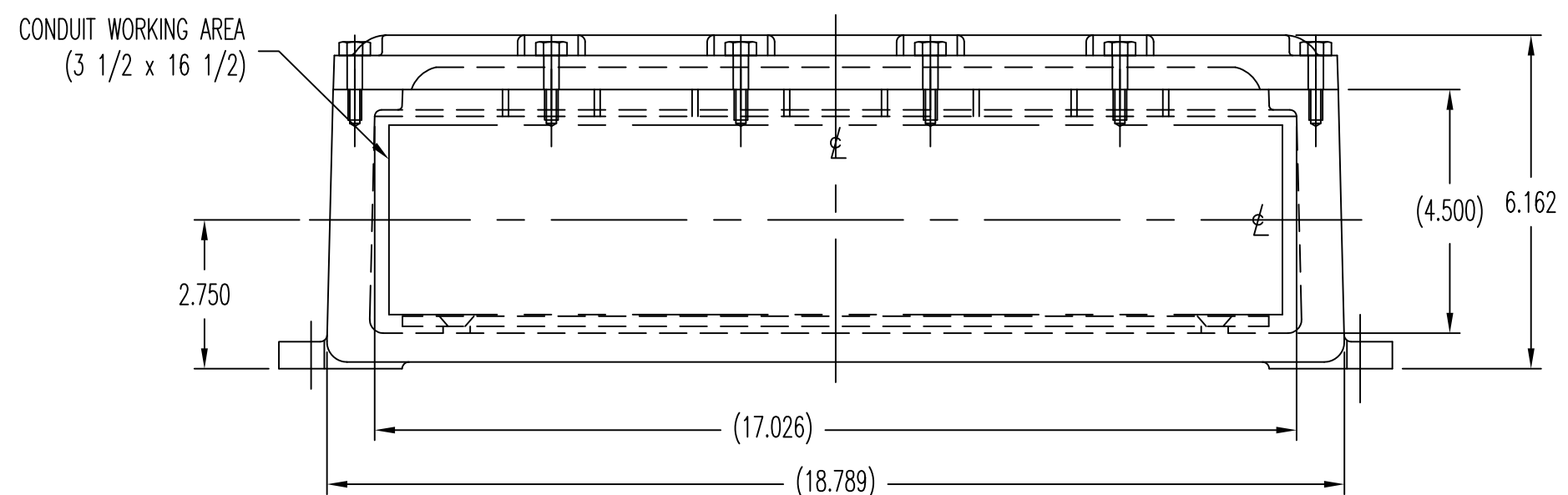
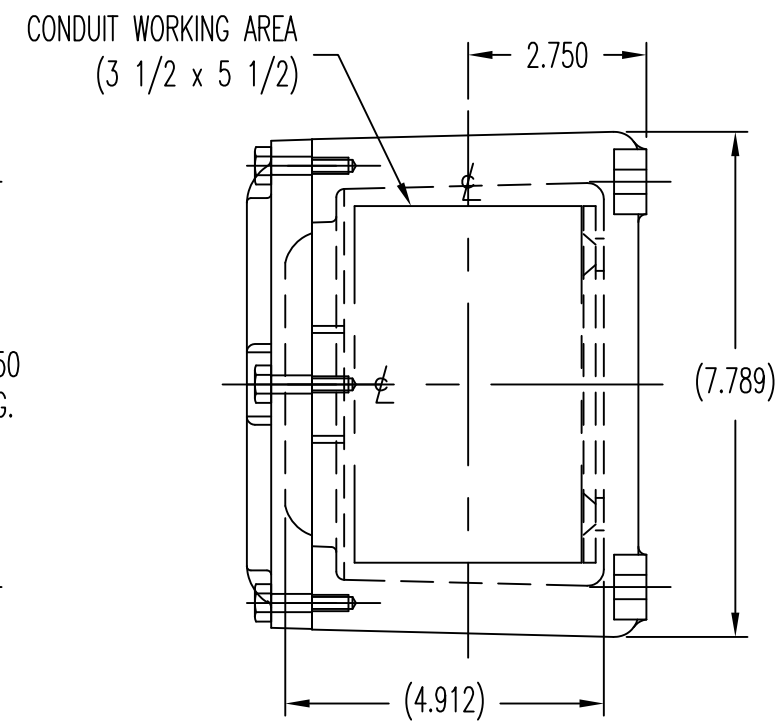
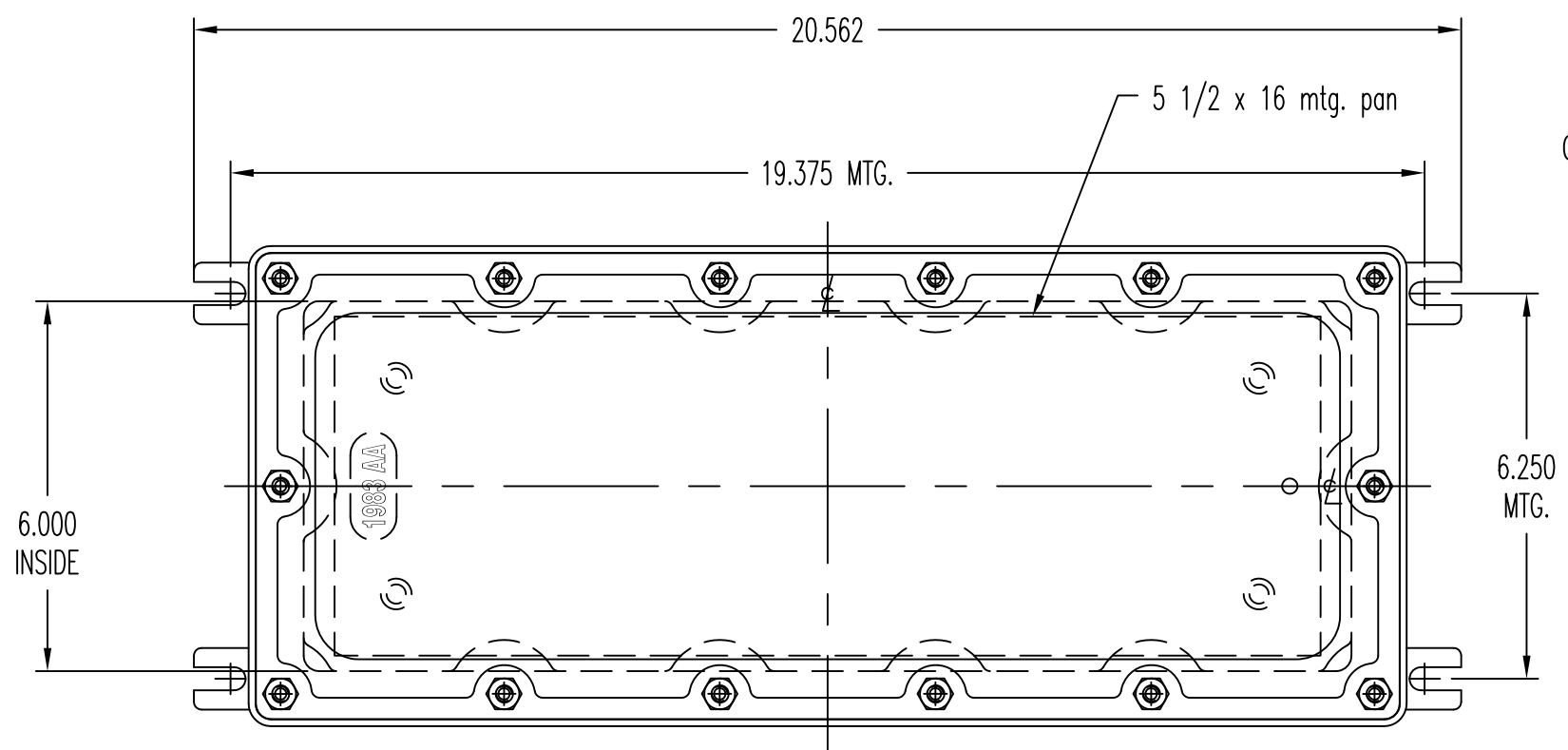
1

2

3

4

REVISION				
REV.	ECO	REV. BY	DATE	DESCRIPTION
A	-	SMS	01/19/2001	-



DIMENSIONAL TOLERANCES
Unless Otherwise Specified

.X	±0.015
.XX	±0.010
.XXX	±0.005

ANG. ±1/2°
FRAC. ±1/64
DO NOT SCALE DRAWING
REMOVE ALL BURRS

THIS DRAWING IS THE PROPERTY OF THE AKRON ELECTRIC INC. AND IS ISSUED TO THE RECIPIENT WITH THE UNDERSTANDING THAT IT SHALL NOT BE COPIED, DUPLICATED, PASSED ON TO OTHER PARTIES, NOR USED FOR ANY PURPOSE OTHER THAN THAT FOR WHICH IT IS SPECIFICALLY FURNISHED EXCEPT WITH OUR WRITTEN PERMISSION.

DWG.FILE AXI6174

ITEM	QTY.	PART NO.	PART NAME	DESCRIPTION
AKRON ELECTRIC, INC. AKRON, OHIO				
DRAWN	SMS	CHKD. BY	SCALE 1=3	PROJECTION
DATE	01/19/2001	DATE CHKD.	CAT. NO. AXI/CXI 6174	PAGE 1 OF 1
DESC.			AXI / CXI 6174	
TITLE OUTLINE / LAYOUT - AXI/CXI 6174				
MATERIAL	AL 357	DWG. NO.	6174	REV. A