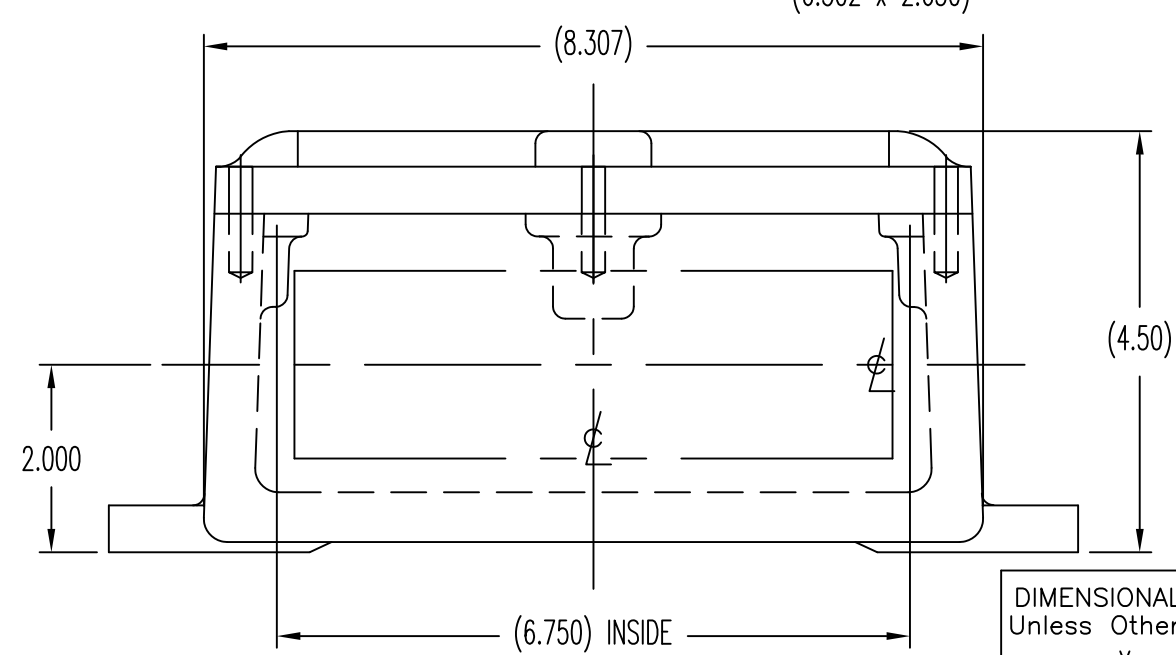
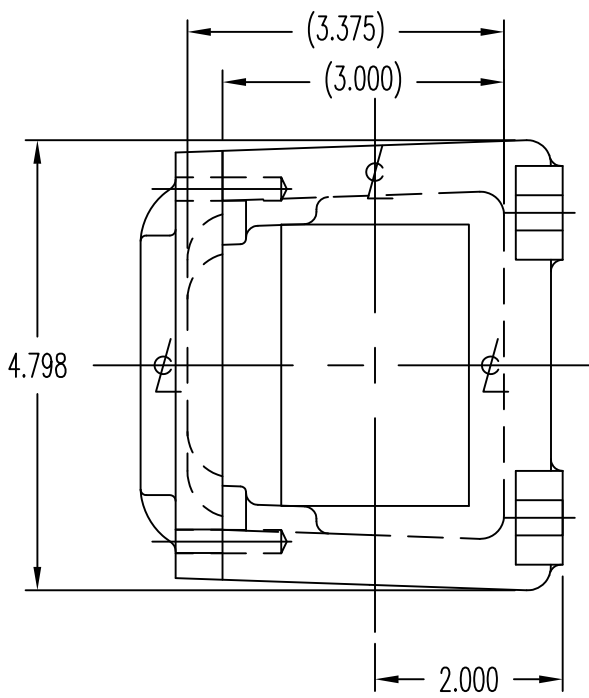
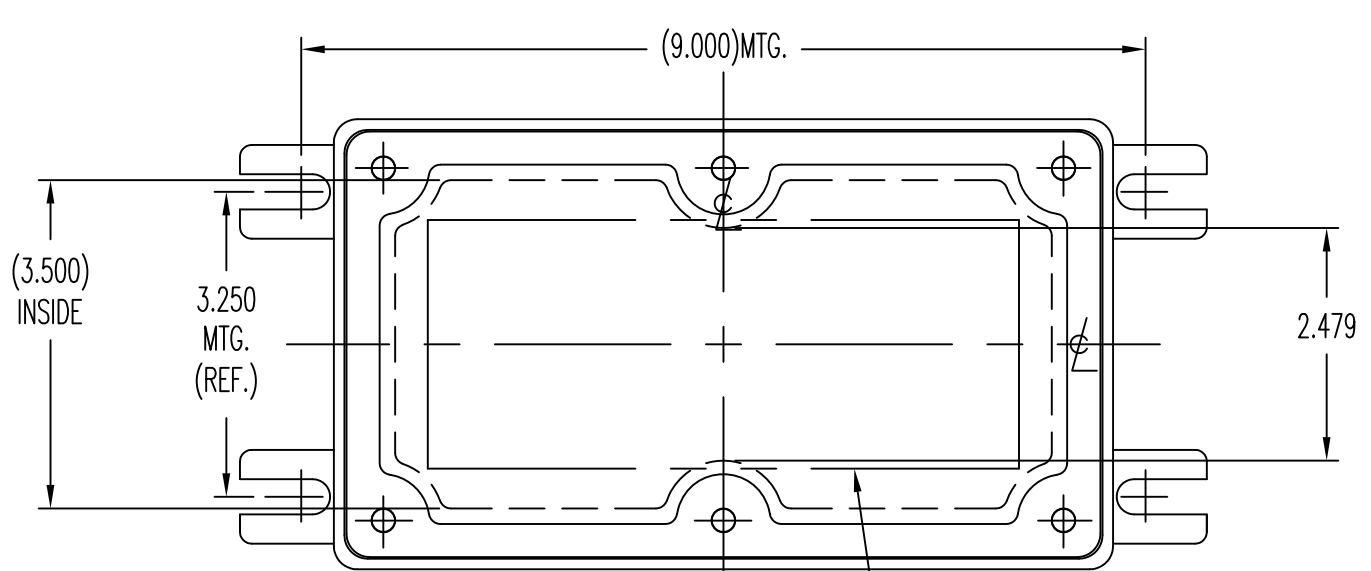


1 2 3 4

REVISION				
REV.	ECO	REV. BY	DATE	DESCRIPTION
B	-	SMS	08/24/1999	REDRAWN TO NEW FORMAT



COVER WORKING AREA
(6.302 x 2.650)

DIMENSIONAL TOLERANCES
Unless Otherwise Specified


- .X ±0.015
- .XX ±0.010
- .XXX ±0.005

ANG. ±1/2°
FRAC. ±1/64

DO NOT SCALE DRAWING
REMOVE ALL BURRS

DWG. FILE AXI373.dwg

THIS DRAWING IS THE PROPERTY OF THE AKRON ELECTRIC INC. AND IS ISSUED TO THE RECIPIENT WITH THE UNDERSTANDING THAT IT SHALL NOT BE COPIED, DUPLICATED, PASSED ON TO OTHER PARTIES, NOR USED FOR ANY PURPOSE OTHER THAN THAT FOR WHICH IT IS SPECIFICALLY FURNISHED EXCEPT WITH OUR WRITTEN PERMISSION.

ITEM	QTY.	PART NO.	PART NAME	DESCRIPTION
 AKRON ELECTRIC, INC. AKRON, OHIO				
DRAWN SMS		CHKD. BY		SCALE 1=2
DATE 08/24/1999		DATE CHKD.		CAT. NO. CXI/AXI 373
DESC. AXI/CXI 373				
TITLE OUTLINE / LAYOUT - AXI/CXI 373				
MATERIAL AL 357		DWG. NO. AXI373		REV. B

D
C
B
A