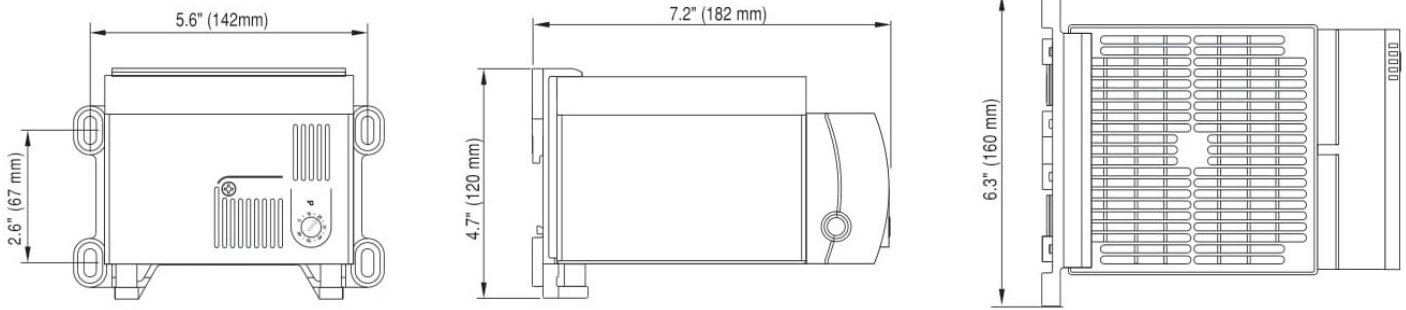




Panel Mount Fan Heater



Technical Data

Heating Element	High performance cartridge (950W) PTC resistor - temperature limiting (1200W)
Temperature Safety Cut-Out	With automatic reset and second-tier one shot fuse to protect against overheating in case of fan failure
Heater Body	Extruded aluminum profile (950W)
Axial Fan, Ball Bearing	Airflow 160 m ³ /h, free flow service life 50,000h at +25°C (+77°F)
Connection	2-pole max. 2.5mm ² , clamping screw with strain relief, torque 0.8 Nm max.
Casing	Plastic according to UL94 V-0, black
Mounting	Clip for 35mm DIN rail, EN 60715 or screw fixing (M6)
Fitting Position	Vertical airflow (air outlet open)
Dimensions	182 x 168 x 99mm (950W), 182 x 168 x 120mm (1200W)
Weight	Approx 1.5kg (950W), 1.3kg (1200W)
Operating* / Storage Temp.	-45 to +70°C (-49 to +158°F)
Operating / Storage Humidity	Max. 90% RH (non-condensing)
Protection Type / Class	IP20 / II (double insulated)
Note	Other heating capacities from 200W up available on request

*Operating temperature of heater with integrated hygrostat: 0 to +60°C (+32 to +140°F)

Part No.	Model	Operating Voltage	Heating* Capacity	Inrush Current (max)	Recommended Pre-Fuse T (time delay)	Setting Range**
13051.0-00	Fan heater with thermostat	AC 230V, 50/60 Hz	950W	-	6.3A	0 to +60°C
13051.0-02	Fan heater with hygrostat	AC 230V, 50/60 Hz	950W	-	6.3A	65% RH, factory-set
13059.9-00	Fan heater with thermostat	AC 120V, 50/60 Hz	950W	-	10.0A	+32 to 140°F
13060.0-00	Fan heater with thermostat	AC 230V, 50/60 Hz	1200W	13.0A	10.0A	0 to +60°C
13060.9-00	Fan heater with thermostat	AC 120V, 50/60 Hz	1200W	16.0A	16.0A	+32 to 140°F

*At +20°C (+68°F) ambient temperature

** Switch temperature difference 7K (±4K tolerance)

***According to UL 508A, NITW file on request