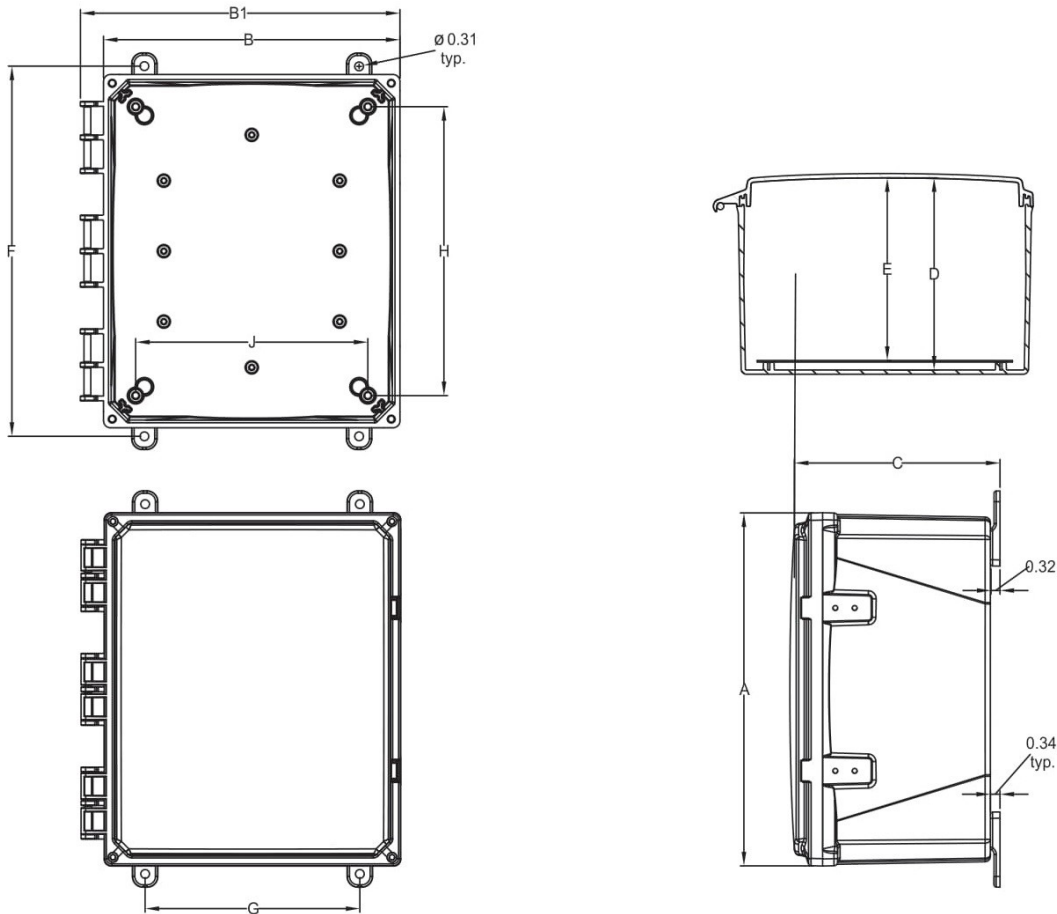




NMHC Series Non Metallic Hinged Cover Enclosure



Solid Cover	Clear Cover	Dimensions								Optional Panels			
		A	B	B1	C	D	E	F	G	Steel	Aluminum	Size	H x J
NMHC-100802	NMHC-100802-C	10.5	8.5	9.44	3.45	2.69	2.35	11.25	6.25	SP-1008	AP-1008	8.75 x 6.88	8.25 x 6.25
NMHC-060604	NMHC-060604-C	6.5	6.5	7.4	5.2	4.75	4.25	7.1	3.6	SP-0606	AP-0606	4.88 x 4.88	4.25 x 4.25
NMHC-080604	NMHC-080604-C	8.44	6.44	7.36	5.2	4.75	4.25	8.75	4	SP-0806	AP-0806	6.75 x 4.88	6.25 x 4.25
NMHC-080804	NMHC-080804-C	8.4	8.5	9.3	5.2	4.75	4.25	9.45	5.2	SP-0808	AP-0808	6.75 x 6.75	6.25 x 6.25
NMHC-100804	NMHC-100804-C	10.5	8.5	9.3	5.2	4.75	4.25	11.1	5.63	SP-1008	AP-1008	8.75 x 6.88	8.25 x 6.25
NMHC-121004	NMHC-121004-C	12.5	10.5	11.5	5.2	4.75	4.25	12.75	8	SP-1210	AP-1210	10.75 x 8.88	10.25 x 8.25
NMHC-100806	NMHC-100806-C	10.5	8.5	9.3	7.25	6.75	6.25	11.1	5.63	SP-1008	AP-1008	8.75 x 6.88	8.25 x 6.25
NMHC-121006	NMHC-121006-C	12.5	10.5	11.5	7.25	6.75	6.25	13.13	7.6	SP-1210	AP-1210	10.75 x 8.88	10.25 x 8.25
NMHC-141206	NMHC-141206-C	14.58	12.58	13.5	7.3	6.75	6.25	14.75	10	SP-1412	AP-1412	12.75 x 10.88	12.25 x 10.25
NMHC-161407	NMHC-161407-C	16.5	14.5	15	8.5	8	7.5	16.75	12	SP-1614	AP-1614	14.75 x 12.88	14.25 x 12.25
NMHC-181610	NMHC-181610-C	19	17	17.75	11.5	11	10.5	18.75	14	-	AP-1816	16.75 x 14.88	16.25 x 14.25

For additional product information or specific drawings, contact:
RALSTON METAL PRODUCTS LTD., GUELPH ON
CUSTOMER SERVICE DEPT. 1-800-265-7611