



## NEMA/EEMAC Type 4, 4X MIP Series Accessories

### INSULATED VENTILATION DEVICE

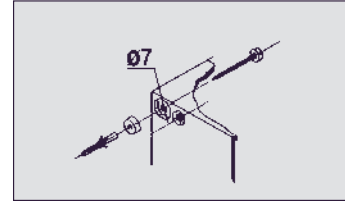
**DV - SMALL UNIT**  
1" H x 1" W

**DVG - LARGE UNIT**  
2 3/4" H x 2' W



### WALL MOUNTING

**TF-MIP** Direct wall mounting by means of 4 insulated screws



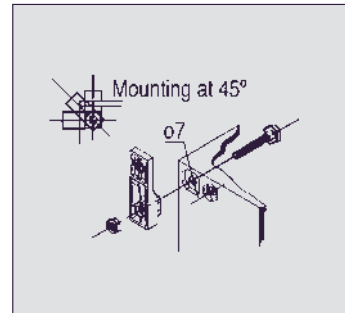
### DRAIN VALVE

**DP** Used for draining condensation. Suitable for all boxes. Hole  $\varnothing$  23 mm.

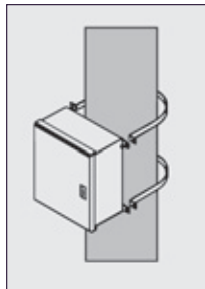


### POF

Group of 4 wall brackets that allow the insertion of wires, and tubes between the enclosure and wall.

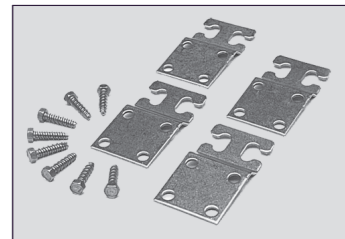


### POLE MOUNTING



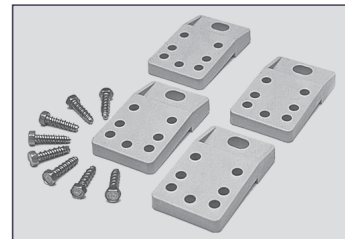
### UWMB-01

304 Stainless feet for UCP



### UWMB-02

Non Metallic feet for UCP



	Part #
For Cabinets 250 mm width	FP-250
For Cabinets 300 mm width	FP-300
For Cabinets 400 mm width	FP-400
For Cabinets 500 mm width	FP-500
For Cabinets 600 mm width	FP-600

(Not for UCP enclosure.)