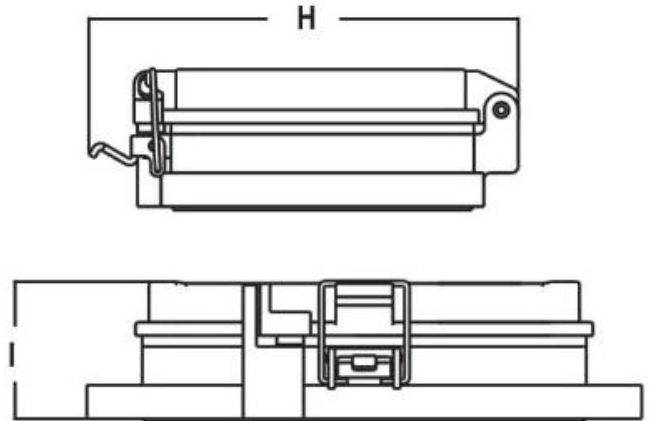
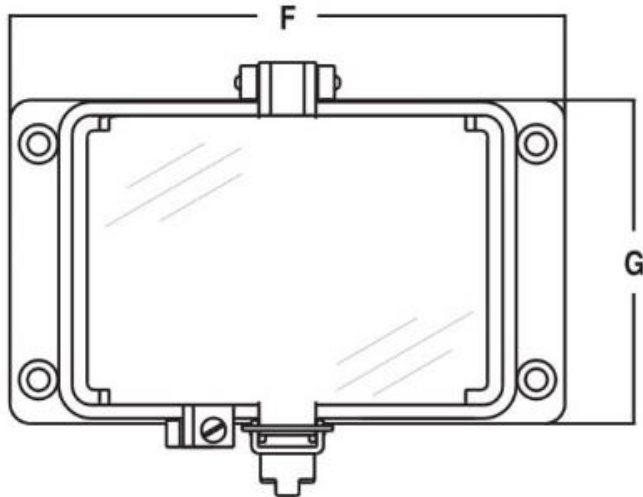




Inspection & Protection Covers



Housing Code: B



Housing Code: F



Housing Code: H



Housing Code: K



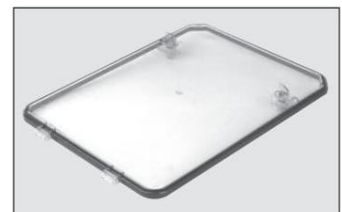
Housing Code: M

Part No. Type 12/4	Part No. Type 4X	Housing Code	Wt (oz.)	Overall Dimensions - inches (mm)				Viewing Area Width
				F	G	H	I	
H-X-B3	H-X-B2	B	3.8	3.15 (80)	1.7 (43.6)	3.2 (81.2)	1.65 (42.3)	2.1 (54)
H-X-F3	H-X-F2	F	5.1	4.4 (113)	1.7 (43.6)	3.2 (81.2)	1.65 (42.3)	3.4 (87)
H-X-H3	H-X-H2	H	5.9	5.5 (140)	1.7 (43.6)	3.2 (81.2)	1.65 (42.3)	4.6 (116)
H-X-K3	H-X-K2	K	10.8	5.1 (129)	3.5 (90)	4.8 (121.6)	1.65 (42.3)	3.5 (90)
H-X-M3	H-X-M2	M	13.2	6.5 (165)	3.8 (96)	5.0 (127.6)	1.65 (42.3)	5 (127)

INSPECTION COVERS (Padlockable)

Part No.	Mounting	Size		
		H	W	D
TR-4	*	77	94	15
		3.3	3.7	0.59
TR-4A	*	77	94	25
		3.3	3.7	0.98
TR-6	*	77	130	15
		3.3	5.1	0.59
TR-6A	*	77	130	25
		3.3	5.1	0.98
TR-8	*	77	163	15
		3.3	6.4	0.59
TR-8A	*	77	163	25
		3.3	6.4	0.98
TR-10	*	77	200	15
		3.3	7.9	0.59

Part No.	Mounting	Size		
		H	W	D
TR-10A	*	77	200	25
		3.3	7.9	0.98
TR-12	*	77	233	15
		3.3	9.2	0.59
TR-12A	*	77	233	25
		3.3	9.2	0.98
TR-16	**	195	165	15
		7.7	6.5	0.59
TR-24	**	195	233	15
		7.7	9.2	0.59
TR-312	**	240	240	15
		9.4	9.4	0.59
TR-317	**	240	324	15
		9.4	13	0.59



* = Mounted on hinged frame
** = Mounted on two hinge pins

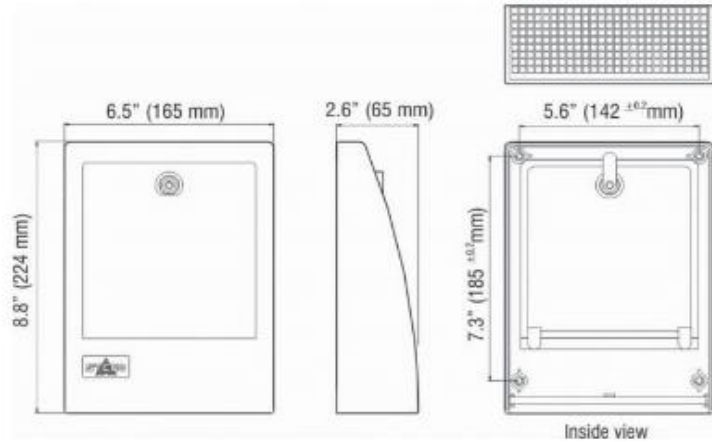
For additional product information or specific drawings, contact:
RALSTON METAL PRODUCTS LTD., GUELPH, ON CUSTOMER
SERVICE DEPT. 1-800-265-7611

Inspection & Protection Covers



LARGE INSPECTION COVER

Part No.	External Dimension		Internal Dimension		Depth
	H	W	H	W	
H-X-YD7	10.5 (266.7)	8.72 (221)	8.47 (215.2)	6.69 (170)	2.27 (58)
H-X-YA7	12.5 (317.5)	10.72 (272)	10.47 (266)	8.69 (220.8)	2.27 (58)
H-X-YC7	14.5 (368.3)	12.72 (323)	12.48 (357.7)	10.71 (357.7)	2.20 (56)
H-X-YE7	16.5 (419.1)	14.72 (374)	14.49 (368)	12.71 (322.8)	2.20 (56)
H-X-YF7	20.5 (521)	16.72 (425)	18.49 (470)	14.71 (374)	2.27 (58)



MULTI-PURPOSE PROTECTION COVER

Part No.		H	W	D
08611.0-00	in	8.8	6.5	2.6
	mm	224	165	66