



Ralston
Metal Products Limited

You create the need.
We customize the solution.

P95 Series, NEMA Type 12 Oil and Dust Tight Floor Pedestals

APPLICATION

Ralston's P95 series columns and bases are designed to floor mount C88 series consoles and PB90 series push button consoles in industrial environments containing dust, dirt, and oil.

CONSTRUCTION

P95 columns are made from 14 ga. hot rolled steel and have continuously welded seams ground to a smooth finish. One piece 11 ga. flanges are welded to each end, and columns come complete with solid neoprene gaskets, screws and connector flanges for base and enclosure mounting. The column acts as a wireway with an access opening and gasketed cover plate. P95 bases are made from reinforced 11 ga. hot rolled steel and come complete with column mounting holes and levelling screws. The bases are interchangeable with either size column.

PAINT FINISH

All columns and bases are phosphatized and finished with ANSI/ASA 61 grey polyester powder coating.

STANDARDS

P95 floor pedestals are built to the requirements of NEMA type 12 and 13 enclosures.

SPECIAL ORDERS

Custom units made from stainless steel or with special finishes, sizes or punching can be supplied on order

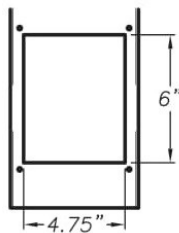
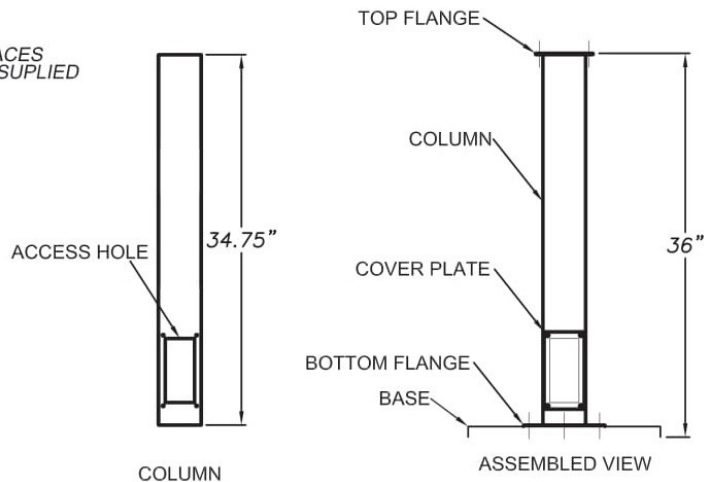
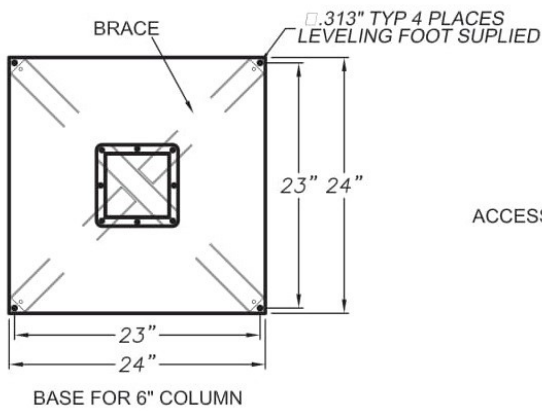
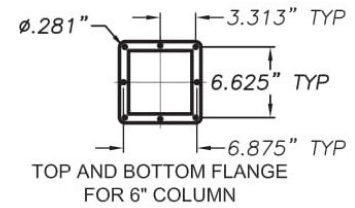
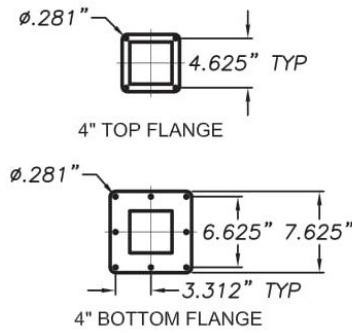
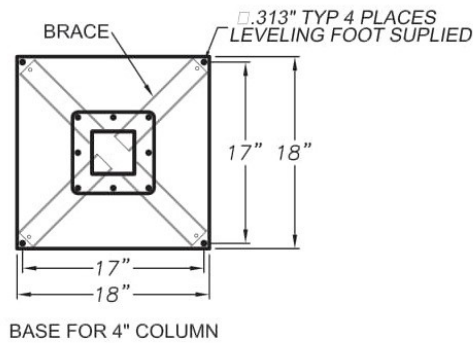


Part No.	Dimensions
Column	
P95-0404C	4" x 4" x 34.75"
P95-0606C	6" x 6" x 34.75"
Base	
P95-1818B	18" x 18" x 1.125"
P95-2424B	24" x 24" x 1.125"

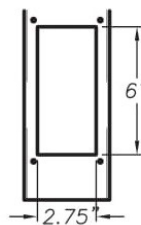
For additional product information or specific drawings, contact:
RALSTON METAL PRODUCTS LTD., GUELPH, ON
CUSTOMER SERVICE DEPT. 1-800-265-7611



P95 Series, NEMA Type 12 Oil and Dust Tight Floor Pedestals



ACCESS DETAIL
FOR 6" COLUMN



ACCESS DETAIL
FOR 4" COLUMN

